

# Installation Instructions for 72KC-75KC Key-in-Knob Cylinders

These instructions describe how to install a Key-in-Knob Cylinder into a 7KC BEST lever handle. Use these instructions only after completing the installation of the cylindrical chassis. For standard 7KC cylindrical lock installation instructions see T80622 — *Installation Instructions for 72KC-75KC Cylindrical Locks*.

Follow these steps to install the key-in-knob cylinder in a 7KC lever handle.

## 1 Assemble and install key-in-knob cylinder

- 1 From the bag of keys, cylinders, and throw members, keep only the shortest throw member. Discard the other throw members — they will not be needed.
- 2 Remove the outside lever if it's not already off.
- 3 Assemble the key-in-knob cylinder as shown in Figure 1.

**Note 1:** Make sure that the throw member blade is installed aligned with the cylinder 'bible' as shown in Figure 1. This prevents unauthorized removal of the cylinder.

**Note 2:** Do not disassemble the cylinder with the key inserted. Doing so may cause the pins to fall out.

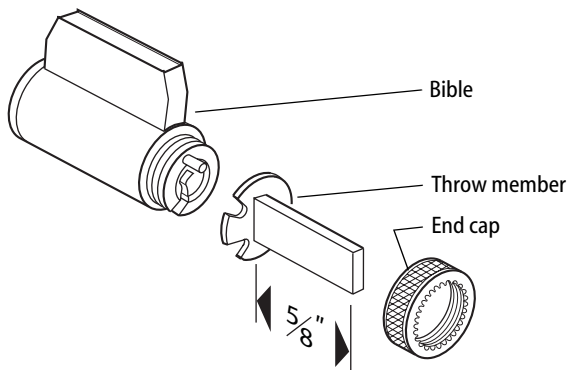


Figure 1 Assembling the throw member to the key-in-knob cylinder

- 4 Install the key-in-knob cylinder assembly into the handle. See Figure 2.

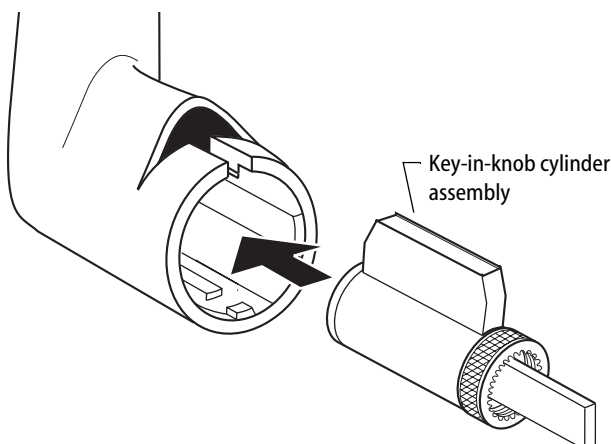


Figure 2 Installing the key-in-knob cylinder assembly

## 2 Install the lever insert and lever handle

- 1 Install the lever insert as shown in Figure 3. Make sure that the lever insert is completely seated.

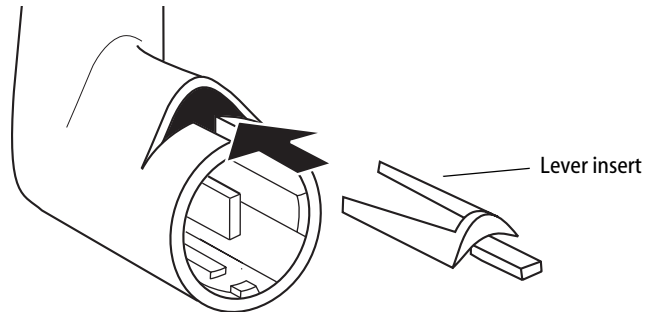
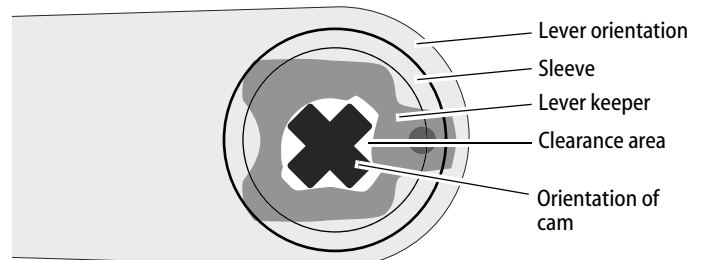


Figure 3 Installing the lever insert

### For R function locks only

- Turn the cam counterclockwise until it stops, then rotate clockwise 45 degrees (or until it aligns with the clearance area on the lever keeper). See Figure 4.



**Looking head-on into the outside sleeve, with the latch to be on the right**

Figure 4 Orienting the cam 45 degrees and in line with the lever keeper

### For all function locks

- 2 Insert the key into the cylinder.

### For R function locks only

- Turn the key 45 degrees clockwise.

### For all function locks

- 3 Push on the lever handle until it stops.
- 4 Push the lever on until it is completely seated.
- 5 Remove the key from the cylinder.

## 3 Removing the lever

### For R function locks only

- Insert the key into the cylinder and turn the key 45 degrees.

### For all function locks

- 1 Depress the keeper with a tool.
- 2 Remove the lever.