

# Installation Specifications for Door and Frame Preparation for 64K, 84K, 74KC and 94K Cylindrical Locks with Small Strike (STK)

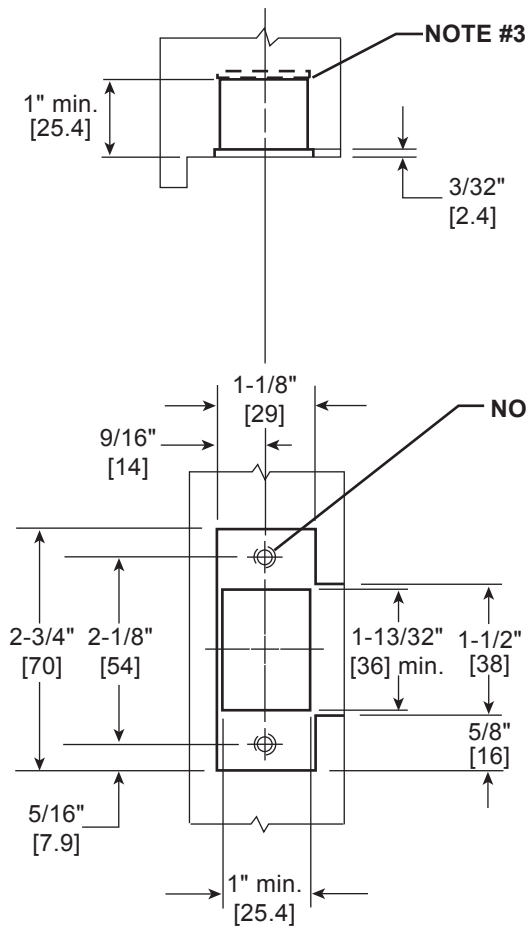
**Template Number:** K10  
**Series:** 64K, 84K, 74KC, 94K  
**Backset:** 3-3/4" [95]  
**Strike:** Small ANSI Strike (STK)  
**Door Thickness:** 1-3/4" [44]



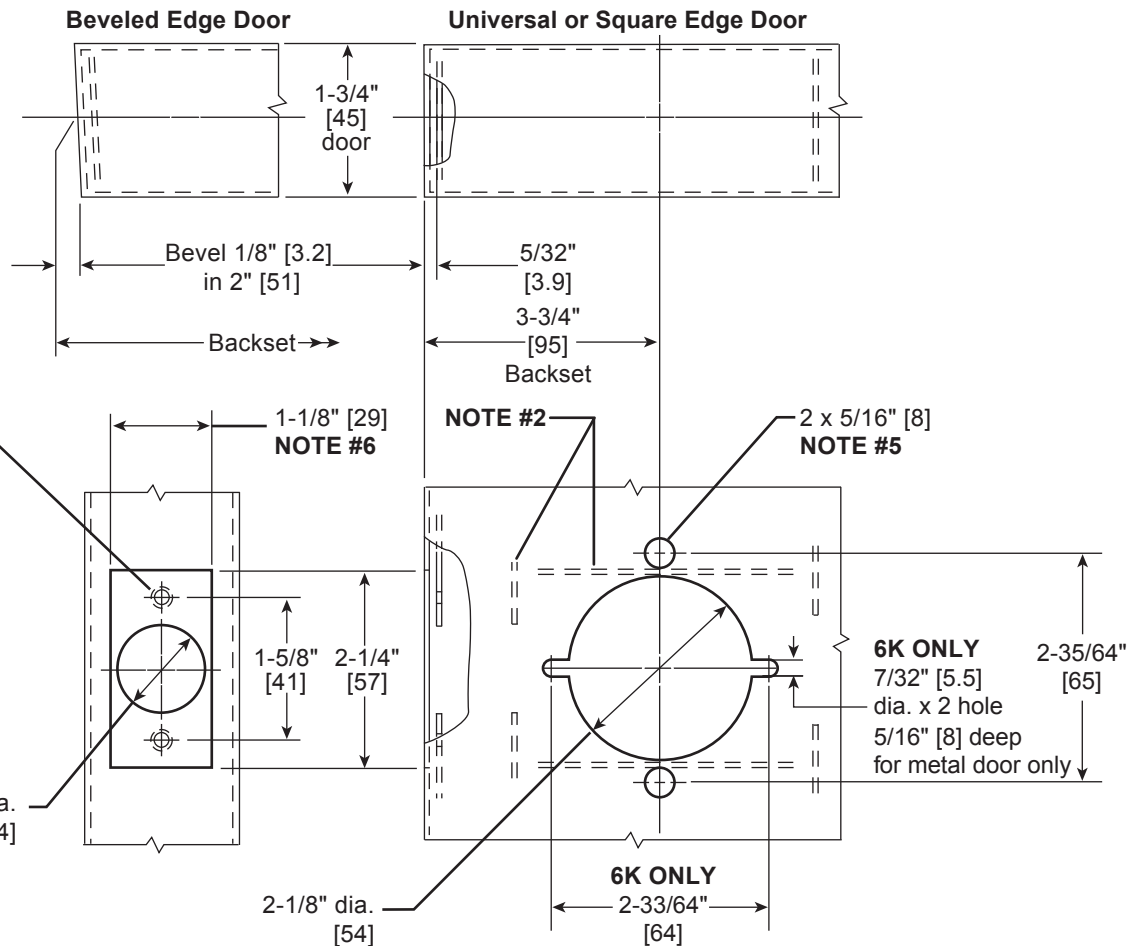
For online instructions, assistance or warranty information:  
 Call 1-800-392-5209 or visit <https://dhwsupport.dormakaba.com/hc/en-us>

## NOTES

- 1 Allow plus tolerance for clearance per ANSI A115.2.
- 2 Lock and latch case support by door manufacturer.
- 3 Plaster guard by door manufacturer.
- 4 Prepare for a #8-32 screw.
- 5 For 74KC and 94K ONLY! The 64K and 84K "C" style roses will **NOT** cover these holes.
- 6 For 64K only, a 1" [25.4] latch face is available.



**Frame Preparation**



**3-3/4" [95] Backset Door Preparation**