

Installation Specifications for 4S74 Sliding Door Lock

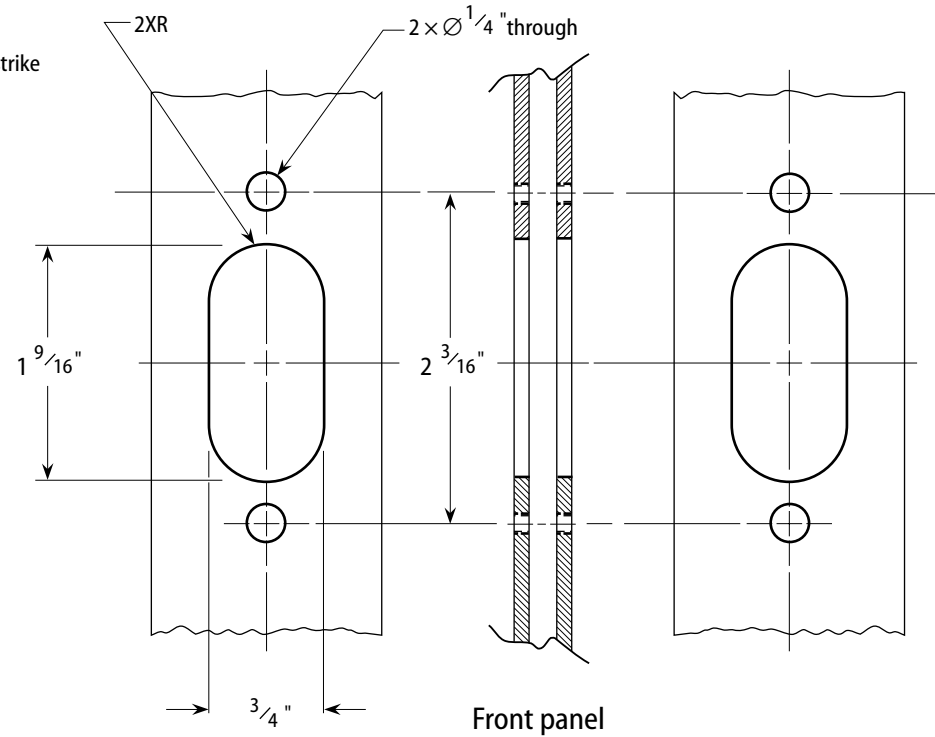
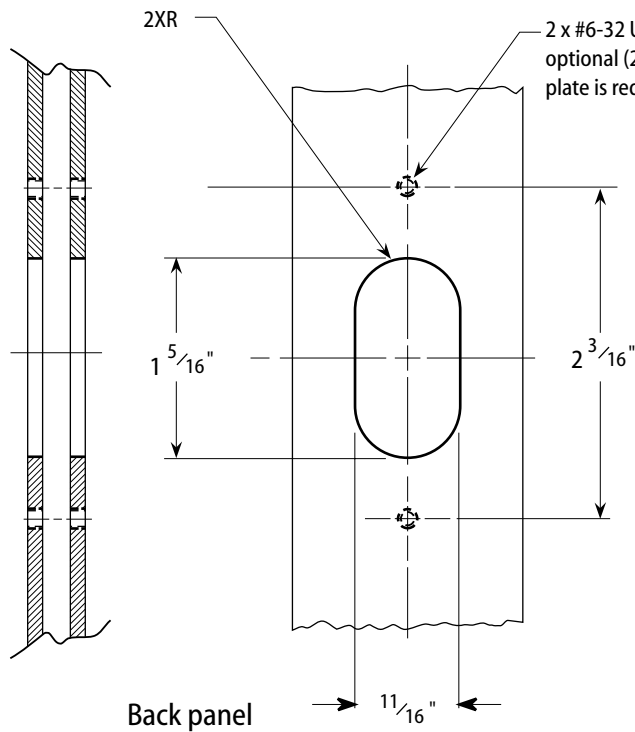
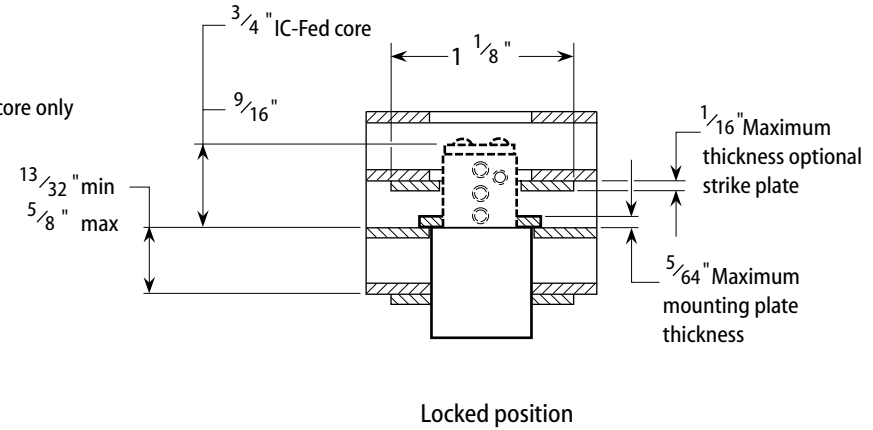
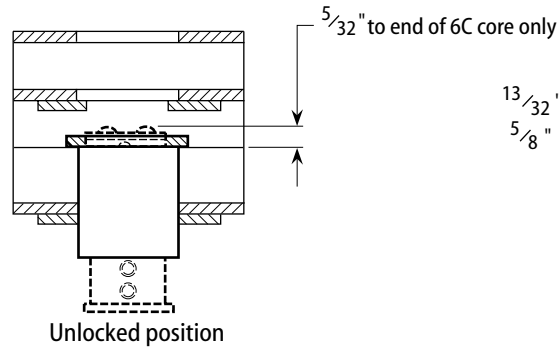
Template Number: S13
Series: 4S
Door Thickness: 1 3/32" - 5/8"



Metal Door

Notes

- 1 Allow plus 1/32" tolerance for clearance.
- 2 Locate the lock at the top or bottom of sliding doors.



Wood Door

Notes

- 1 Allow plus 1/32" tolerance for clearance.
- 2 Locate the lock at the top or bottom of sliding doors.

