

Installation Specifications for 45HW & 47HW Electrified Mortise Locks

Template Number: H19
 Series: 45HW & 47HW
 Backset: 2 3/4"

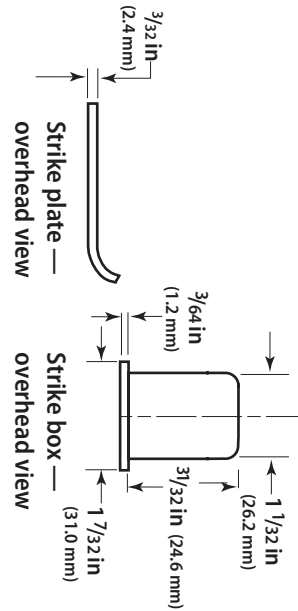
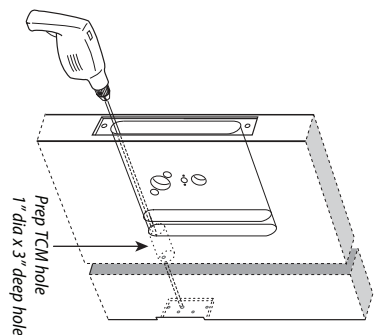
Trim Style: H, J, M, N, R, S
 Door Thickness: 1-3/4" to 5"
 *Template not to scale



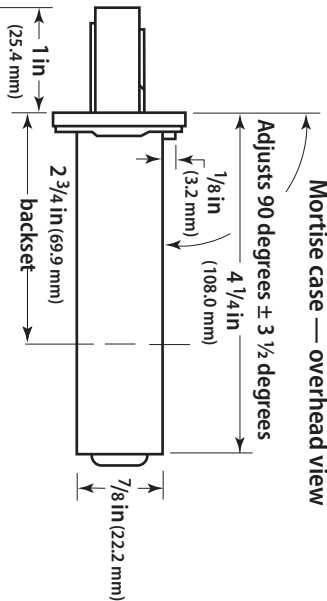
Notes

1. Before drilling, check the H15 Template: Installation Template for 45H & 47H Mortise Locks and 45HW & 47HW Electrified Mortise Locks (T81163).
2. The maximum door-to-frame gap is 3/16" (4.8mm).
3. Allow 3/64" (1.2mm) clearance for the strike box thickness.
4. For metal doors, lock case support is required from the door manufacturer.
5. Tap for a #12-24 machine screw or drill for a #12 wood screw (a combination screw is supplied)
6. If using an optional magnetic strike box, position the magnet at the top.

7. Lock case holes:
 - C** Cylinder hole - For 45HW Locks, 1 1/8" (32mm) dia. For 47HW Locks, 1 3/4" (45mm) dia.
 - F** Emergency key / thumb turn access hole - 1/2" (13mm) dia.
 - G** Trim mounting hole - 3/8" (10mm) dia. (two required)
 - H** Lever hole - 7/8" (23mm) dia.

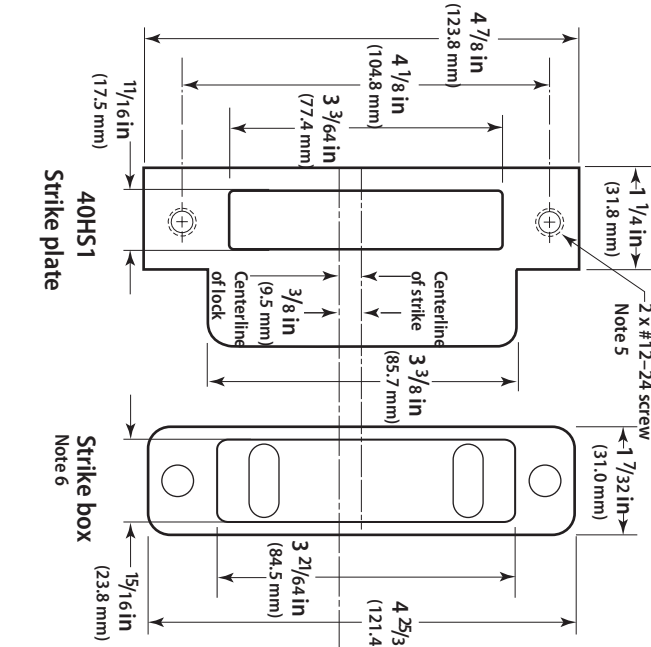


2 x #12-24 screw
 Note 5



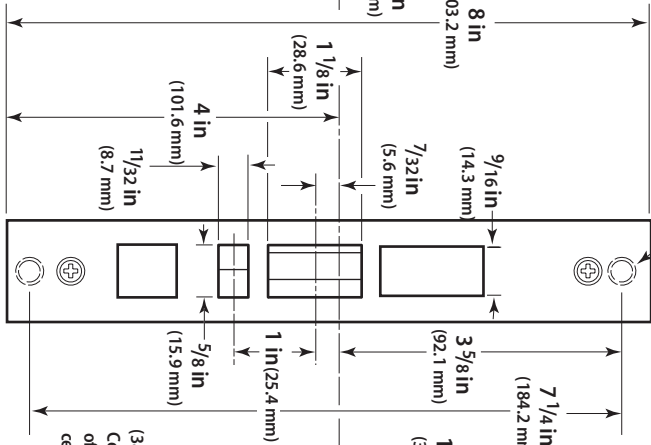
Mortise case — overhead view

Adjusts 90 degrees ± 3 1/2 degrees

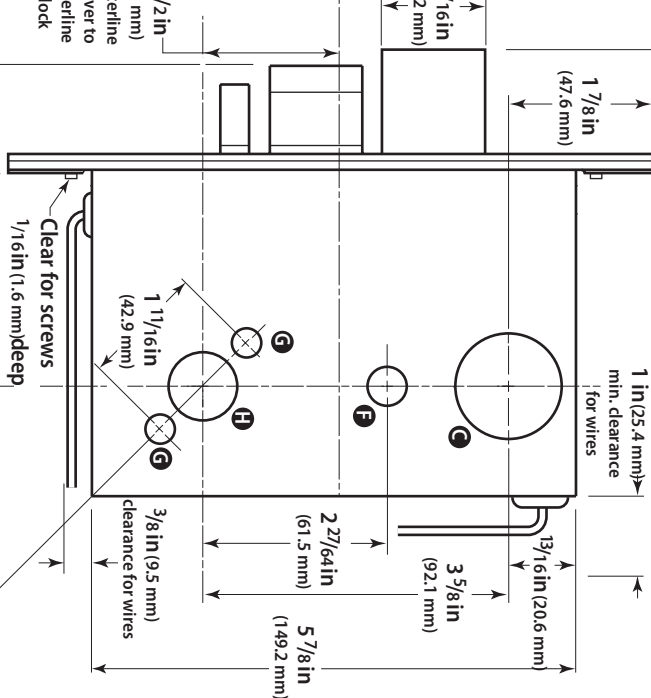


40HS1
 Strike plate
 Note 5

Strike box
 Note 6



Faceplate



Mortise case — side view

*Template not to scale