

Installation Instructions for Electronic Stand-Alone Mortise Locks

Contents

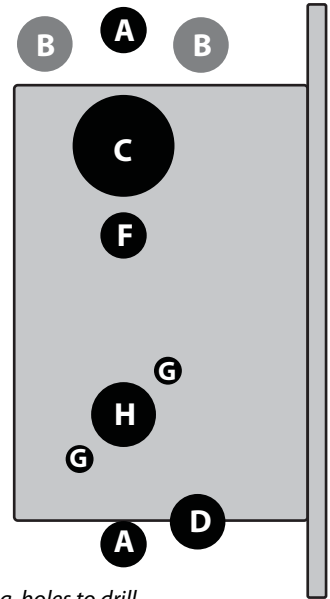
These installation instructions describe how to install your 45HG, 45HBV, and 45HZ Electronic Stand-Alone Mortise Lock. Topics covered include:

Preparing the door 1
 Configuring and installing the mortise case..... 3
 Installing the trim 4
 Completing the installation..... 9

For instructions to install 45HW & 47HW electrified functions, see the *Installation Instructions for 45HW & 47HW Electrified Mortise Locks (T81612)*.

1 Identify holes to drill

- 1 Determine the lock function to be installed.
- 2 Determine the inside and outside, hand, and bevel of the door.
- 3 See the *Holes by Function* table and Figure 1 to determine the holes to be drilled for the lock function.



For hole sizes, see the Template (G11 T81622).

Figure 1 Identifying holes to drill

Functions

Holes by Function Holes to drill	DV		LV		NV		TV	
	I/S	O/S	I/S	O/S	I/S	O/S	I/S	O/S
A Trim Hole (2 holes) [†]	Through door	Through door	Through door	Through door	Through door	Through door	Through door	Through door
B Harness [†]	Through door	Through door	Through door	Through door	Through door	Through door	Through door	Through door
C Standard cylinder		■						■
D Sensor & motor wire	■		■		■		■	
F Thumb turn			■				■	
G Trim mounting (2 holes) [†]	Through door	Through door	Through door	Through door	Through door	Through door	Through door	Through door
H Lever [†]	Through door	Through door	Through door	Through door	Through door	Through door	Through door	Through door

[†] It is recommended to drill all holes that go through the door from both sides for better alignment and to avoid damaging the door upon the drill bit exiting the hole.

Preparing the door

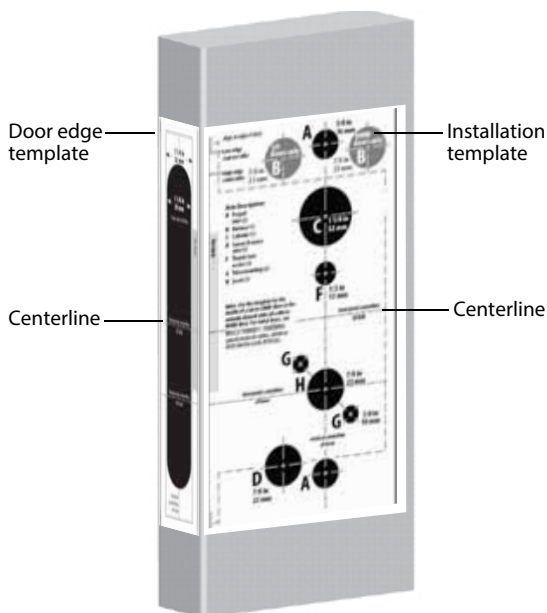


Figure 2 Aligning the templates

2 Align templates

Note: If the door is a fabricated hollow metal door, determine whether it is properly reinforced to support the lock. If door reinforcement is not adequate, consult the door manufacturer for information on proper reinforcement. For dimensions for preparing metal doors, see the G12 Template—Installation Specifications for 45HG/HBV, & 45HZ Mortise Locks (T81623).

- 1 Separate the four templates provided on the G11 Template—Installation Template for 45HG/HBV & 45HZ Mortise Locks (T81622).
- 2 Position one of the door edge templates on the door, making sure that the lock case mortise shown on the template aligns with the mortise pocket prepared in the door.
- 3 Using the centerlines on the door edge template as a guide, position the appropriate door template on each side of the door. You need to take the bevel into account. Tape the templates to the door.

3 Center punch and drill holes

- 1 Center punch the necessary drill points. See the instructions on the template.
- 2 Drill the holes.

Note 1: To locate the center of a hole on the opposite side of the door, drill a pilot hole completely through the door.

Note 2: For holes through the door, it is best to drill half-way from each side of the door to prevent the door from splintering.

Configuring & installing the mortise case

4 Rotate latchbolt (if necessary)

Note: If a function specific mortise case was ordered, some steps for configuring the case have already been performed at the factory.

- 1 Determine whether you need to rotate the latchbolt to match the handing of the door.

Note: The angled surface of the latchbolt must contact the strike when the door closes.

- 2 If you need to rotate the latchbolt, insert a flat blade screwdriver into the latch access point approximately 1/2" into the case and press to extend the latch out of the case. See Figure 4.
- 3 Rotate the latchbolt 180 degrees and allow it to retract into the case.

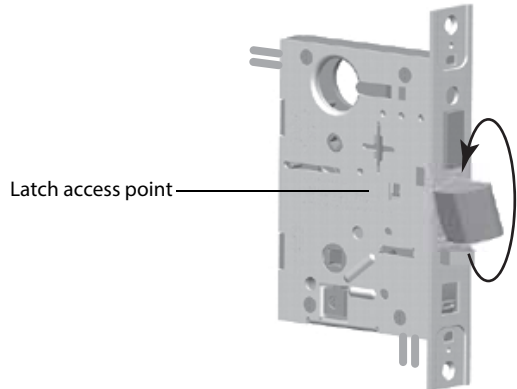


Figure 4 Rotating the latchbolt

5 Position hub toggles (if necessary)

- 1 Check whether the hub toggles are in the proper position for the lock. See the table below and Figure 5.

Hub toggle positions

Function	Hub toggle positions
DV, LV, NV, TV	Inside down (always unlocked) & outside up (lockable)

Note: For LH & LHRB doors, the inside is the back side of the case and the outside is the cover side of the case. For RH & RHRB doors, the inside is the cover side of the case and the outside is the back side of the case. The cover is mounted to the case with four screws.

- 2 To change the position of a hub toggle, remove the toggle screw, move the toggle into the desired position, and re-tighten the screw.

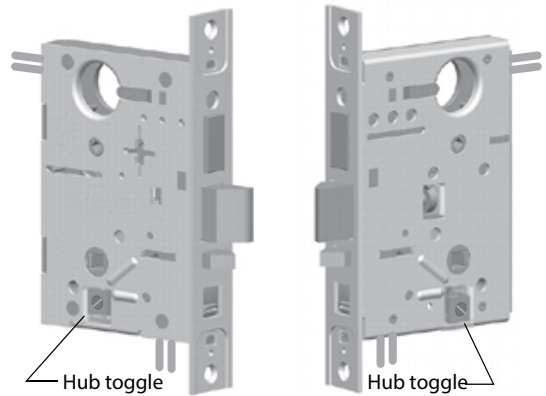


Figure 5 Positioning hub toggles

Installing the trim

6 Install mortise case

- 1 Drill the holes for the case mounting screws.
- 2 Insert the mortise case into the mortise cavity, while feeding the sensor and motor wires into the mortise cavity and out the sensor & motor wire hole to the inside of the door.

Note: The armored front of the mortise case self-adjusts to the door bevel.

- 3 Secure the mortise case with the case mounting screws.

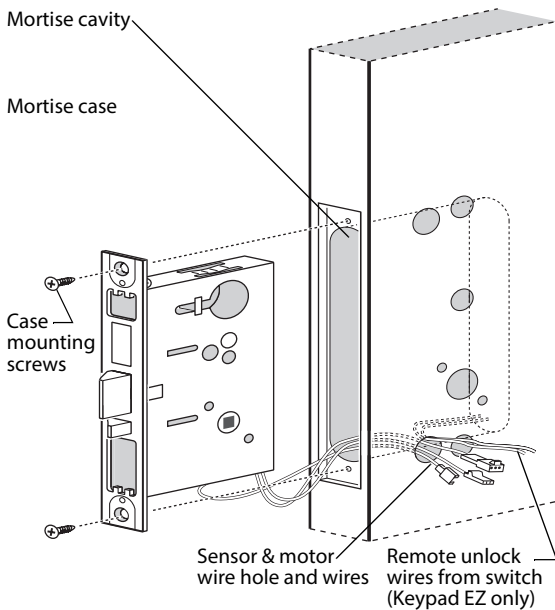


Figure 6 Installing the mortise case (inside of door)

7 Install trim mounting plates

- 1 Insert the outside trim mounting plate through the door and mortise case.
- 2 Position the inside trim mounting plate opposite the outside trim mounting plate and screw them securely in place.

Caution: Do not overtighten the trim mounting plate screws. Overtightening may damage the locking mechanism.

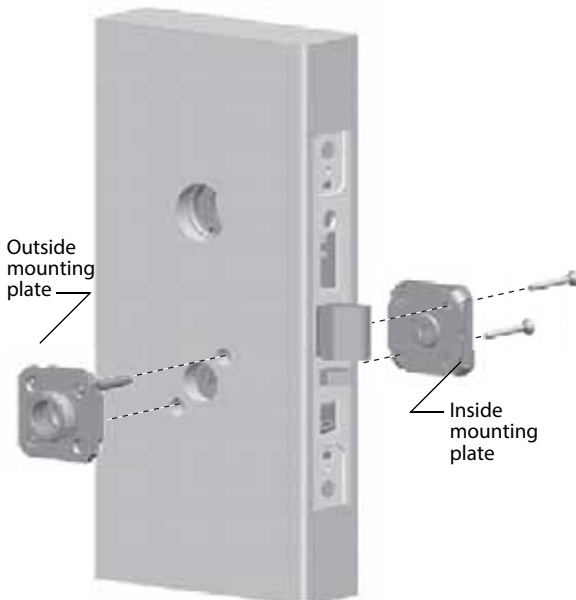


Figure 7 Installing the trim mounting plates

Installing the trim

8 Optional: Offline G/V Series Locks only: Install concealed cylinder & core (DV and TV functions only)

- 1 Use a cylinder wrench to thread the cylinder into the mortise case so that the groove around the cylinder is even with the door surface as shown in Figure 8.

Caution: A malfunction can occur if the cylinder is threaded in too far.

- 2 Secure the cylinder in the mortise case with the cylinder retainer screw.
- 3 Insert the control key into the core and rotate the key 15 degrees to the right.
- 4 With the control key in the core, insert the core into the cylinder.
- 5 Rotate the control key 15 degrees to the left and withdraw the key.

Caution: The control key can be used to remove cores and to access doors. Provide adequate security for the control key.

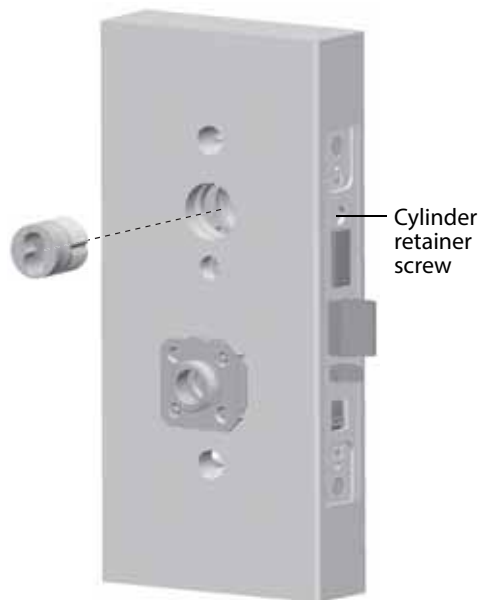


Figure 8 Installing the concealed cylinder

9 Install trim hole insert and bushing on outside of door

- 1 On the outside of the door, insert the trim hole insert into the upper trim hole, as shown in Figure 9.
- 2 Insert the bushing into the harness hole.

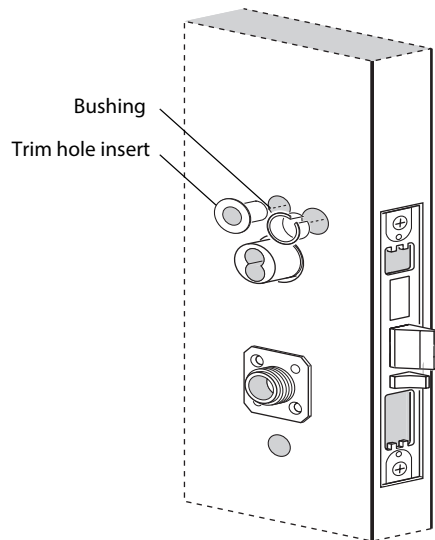


Figure 9 Installing the trim hole insert and bushing

Installing the trim

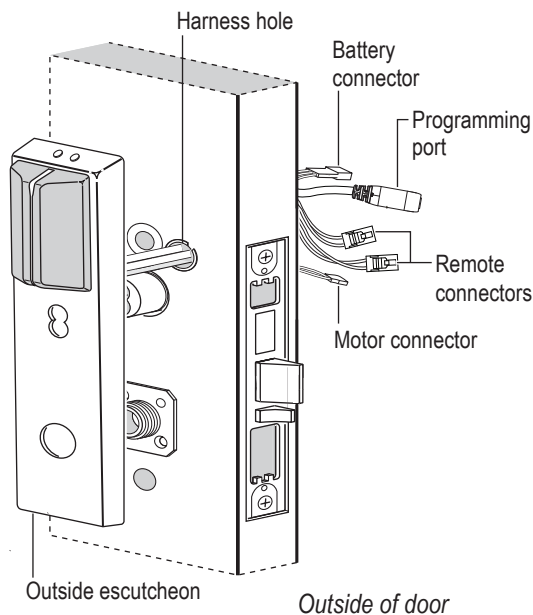


Figure 10 Routing wires

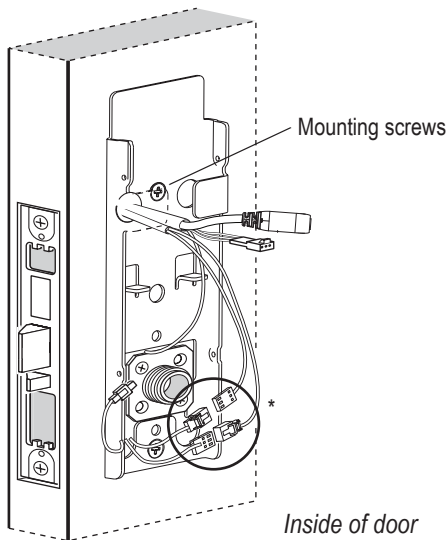


Figure 11 Installing fire plate

10 Route wire harnesses and position outside escutcheon

- 1 From the outside of the door, feed the motor connector, battery connector, and remote connectors through the harness hole.

Caution: When routing the connectors, make sure the harnesses are not routed across any sharp edges or over any surface that could damage their sleeving or wire insulation.

- 2 **For DV and TV functions locks only**, perform these steps:
 - a Firmly press the outside escutcheon in position on the door. The core should be flush with the outer surface of the escutcheon.
 - a If necessary, adjust the cylinder depth plus or minus one turn so that the core is flush with the outer surface of the escutcheon.
 - a Secure the cylinder in the mortise case with the cylinder clamp screw.
- 3 Rest the outside escutcheon on the door by inserting the trim studs into the trim holes.

11 Install fire plate

- 1 From the inside of the door, feed the wiring through the fire plate harness hole.
- 2 Position the fire plate on the door so that the inside mounting plate fits through the square opening in the fire plate.
- 3 Insert the two counter sunk mounting screws into the holes at the top and bottom of the fire plate.
- 4 Tighten the mounting screws until the fire plate is securely mounted to the door.

* Note: NV function lock uses only one remote connector. There will be one unused remote connector.

Installing the trim

12 Make motor and sensor connections

- From the inside of the door, make the motor connection, the key override sensor connection (DV and TV functions), and the deadbolt sensor connection (TV and LV functions).

Note: It is physically possible to connect the key override sensor connector from the mortise case to the battery connector from the wire harness. To avoid this mistake, connect only the connectors with matching wire colors.

Caution: When making the motor connection and sensor connections, make sure:

- ◆ there are no loose wire connections where the wires are inserted into the connectors
- ◆ the connectors are firmly mated

Wire connection	Colors	No. of wires
Motor	Yellow, Gray	2
Key override sensor	Gray	2
Deadbolt sensor	Orange	2
Remote unlock (Keypad EZ only)	Brown	2
Battery	Red, White, Black	3

- Optional for Keypad EZ Locks only:** Make the remote unlock connections with wire nuts or crimp connectors. See the *Installation Instructions for Keypad EZ Remote Unlock (T80922)* for more information.

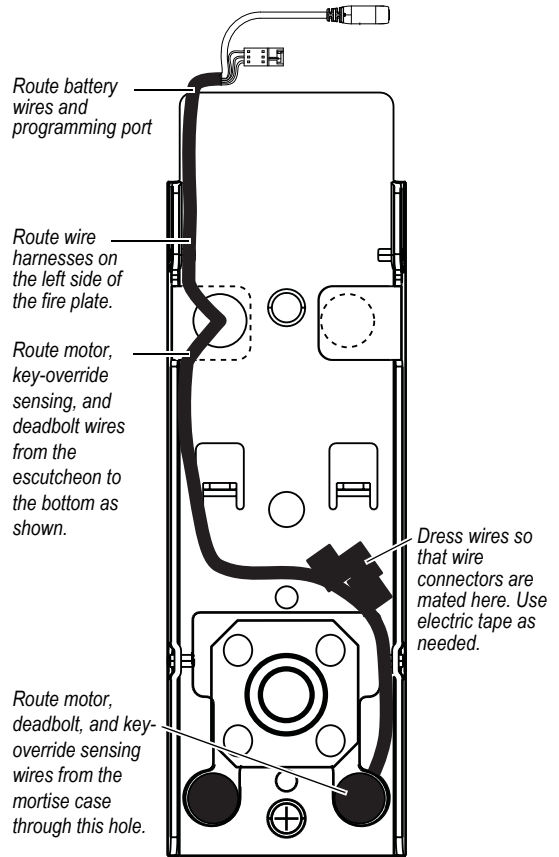
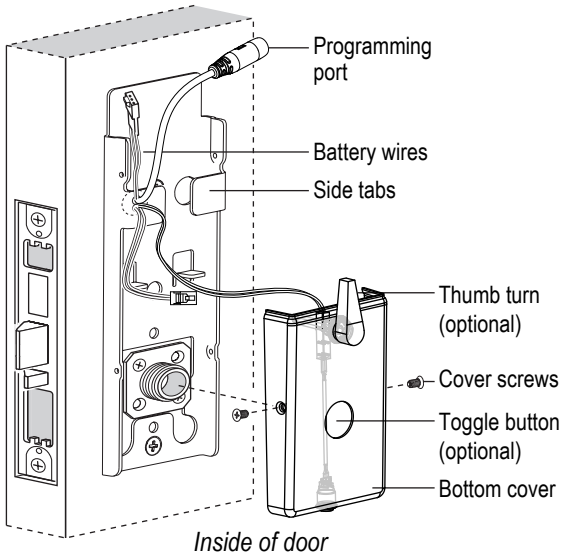


Figure 12 inside view of fire plate showing wire routing

Installing the trim



13 Install bottom cover (inside escutcheon)

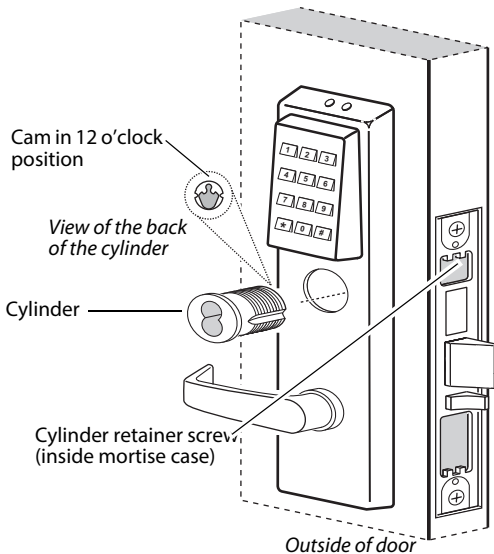
- 1 Position the battery wires above the side tabs and against the side of the fire plate, as shown in Figure 13.
- 2 **Optional for Thumb Turn option only:** Make sure that the thumb turn is in the upright position, as shown in Figure 13.
- 3 Use two cover screws to secure the cover to the side of the fire plate.

Note: Phillips Type 2 and T15 Torx options are available for the cover mounting screws.

Caution: Dress all wires away from possible pinch points before the bottom cover is put in place.

Note: The toggle button connector may connect to either remote connector on the harness.

Figure 13 Installing the bottom cover



14 Optional: Keypad EZ Locks only: Install cylinder (DV and TV functions only)

- 1 Rotate the cylinder cam to the 12 o'clock position as shown in Figure 14.
- 2 Use a cylinder wrench to thread the cylinder into the mortise case. See Figure 14.
- 3 Secure the cylinder in the mortise case with the cylinder retainer screw.
- 4 Install the core.

Figure 14 Installing the Keypad EZ Lock cylinder

Completing the installation

15 Install battery holder

- 1 Position the battery wires against the fire plate side wall, as shown in Figure 15.
- 2 Slide the battery holder behind the fire plate side tabs until it rests on the bent battery holding tabs.

Caution: When routing the battery wires, make sure the wires are not routed across any sharp edges or over any surface that could damage their sleeving or wire insulation.

- 3 Connect the battery pack to the battery connector on the wire harness.

Caution: When connecting the battery pack, make sure:

there are no loose wire connections where the wires are inserted into the connectors.
the connectors are firmly mated.

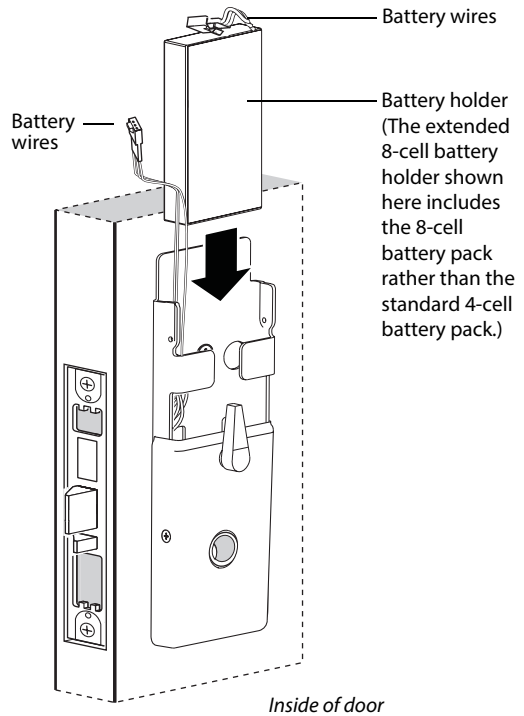


Figure 15 Installing the battery holder

16 Install inside and outside levers

- 1 Unscrew the inside spindle one full turn to allow the spindles to turn freely.
- 2 With the handle pointing toward the door hinges, insert the outside lever and spindles assembly into the lock from the outside of the door.
- 3 Slide the inside lever onto the inside spindle and secure it with the set screw.
- 4 Making sure that the core is positioned properly in the outside escutcheon (DV and TV function Locks only).

Note for Offline G/V Series Locks only: If a core is not available, you can use the cylinder wrench to help you align the core opening in the escutcheon.

- 5 Turn the levers to check that they operate smoothly.

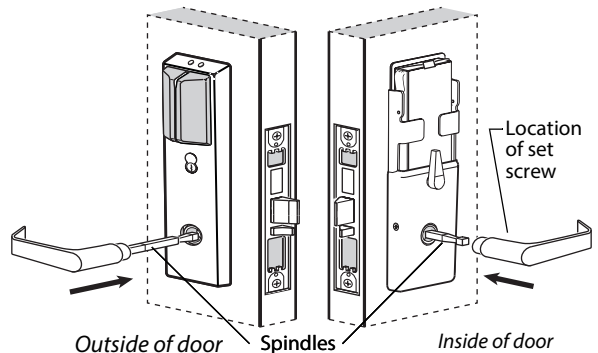


Figure 16 Installing the lever

Completing the installation

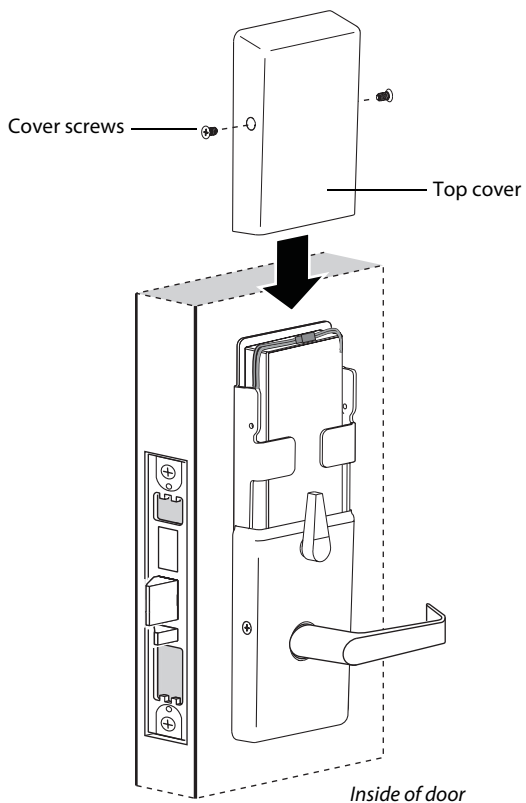


Figure 17 Installing the top cover

17 Install top cover (inside escutcheon)

- 1 Position the top cover above the fire plate and slide it down over the guide notches on the fire plate.

Caution: Make sure that the top cover does not pinch any wires as you slide it over the fire plate.

- 2 Use two cover screws to secure the cover to the side of the fire plate, as shown in Figure 17.

Note: Phillips Type 2 and T15 Torx options are available for the cover mounting screws.

Completing the installation

18 Install mortise case faceplate

- 1 Secure the mortise case faceplate to the mortise case with the faceplate mounting screws.
- 2 Check the lock for proper operation.

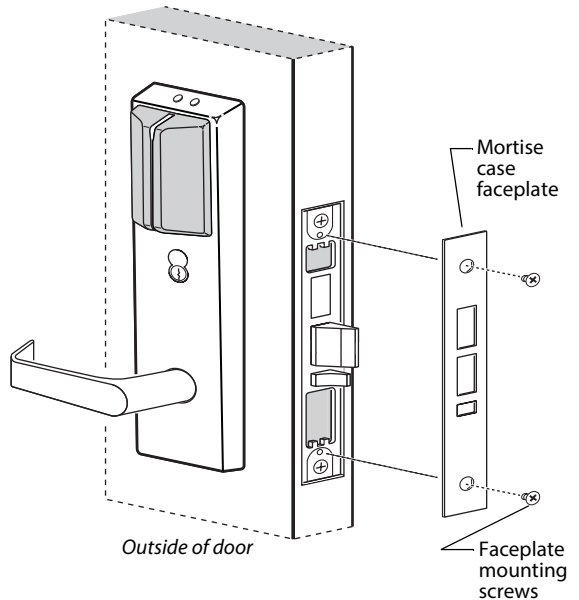


Figure 18 Installing the mortise case faceplate

19 Install strike box and strike plate

- 1 If the door jamb has not been mortised for the strike box and strike plate, perform these steps:
 - a On the door jamb, locate the horizontal centerline of the strike (3/8" above the centerline of the lock), as well as the vertical centerline of the strike.
 - b Mortise the door jamb to fit the strike box and strike plate.
- a Drill the holes for the screws used to install the strike box and strike plate.
- 2 If the strike box has a filled area, orient the strike box so that the filled area is down.
- 3 Insert the strike box into the mortise in the door jamb. Place the strike plate over the strike box and secure the strike with the screws provided.
- 4 Check the position of the auxiliary bolt against the strike plate (or the filled area of the strike box).

Note: The recommended gap between the door and jamb is 1/8"

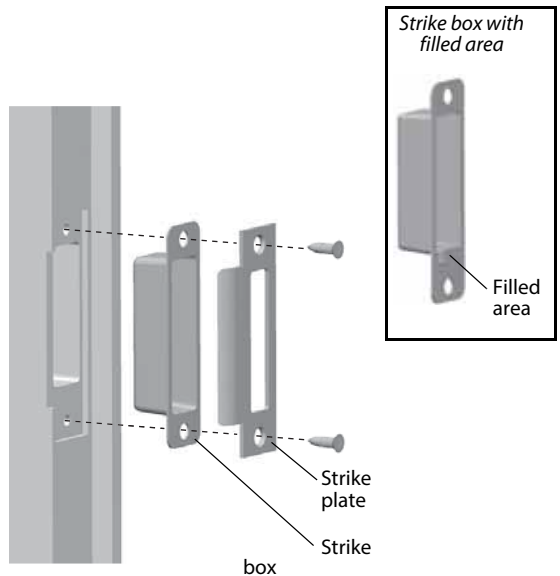


Figure 19 Installing the strike box and strike plate

Testing the lock

20 Test lock

For Keypad EZ Locks only:

To test the lock for proper operation before the lock is programmed, follow these instructions:

- 1 Press **9998**.
- 2 Press **#**.
The green light flashes and the locking mechanism unlocks.
- 3 Turn the lever and open the door.

For Offline G/V Series locks only

A temporary card is provided for initial testing the lock before programming.

The temporary card provided for testing the unit will be deleted after programming. To test a mortise lock after programming, program a card into the lock using the Offline G/V Series Management System.

- 1 Program the lock and use the card that you have programmed in the lock to test the unit.
The green light flashes and the unit unlocks and relocks after three seconds.
- 2 Turn the lever and open the door.
- 3 Check the handle to make sure that the lock unlocks and then relocks.

If the mechanism doesn't unlock, refer to the following table. For additional troubleshooting instructions, see the *Electronic Stand-Alone Locks Service Manual*.

LEDs	Sounder	You should
Single red flash	—	Use the card at a moderate speed.
Red flashes	3 short tones	Use the temporary operator card provided with the lock.
Green flashes	—	Check the motor connection.
—	—	Check the battery connection.

For all DV and TV function locks

Insert and turn the key to unlatch the door.

For all TV and LV function locks

- 4 From the inside of the door, turn the turn knob and make sure that the deadbolt operates properly.



For Online Instructions Visit:
<https://dhwsupport.dormakaba.com/hc/en-us>
For Assistance or Warranty Information:
Call 1-800-392-5209

⚠ Warning: This Manufacturer advises that no lock can provide complete security by itself. This lock may be defeated by forcible or technical means, or evaded by entry elsewhere on the property. No lock can substitute for caution, awareness of your environment, and common sense. Builder's hardware is available in multiple performance grades to suit the application. In order to enhance security and reduce risk, you should consult a qualified locksmith or other security professional.



Para obtener instrucciones línea, visite:
<https://dhwsupport.dormakaba.com/hc/en-us>
Para obtener asistencia o información de la garantía:
Lláme al 1-800-392-5209

⚠ Advertencia: Este fabricante debe saber que no hay cerraduras que puedan proporcionar seguridad completa por sí mismas. Esta cerradura puede fallar forzandola o utilizando medios técnicos o entrando por otra parte del edificio. No hay cerraduras que puedan sustituir precaución, estar al tanto de su entorno y sentido común. Este fabricante también ofrece cerraduras de diferentes grados y rendimientos para ajustarse a su aplicación. Para mejorar la seguridad y reducir riesgos, usted debe consultar con un cerrajero especializado u otro profesional de seguridad.



Pour obtenir des directives en ligne, consultez le site:
<https://dhwsupport.dormakaba.com/hc/en-us>
Pour obtenir de l'aide ou des renseignements sur la garantie:
Appelez au 1-800-392-5209 ou consultez le site

⚠ Avertissement: Le fabricant tient à vous aviser qu'aucun verrou ne peut à lui seul offrir une sécurité complète. Ce verrou peut être mis hors d'état par la force ou des moyens techniques ou être évité par l'utilisation d'une autre entrée sur la propriété. Aucun verrou ne peut remplacer la surveillance de votre environnement et le bon sens. La qualification pour la construction est offerte selon différents grades de performance pour différentes applications. Afin d'augmenter la sécurité et de réduire le risque, vous devez consulter un serrurier qualifié ou un autre professionnel de la sécurité.