

# Installation Instructions for SSS-SPS\_Mortise Lock (Electrified Models)

Please contact dormakaba USA tech support with questions and comments.

The SPSL provides facilities and care providers with the highest level of ligature-resistant door hardware. Great effort has been made to respect life-safety, operational and code-compliance requirements. Please note that all door hardware and other elements which protrude from the face of the door pose risks to patients and no hardware can be a replacement for constant observation and supervision to prevent bodily harm.

Mortise Lock Model Elements:  
(See parts list on page 2)

**Electrical Requirements:**  
24 Volts to 27 Volts DC

**Inrush – 0.75A**  
Afterwards dropping to -0.15A

**Recommended power supply:**  
24VDC @ 2 Amps or more.

Special door preparation is required. Please refer to template.

**Tools Required:**

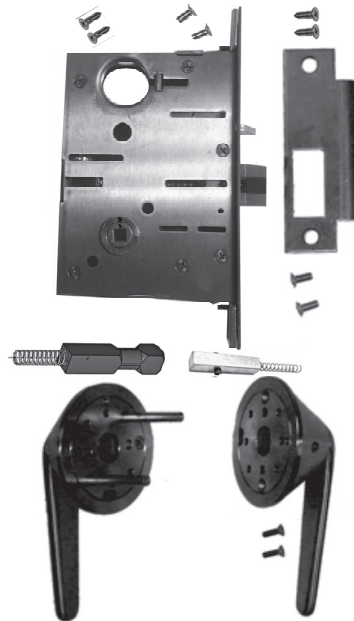
Phillips head screwdrivers  
5/64" Allen Key  
T10 and T20 Pin-in-head torx driver  
Blue LOCTITE ®

See Following Page For Information By Function

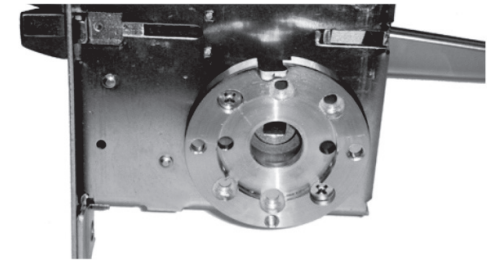
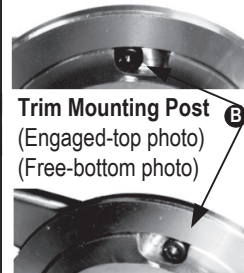
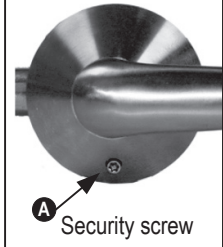
**dormakaba USA Inc.**  
6161 East 75th Street  
Indianapolis, IN 46250 USA  
Customer Service: 1-800-392-5209

Door conditions may vary. Please use your best efforts to ensure a proper installation.

**Mortise Lock Models v2**  
R Function shown



Interior Trim

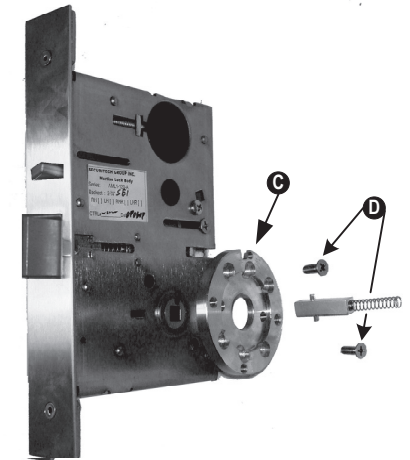


**PREPARATION:**

The exterior trim is the side with the long posts affixed. The interior trim is shipped with the base held in place by the trim mounting post and the security screw.

Remove the **A** security screw, using a T20 pin-in-head torx bit. The interior trim is "locked" into the base by the trim mounting post **B**. Rotate the base **C** slightly to separate. Do not unscrew the post!

Unscrew the lock faceplate allen screws prior to lock body installation.



**INSTALLATION:**

(A standard 1-1/4"x8" mortise prep is required)

- Electrified Models only:  
Connect wire to the door harness.
- Insert the lock body in the mortise opening. Fasten with two (2) 12-24 MS or (2) #12 Wood Screws (PH or TORX). Fasten the face plate with two (2) 6-32 x 1/4" MS (Socket or TORX).
- Insert spindle into exterior lever (spring goes in the lever) and align posts through lock body and spindle into opening. Press trim flush with the door. **PLEASE NOTE: SPINDLE TYPES CHANGE DUE TO FUNCTION. SEE REVERSE SIDE.**
- Place the interior base **B** on the door, with the slot on the top. Fasten with two (2) 8-32 x 1/2" MS **D**

- Insert spindle into interior lever (spring goes in the lever) and place onto base. Rotate slightly so that the trim mounting post locks in place. If the interior rotates too easily, the trim may not fit snugly on the door. Tighten the Trim Mounting Post **B** 1/4 turn and reaffix the trim. It should take some effort to lock into place. Fasten with **A** security screw. We recommend affixing a drop of blue LOCTITE® to the screw.
- Install the cylinder or cylinders, if required by function.
- Install the strike with two (2) 12-24 MS or (2) #12 Wood Screws (PH or TORX).

**CHECK FOR OPERATION**

The levers must move freely and without any friction. The levers should spring easily. Moving the lever upward won't retract the latch.

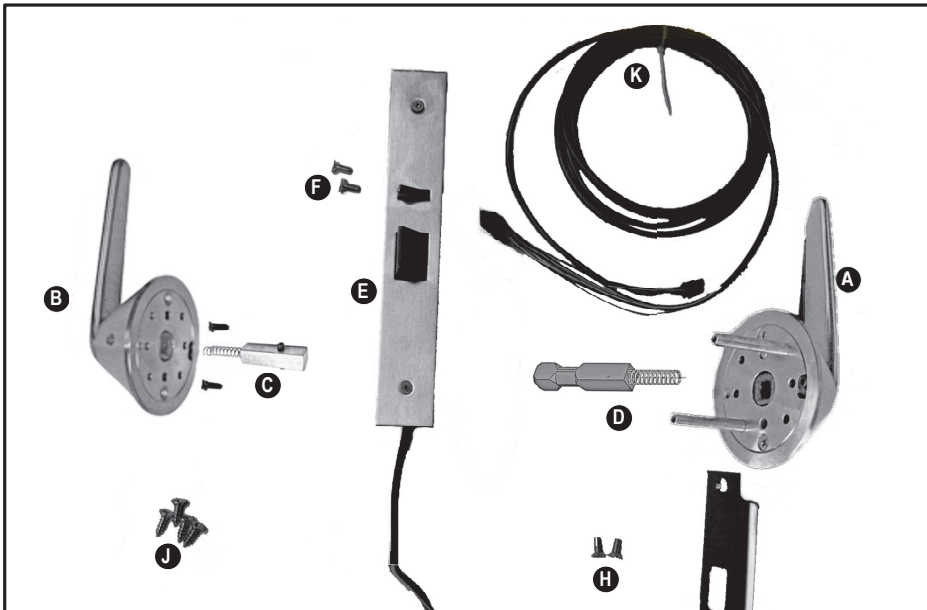


Test the levers during the installation:  
They should always move freely

# Installation Instructions for SSS-SPS\_Mortise Lock (Electrified Models)

## Parts List

## ADDITIONAL INFORMATION FOR ELECTRIFIED LOCK MODELS



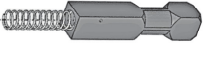

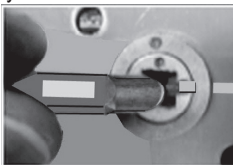



QTY	DESCRIPTION
<b>A</b> 1	Exterior Escutcheon Assembly
<b>B</b> 1	Interior Escutcheon Assembly (Shipped with mounting screws attached, (x2) 8-32 x 1/2" MS, PH)
<b>C</b> 1	Interior Half-Spindle (See spindle chart)
<b>D</b> 1	Exterior Half-Spindle (See spindle chart)
<b>E</b> 1	Mortise Lock Body (Shipped with face plate attached, (x2) 6-32 x 1/4" MS, Hex Socket/TORX-TR)
<b>F</b> 2	12-24 x 1/2" MS, PH/TORX-TR for Lock Mounting
<b>G</b> 1	4-7/8" Strike Plate
<b>H</b> 2	12-24 x 1/2" MS, PH/TORX-TR for Strike
<b>J</b> 4	#12 x 3/4" Wood Screw, PH/TORX-TR (For Wood Doors replaces F & H)
<b>K</b> 1	Wire Harness

*Use PH/Socket or TORX-TR screws as desired*

dormakaba USA Inc.  
6161 East 75th Street  
Indianapolis, IN 46250 USA  
Customer Service: 1-800-392-5209

### Spindle Chart

	INTERIOR SPINDLE	EXTERIOR SPINDLE
<u>Single Side Electrified</u>		
<u>SPSE-ML- ___ Fail Secure Single</u>	Half-Spindle w/ Spring (Silver)	Half-Spindle w/ Rounded Shank (Black)
<u>SPSF-ML- ___ Fail Safe Single</u>		
Electric-release trim exterior, mechanical anti-ligature trim interior. Free egress at all times. Key used for single entry.		
<u>Double Electrified</u>	<u>Interior Spindle</u>	<u>RH / RHR</u> <u>Exterior Spindle</u>
<u>SPS4-ML- ___ Fail Safe Both Sides</u>	Half-Spindle w/ Rounded Shank (Black)	Sloped Spindle (Black)
<u>SPS3-ML- ___ Fail Secure Both Sides</u>		
Electric-release trim on both sides. Key used for single entry/exit.		
	<u>Interior Spindle</u>	<u>LH / LHR</u> <u>Exterior Spindle</u>
	Sloped Spindle (Black)	Half-Spindle w/ Rounded Shank (Black)
Line up silver marks on the spindle and hub.		

### Wiring Schedule

ELEMENT#	COLOR#	
SOLENOID	WHITE	+ 24v DC (observe polarity)
	BLACK	
REX	RED (C)	Closed Circuit – Lever Up. Open Circuit – Lever Down.
	GREEN (NC)	
LATCH POSITION SWITCH	BLUE (C)	Closed Circuit – Latch Out. Open Circuit – Latch In.
	BROWN (NC)	
DOOR POSITION SWITCH	ORANGE (C)	Open Circuit – Door Open. Closed Circuit – Door Closed.
	YELLOW (NO)	