

Installation Instructions for SSS-SPSL Cylindrical Locks

Please contact dormakaba tech support with questions and comments.

The SPSL provides facilities and care providers with the highest level of anti-ligature door hardware. Great effort has been made to respect life-safety, operational and code-compliance requirements. Please note that all door hardware and other elements which protrude from the face of the door pose risks to patients and no hardware can be a replacement for constant observation and supervision to prevent bodily harm.

Cylindrical Lock Model Elements:

Qty	Description
1	Exterior Lever Assembly
1	Interior Base
2	Half-Spindles with stoppers & springs (1 is preinstalled)
1	Interior Lever & Shank
1	Security Mounting Screw
1	Cylindrical Lock Body
1	Latchbolt Assembly
1	4-7/8" Strike Plate
2	8-32 x 1/2" MS, PH
2	12-24 x 1/2" MS, PH/TORX-TR
2	#12 x 3/4" Wood Screw, PH/TORX-TR
2	8-32 x 3/8" MS TYPE F, PH
2	Plastic Bushing, 0.26" ID, 1/2" OD, 5/16" L

Use PH or TORX-TR screws as desired

Tools Required:

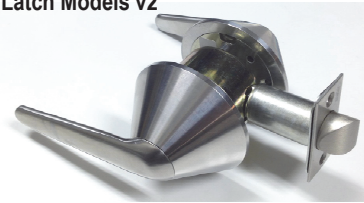
Phillips head screwdrivers
T10 and T20 Pin-in-head torx driver
Blue LOCTITE®

Mortise Lock Models:
See separate instructions

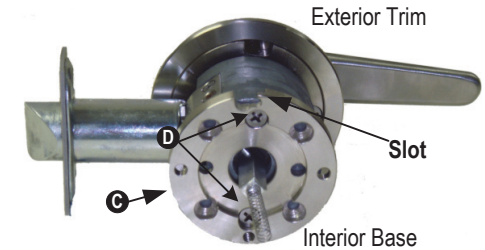
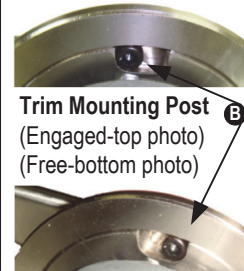
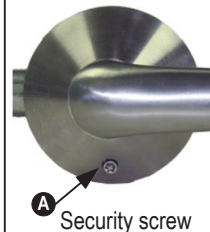
dormakaba USA Inc.
6161 East 75th Street
Indianapolis, IN 46250 USA
Customer Service: 1-800-392-5209

Door conditions may vary... please use your best efforts to ensure a proper installation.

Cylindrical Latch Models v2



Interior Trim

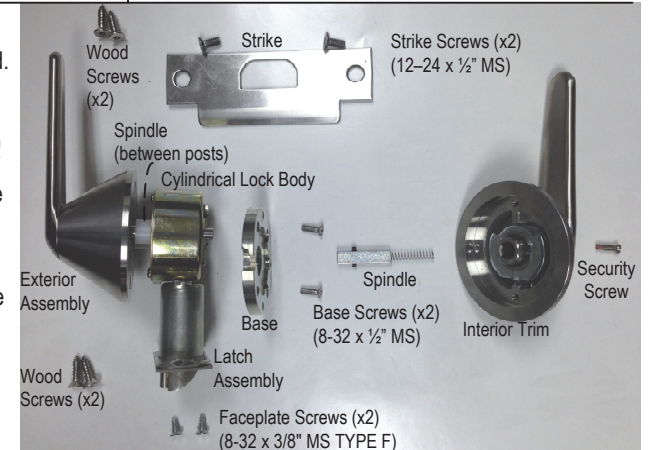


PREPARATION:

The exterior trim is the side with the long posts affixed. The cylindrical lock body is shipped on the posts and the mounting screws hold it in place. Remove the cyl. lock body. Do not lose the screws or plastic bushings!

The interior trim is shipped with the base held in place by the trim mounting post and the security screw.

Remove the (A) security screw, using a T20 pin-in-head torx bit. The interior trim is "locked" into the base by the trim mounting post (B). Rotate the base (C) slightly to separate. Do not unscrew the post (B)!



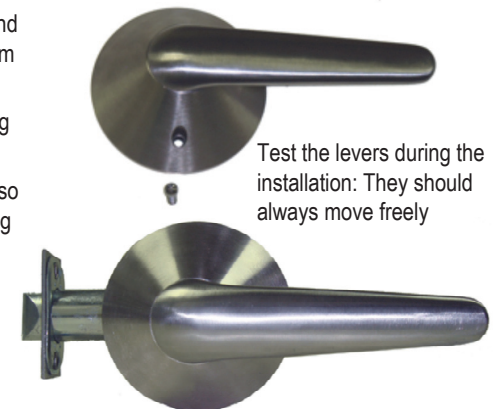
INSTALLATION:

(A standard 2-1/8"x1" prep is required)

1. Insert the cylindrical lock body in the 2-1/8" hole. Insert the latch assembly and affix to lock body. Fasten the latch with (2) 8-32 x 3/8" MS TYPE F, PH.
2. Insert spindle into exterior lever (spring goes in the lever) and align posts through lock body and spindle into opening. Press trim flush with the door. Make sure plastic collars are between the trim and cylinder.
3. Place the interior base (C) on the door, with the slot on the top. Fasten with two base mounting 8-32 x 1/2" MS (D).
4. Insert spindle into interior lever (spring goes in the lever) and place onto base. Rotate slightly so that the trim mounting post locks in place. Fasten with (A) security screw. We recommend affixing a drop of blue LOCTITE® to the screw.
5. Install the strike with (2) 12-24 MS or (2) #12 Wood Screws (PH or TORX).

CHECK FOR OPERATION

The levers must move freely and without any friction. The levers should spring easily. Moving the lever upward won't retract the latch.



Test the levers during the installation: They should always move freely