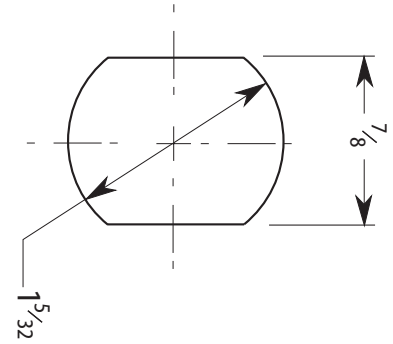
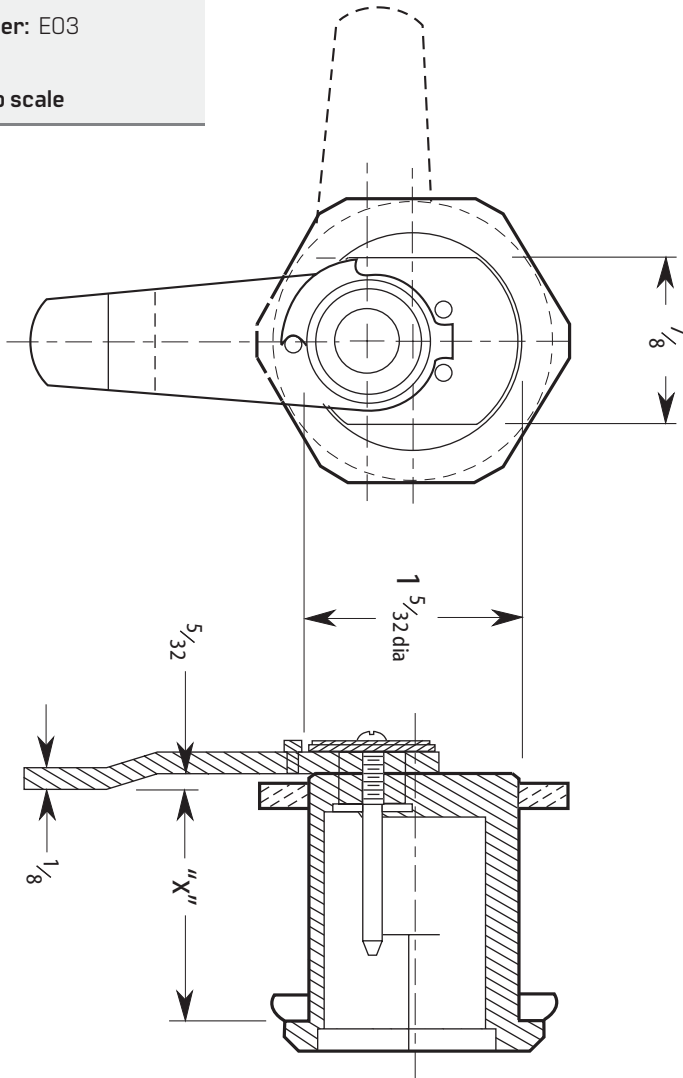


Template for 1E_E4 Cylinders

Template Number: E03
Series: 1E_E4

*Template not to scale



Pin size	Dim X
5	0.975
6	1.125
7	1.275

