

Installation Instructions for 1E7R4 Turn Knob Cylinders

The enclosed turn knob cylinder is new and improved and requires a special turn knob hub. See Figure 1.

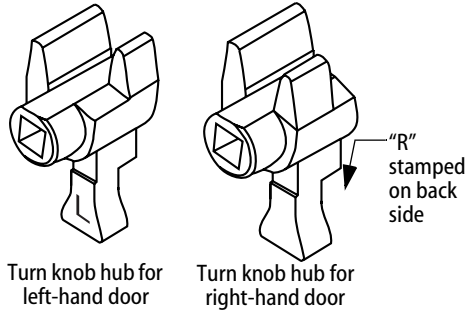


Figure 1—Left-hand and right-hand turn knob hubs

Do not discard this turn knob hub! This special hub is designed specifically for the R function turn knob cylinder. The new turn knob hub is marked with either an “R” meaning it is for right-hand doors, or “L” meaning it is for left-hand doors. This part goes with the turn knob cylinder for a right- or left-hand door. With these new parts—when the

deadbolt is retracted—the turn knob will now rotate 360 degrees clockwise or counterclockwise.

1 Replace turn knob hub & turn knob cylinder

- 1 Remove the lock case from the door.
- 2 Remove the case cover.
- 3 Replace the old turn knob hub with the new one. See Figure 2.
- 4 Reinstall the lock.
- 5 Screw the cylinder into the mortise case.

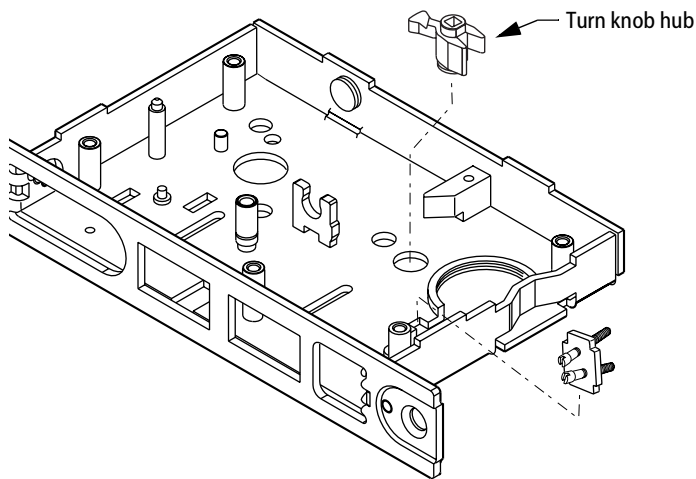


Figure 2—Replacing the turn knob hub

2 Check for proper operation

From the keyed side

- Grasping the deadbolt with your fingers, SLOWLY extend and retract the deadbolt with the key. The deadbolt should FULLY extend and retract.

From the turn knob side

- 1 Extend the deadbolt with the key.
- 2 Grasping the deadbolt with your fingers, SLOWLY retract the deadbolt with the turn knob. The deadbolt should FULLY retract. The turn knob should NOT be able to extend the deadbolt. Only the key should be able to extend the deadbolt.

If the deadbolt does not FULLY extend or retract . . .

- 1 Adjust the turn knob cylinder or keyed cylinder in or out.
- 2 Repeat task 2.