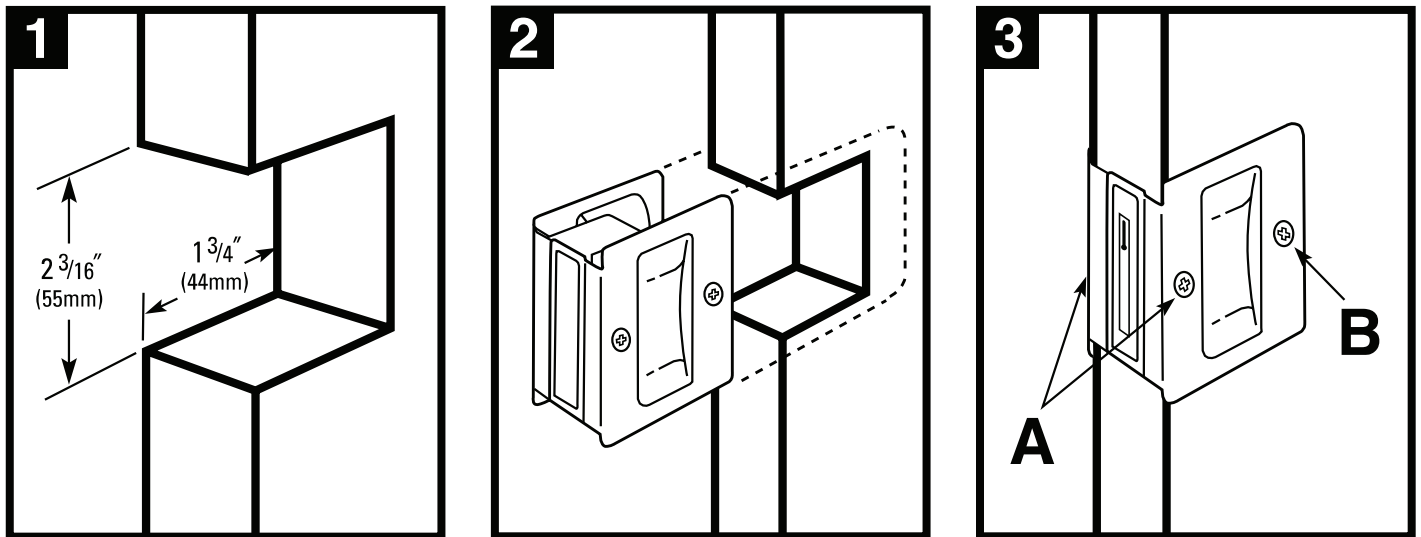


PD150-61 Pocket Door Pull Installation Instructions

Always consult the dormakaba website for the latest instructions at <https://dhwsupport.dormakaba.com/hc/en-us> or call 1-800-392-5209.



For doors 1-3/8" to 1-3/4" thick

1. Cut notch in door 1-3/4" deep and 2-3/16" high.
2. Place unit in position.
3. Tighten screws "A" equally until unit is centered in notch.
4. Drill 3/32" pilot holes "B" to length of screws and fasten.
Only clean with soft cloth, mild soap and water.



Wear Safety Goggles