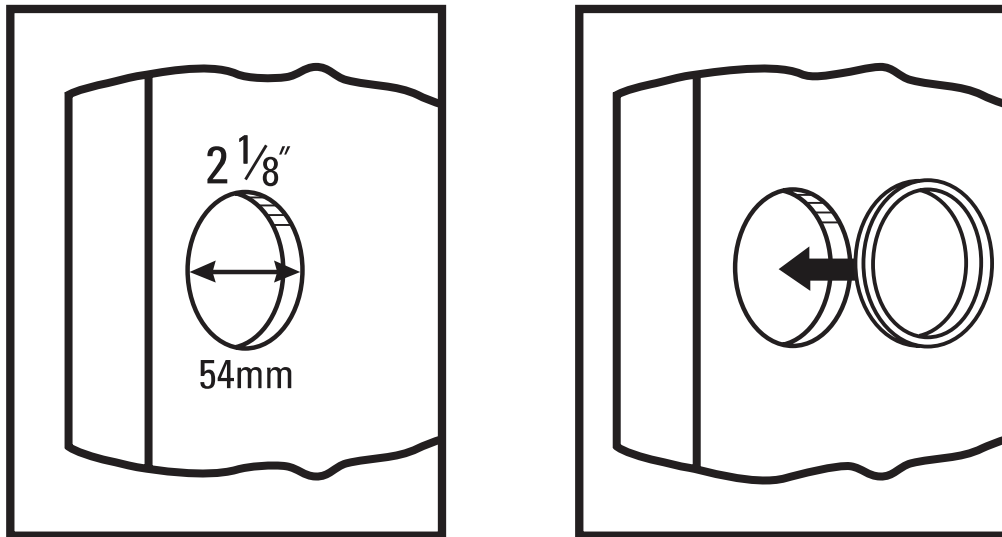


BP250-61 and BP250-62 Flush Pulls Installation Instructions

Always consult the dormakaba website for the latest instructions at <https://dhwsupport.dormakaba.com/hc/en-us> or call 1-800-392-5209.



1. Mark pull location.
2. Bore two 2-1/8" holes, 5/16" deep.
3. Carefully tap pull into place.
Only clean with soft cloth, mild soap and water.



Wear Safety Goggles