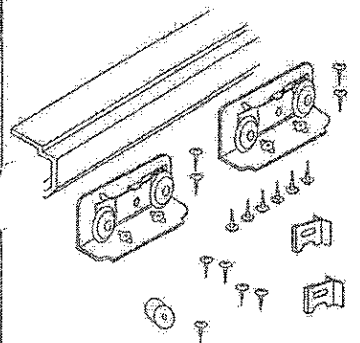
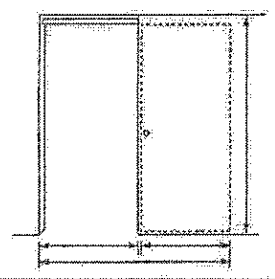
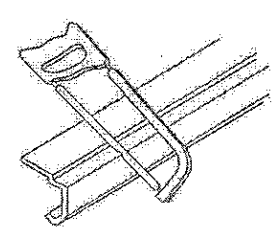
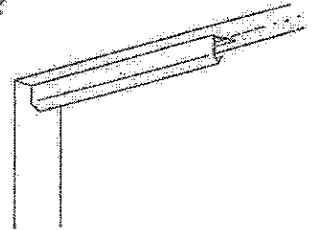
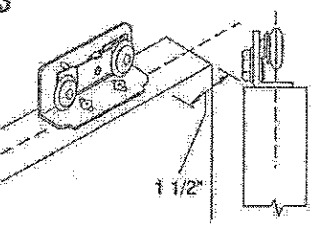
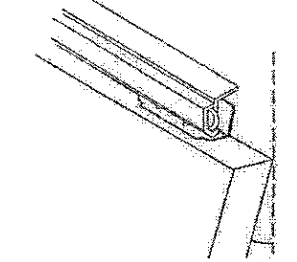
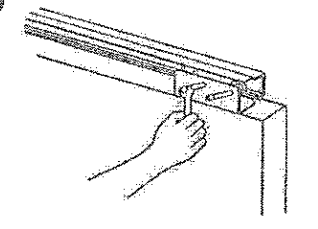


Pocket Door PD75

Assembly and Installation Instructions

Always consult the dormakaba website for the latest instructions at <https://dhwsupport.dormakaba.com/hc/en-us> or call 1-800-392-5209.

<p>Pocket Door Hardware Assembly and Installation Instructions</p> <p>We Supply This package contains all the necessary hardware components for installation of your Pocket Door.</p> <p>For Pocket Hardware Set 40-3903 (13) 40-3904 (14) Set Contains 1—Gold-tone Steel track* 2—Adjustable Hangers 1—Adjusting Wrench 1—Door Guide 1—Bumper Stop all necessary fasteners. *Track is less than opening to reduce need to cut track.</p> 	 <p>How to Install your Pocket Door Please read the complete instructions carefully before you start installation. This track and hardware system may be used for a Pocket Door (in the wall) installation. Instructions are for Pocket Door installation rough opening.</p>	<p>1</p>  <p>1. Cut track If necessary, cut track to 1/8" less than the width of the rough opening. Use a fine-tooth track saw.</p>	<p>2</p>  <p>2. Install track Align the center of the track with the center of the header and attach with the screws provided. Use a track saw.</p>
<p>You Supply Door Panel as specified on the package chart. Phillips Screwdriver, Tape Measure, Hammer, Drill with 3/32" and 1/8" Bits.</p>	<p>3</p>  <p>3. Install hangers Fasten the adjustable door hangers on the top of the door panel. Hangers should be approximately 1-1/2" from door edge with wheels located along center line of door.</p>	<p>4</p>  <p>4. Install door Lift the door into the track. Door must be angled approximately 15° to engage in track.</p>	<p>5</p>  <p>5. Adjust door Using the wrench included, adjust hangers so that door is plumb with the jamb and has proper floor clearance. Clockwise turns will raise the door; counterclockwise turns will lower the door. This adjustment is self locking.</p>

