

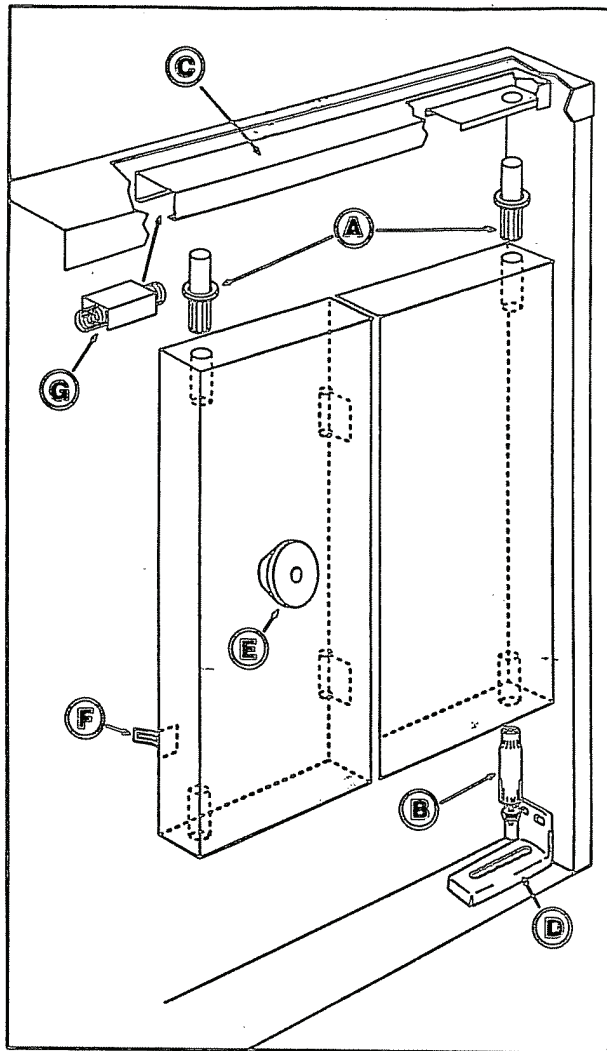
Series 2800 Installation Instructions



dormakaba Group

Always consult the dormakaba website for the latest instructions at <https://dhwsupport.dormakaba.com/hc/en-us> or call 1-800-392-5209.

INSTALLATION INSTRUCTIONS Series 2800



Series 2800

Step 1 - Insert top pivots (a) into pre-drilled holes in top of hinged door panels. Insert bottom pivot (b) into pre-drilled hole at bottom edge of pivot door panel at the jamb side of the opening.

Step 2 - Fasten track (c) at top of opening on header using long screws provided. Fasten jamb bracket (d) on jamb side of opening, making sure that base of bracket rests firmly on the floor.

Step 3 - Install door panels by inserting the top pivot at the pivoting side of door into track. With both pivots inserted, lift upward on panels and position bottom pivot onto jamb bracket on floor. Let bottom pivot sit into jamb bracket at desired height.

Step 4 - Adjust door height by slightly lifting panels and turning threaded stem of bottom pivot. Seat pivot into jamb bracket at desired height.

Step 5 - Adjust door horizontally by altering position of bottom pivot in jamb bracket. Lift door slightly and move bottom pivot in either direction as necessary to bring door plumb with opening. Check to ensure guide pivot does not disengage during door operation, and door edge does not rub jamb. If necessary, adjust track bracket by loosening bracket screw and slide bracket within the track. Tighten at desired location.

Step 6 - Mount knobs (e) in pre-drilled holes or at center of guide door, approximately 36 inches from floor.

Step 7 - (For 4 Panel Sets Only) - Mount aligners (f) on back side of guide door.

Step 8 - Insert snagger (g) into track at guide door side of opening.