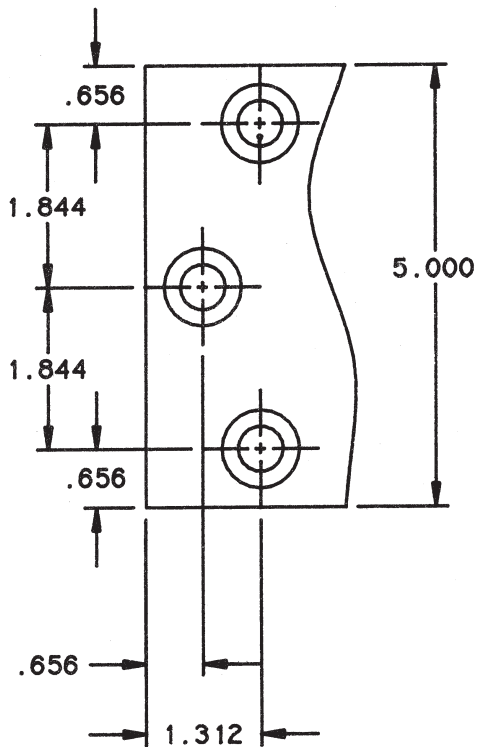
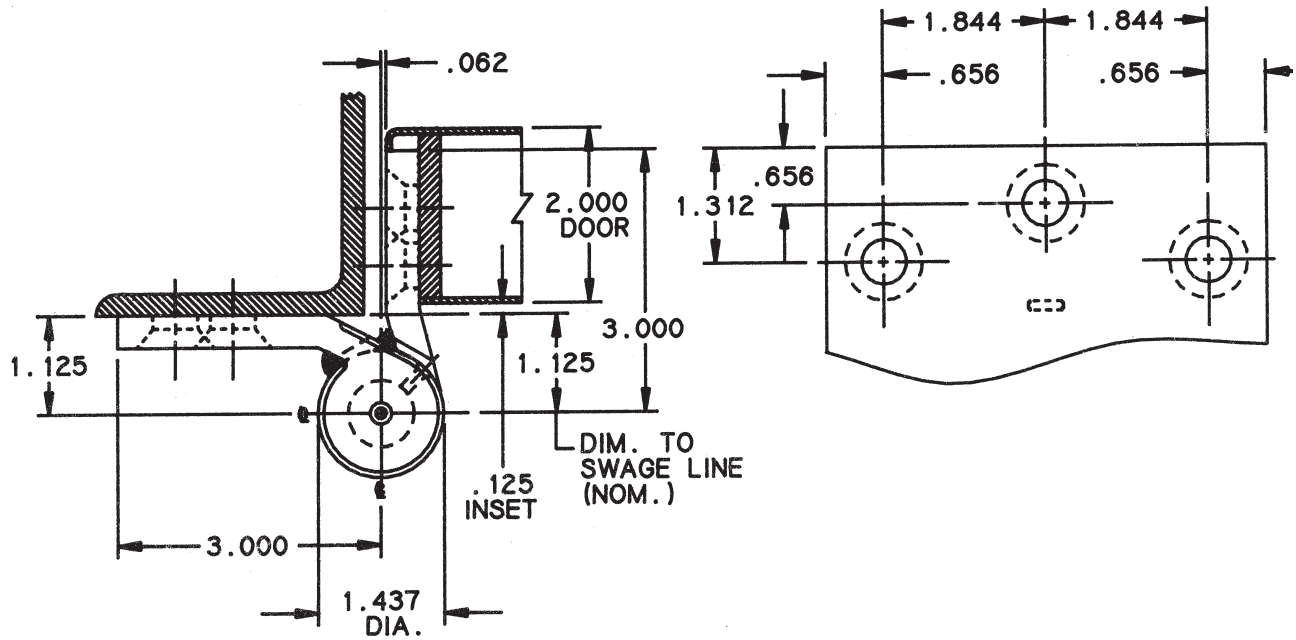


# BB852 HALF MORTISE HINGE APPLICATION G



DO NOT SCALE

**NOTES:**

- 1 Can also be furnished without holes when ordered as BB852NH half mortise application G.
- 2 Right hand application shown. For left hand application, invert hinge.

Class No.	Material	Gauge of Metal
BB852	Steel	0.375

Machine Screw Size — 1/2-13 F.H.

