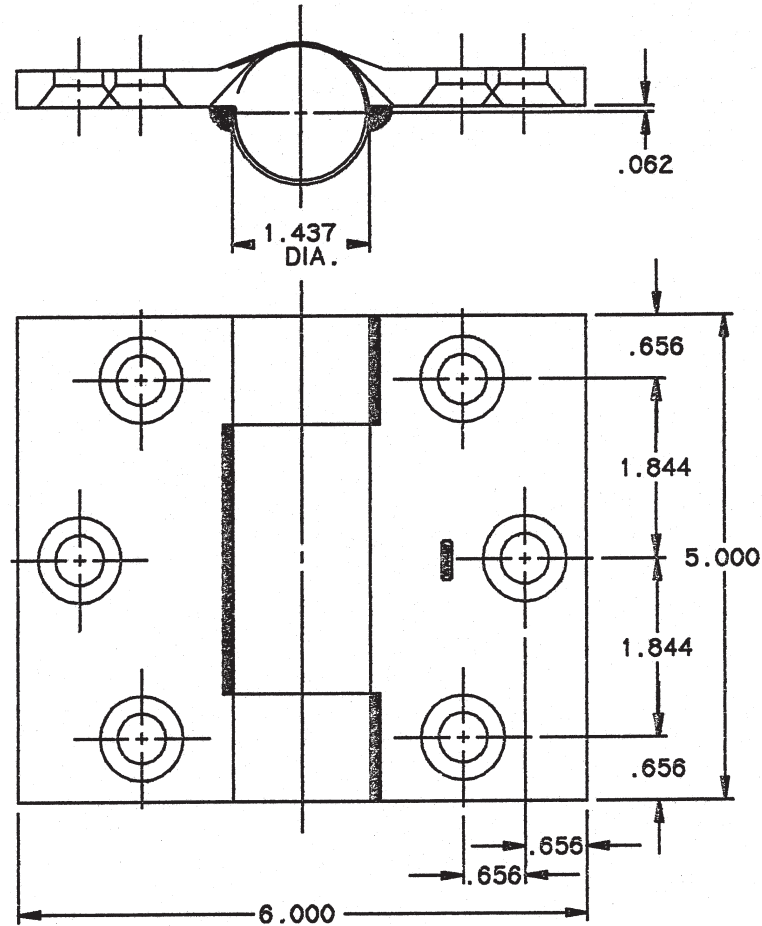


BB852 FULL MORTISE HINGE APPLICATION D



DO NOT SCALE

NOTE: Can also be furnished with no holes when ordered as type of BB852NH.

Class No.	Material	Gauge of Metal
BB852	Steel	0.375

Machine Screw Size — 1/2-13 F.H.

