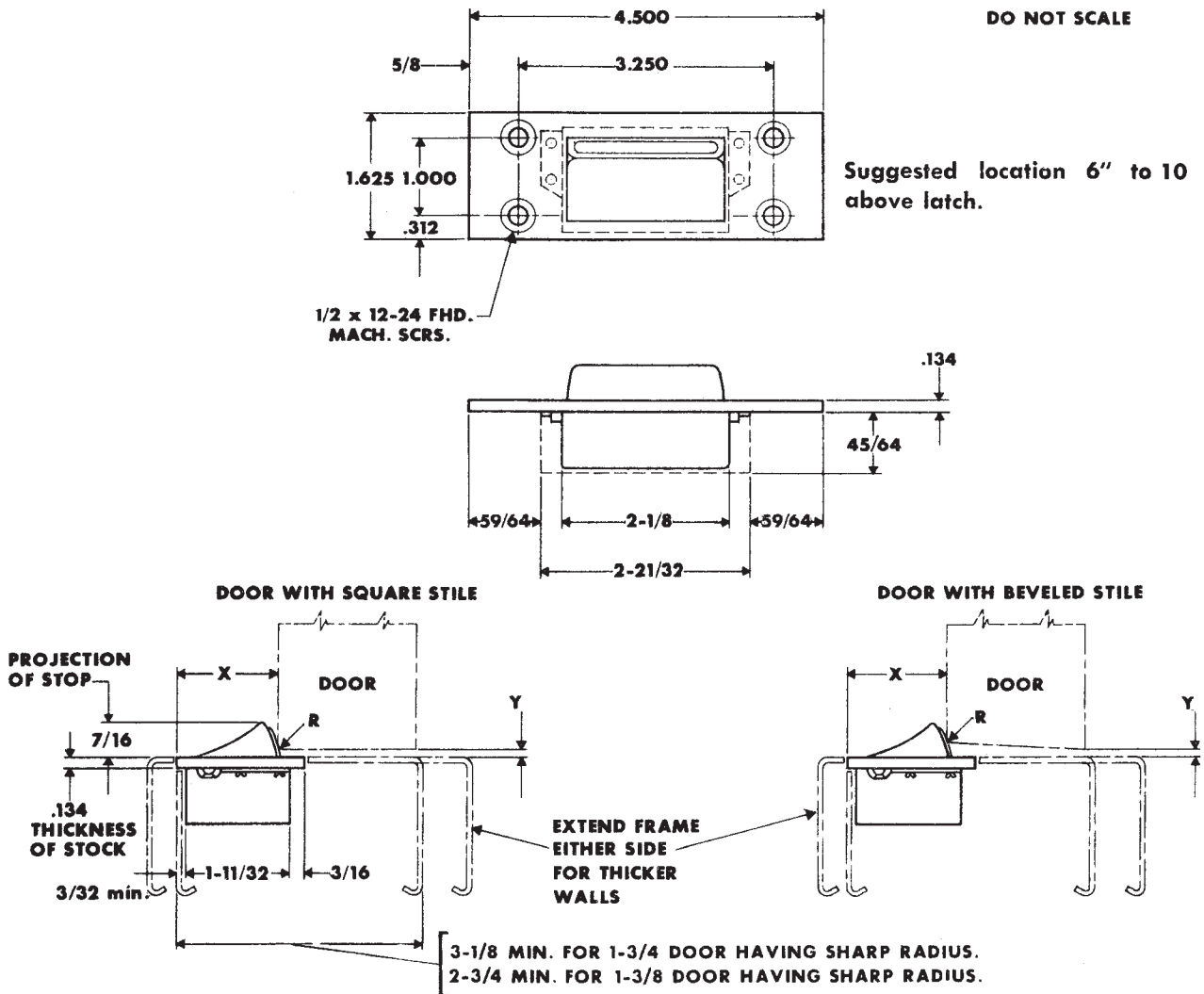


# ES-1 EMERGENCY DOOR STOP TEMPLATE



NOTE: For doors having Edge Radii, Bevels or thickness other than shown in table below — consult Stanley Hardware for Dimension X.

	"R" Radius at Edge of Style	Dimension X When Clearance Y = 1/8		Dimension X When Clearance Y = 3/32	
		1 3/4 Doors	1 3/8 Doors	1 3/4 Doors	1 3/8 Doors
<b>Doors with Square Stiles [Any Thickness]</b>	Sharp	1 1/4		1 17/64	
	1/32	1 1/4		1 17/64	
	1/16	1 15/64		1 1/4	
	3/32	1 7/32		1 15/64	
	1/8	1 7/32		1 7/32	
<b>Doors with Beveled Stiles [1/8 in 2 Bevel]</b>	Sharp	1 13/64	1 1/4	1 7/32	1 17/64
	1/32	1 13/64	1 1/4	1 7/32	1 17/64
	1/16	1 3/16	1 15/64	1 13/64	1 1/4
	3/32	1 11/64	1 7/32	1 3/16	1 15/64
	1/8	1 5/32	1 7/32	1 11/64	1 15/64

