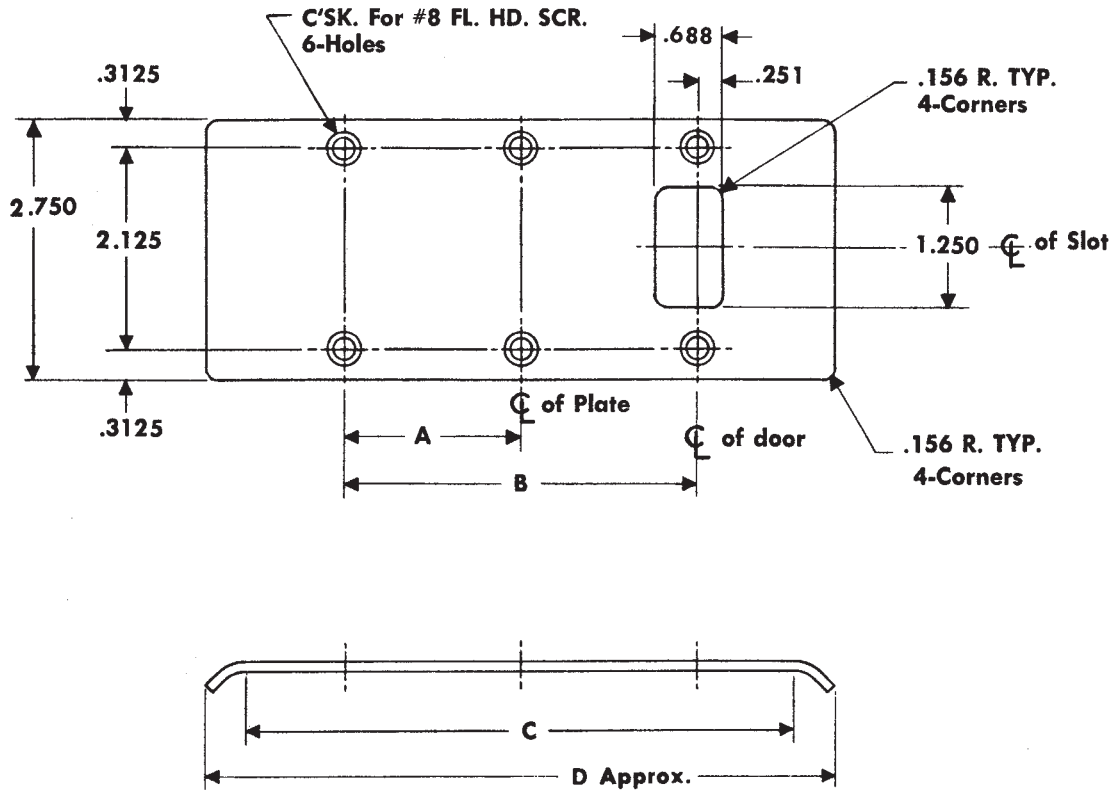


DLS-1 DOUBLE LIPPED STRIKE



DO NOT SCALE

NOTES:

- 1 Centerline of plate to coincide with centerline of jamb.
- 2 For use with doors inset 1/8 inch on 5 3/4 or 6 3/4 frames as noted.

Frame Width	Material	Gauge of Metal	(A)	(B)	(C)	(D)
5 3/4	Brass	0.093	1.875	3.750	5.375	6.375
6 3/4	Brass	0.093	2.375	4.750	6.375	7.375

Machine Screw Size — No. 8-32 x 1/2 undercut flat head recessed (brass)

