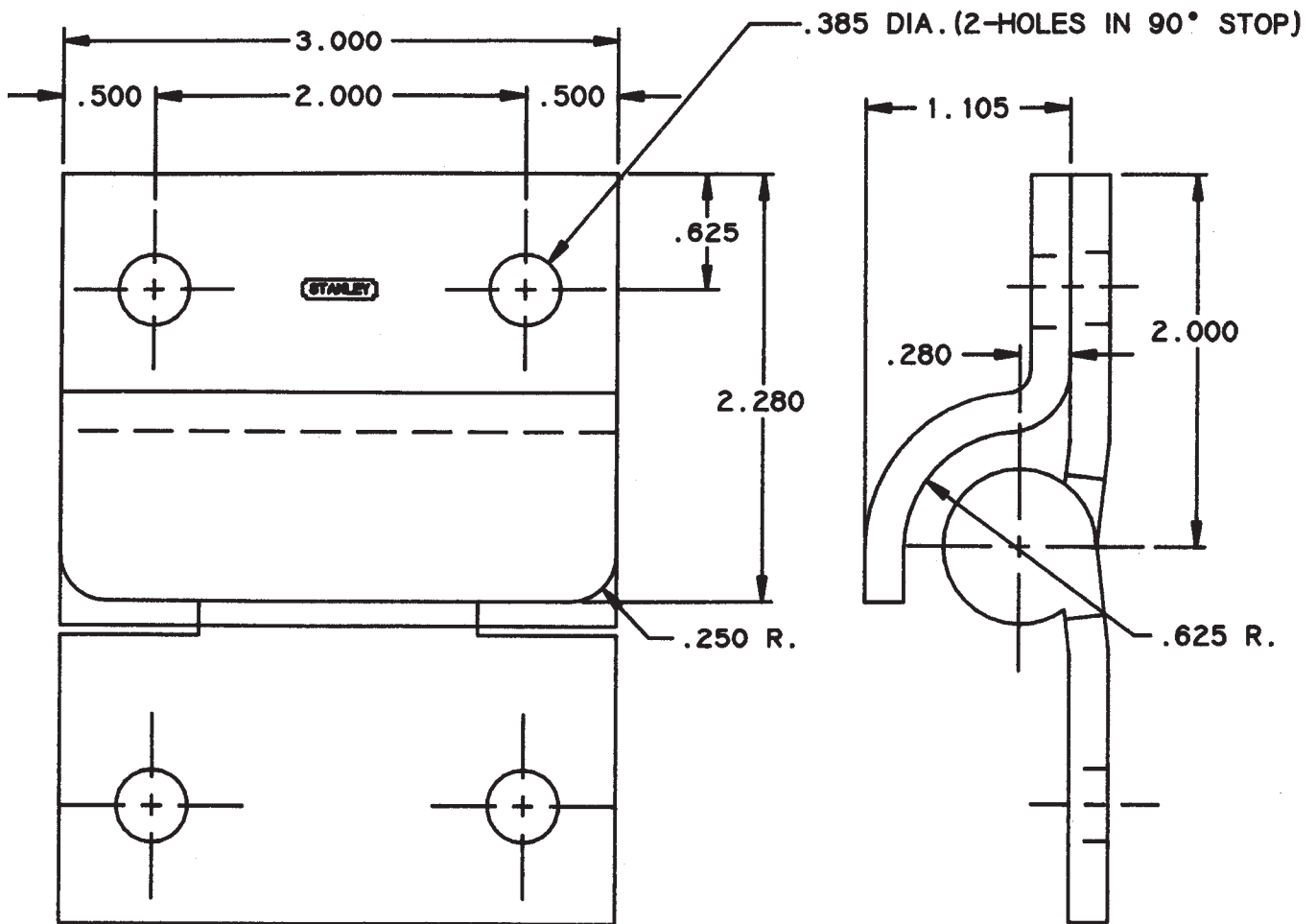


FOOD PASS HINGE AND 90° STOP SET

Size: 3 x 4"



DO NOT SCALE

NOTES:

- 1 Accepts 3/8-16 button head torx tamper resistant screws.
- 2 For 853, see Template T90-42.

Class No.	Material	Gauge of Metal
854	Steel	0.210

