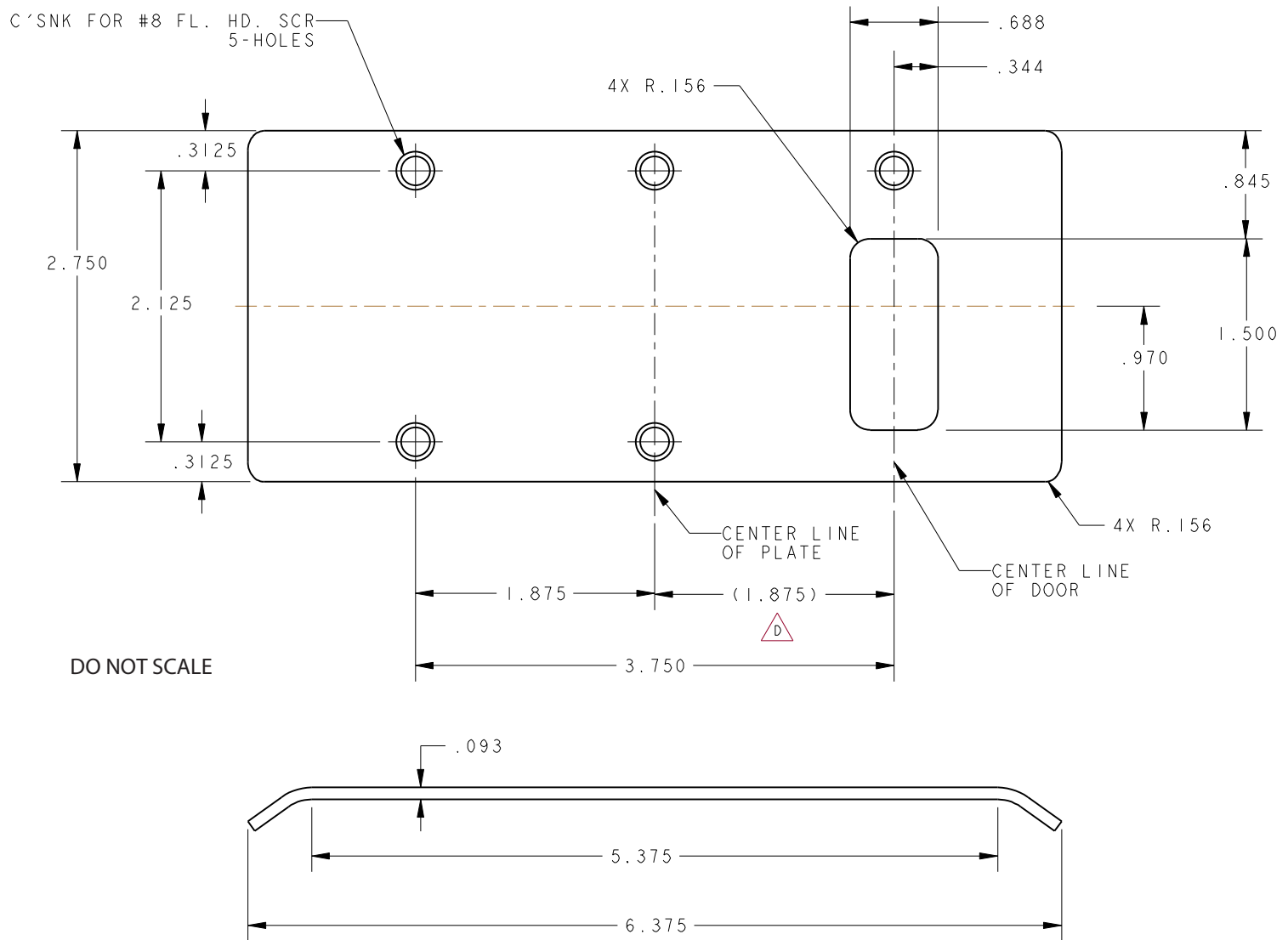


DLS-1 BML for 1/8" Inset Doors



NOTES:

- 1) FOR DIMENSIONS NOT SHOWN PLEASE SEE U-7937-1.
- 2) LEFT HAND APPLICATION SHOWN, RIGHT HAND APPLICATION IS MIRROR IMAGE.
- 3) CENTERLINE OF LOCK FACE PLATE SHOULD LINE UP WITH CENTERLINE OF STRIKE CUTOUT.

