
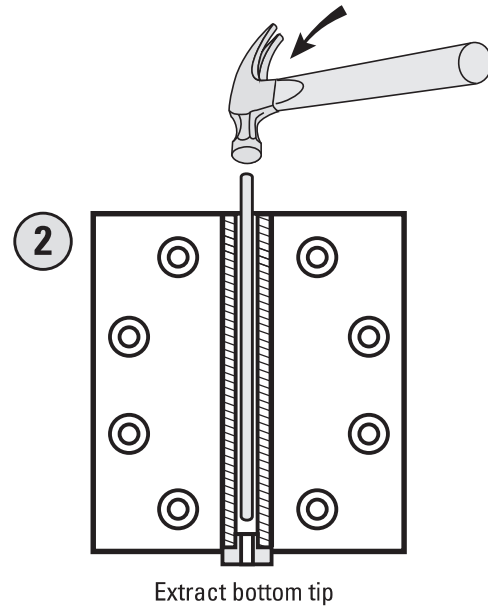
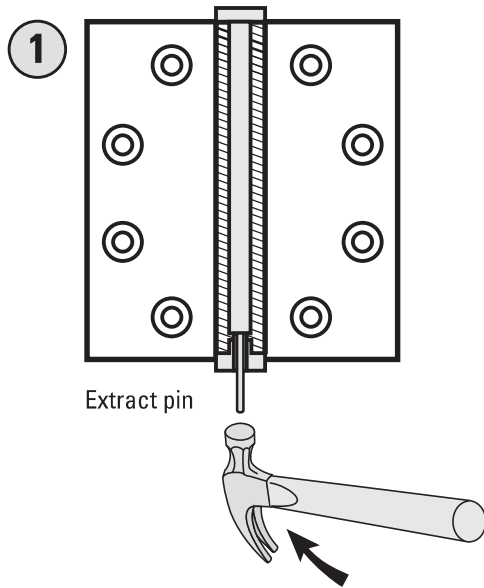
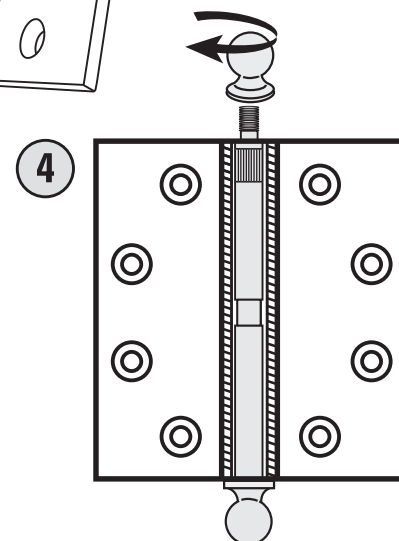
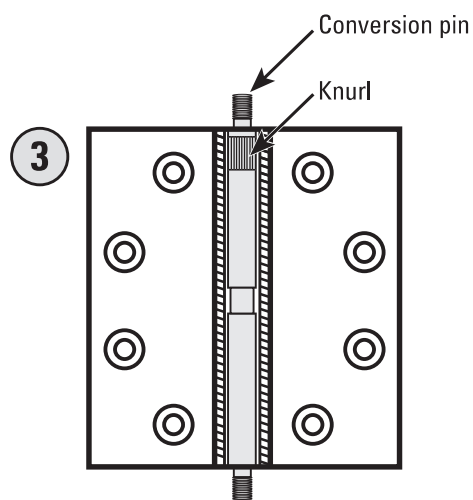
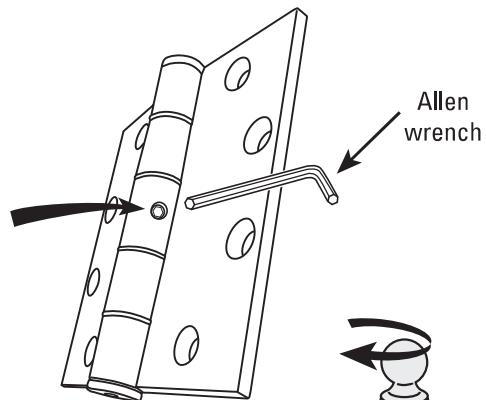


Decorative Tip Conversion Instructions

 Wear safety goggles and follow common safety rules.



NOTE: If product was supplied with a non-removable pin (NRP), remove set screw first.



Insert conversion pin with knurl on top as illustrated, making certain that the knuckles align. Perform this step with care not to damage threads.

NOTE: If hinge was supplied with NRP option, replace the set screw.