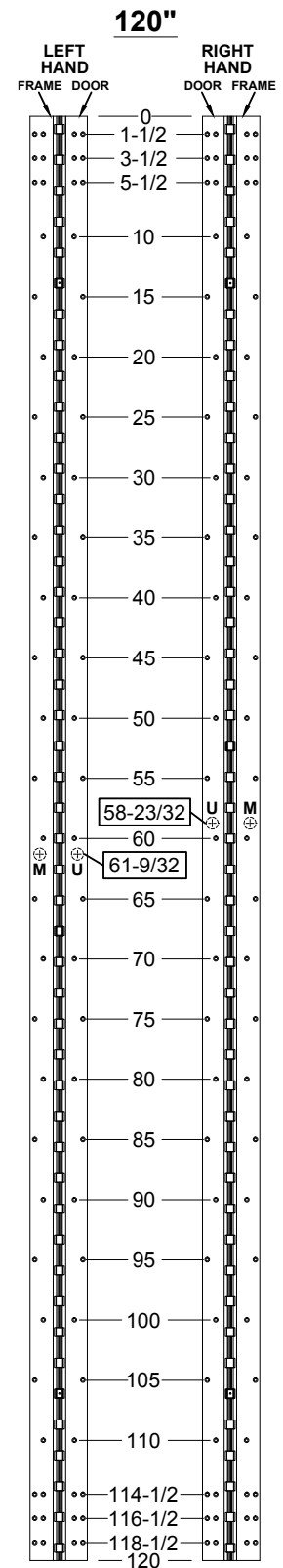
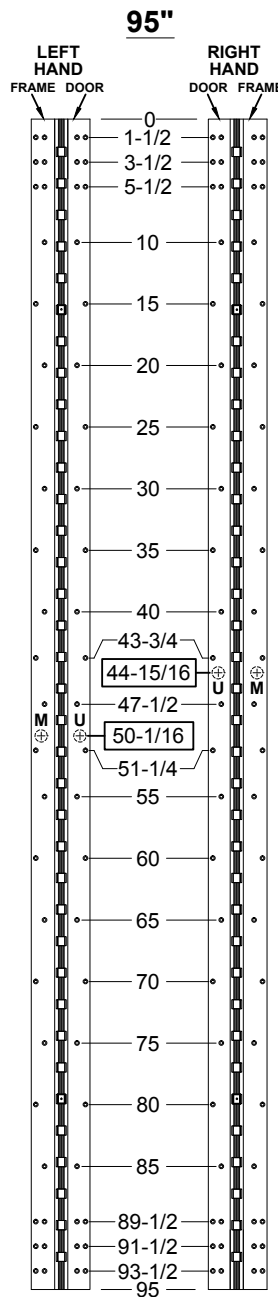
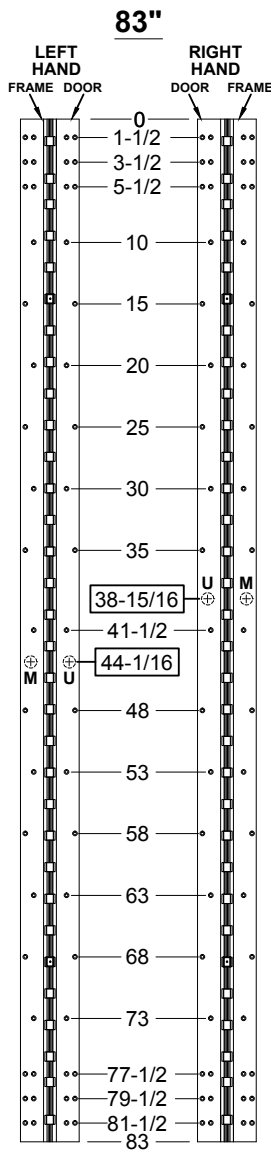


673HD - (CS) CONCEALED SWITCH

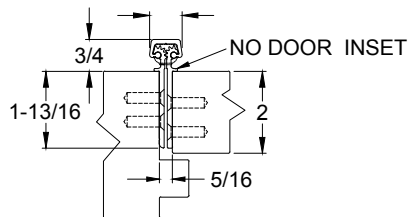


M = MONITOR SWITCH SIDE
U = MAGNET SIDE

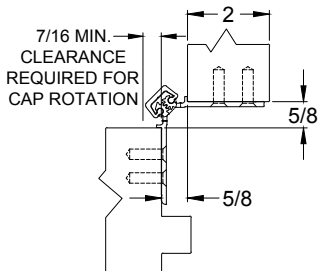
STANDARD HINGE SIZES & SCREW DETAIL			
NOMINAL DOOR HEIGHT	7'0"	8'0"	10'0"
ACTUAL HINGE LENGTH	83"	95"	120"
FRAME	12-24 x 7/8" PHILLIPS FLAT HEAD, UNDERCUT, SELF DRILLING, THREAD FORMING TEK MACHINE SCREW	25	29
DOOR	12-24 x 7/8" PHILLIPS FLAT HEAD, UNDERCUT, SELF DRILLING, THREAD FORMING TEK MACHINE SCREW	25	29



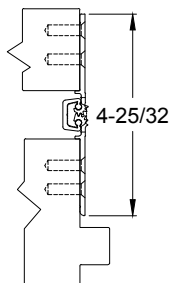
673HD - (CS) CONCEALED SWITCH



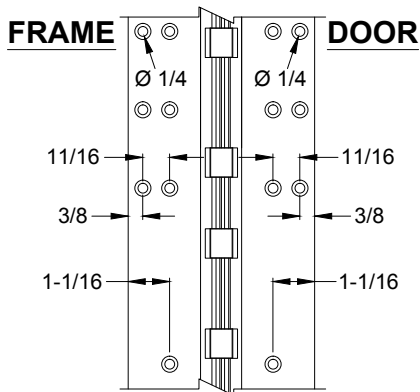
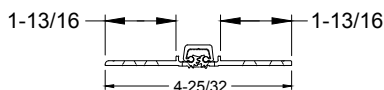
CLOSED POSITION



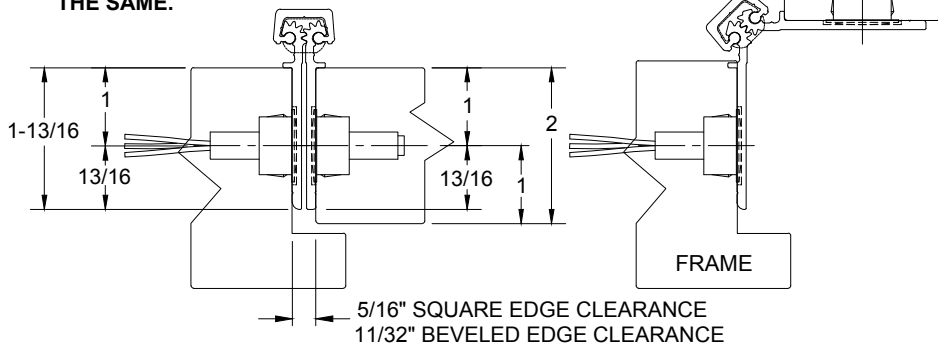
90° OPENING



180° OPENING

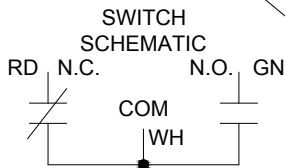


- NOTES:**
1. HINGES CUT TO CUSTOM LENGTH ARE CUT FROM BOTTOM OF HINGE.
 2. SPECIFY HANDING WHEN ORDERING.
 3. IF "M" OPTION (MOVEABLE PANEL) OR "R" OPTION (REMOVABLE PANEL) IS CHOSEN, TEMPLATE REMAINS THE SAME.

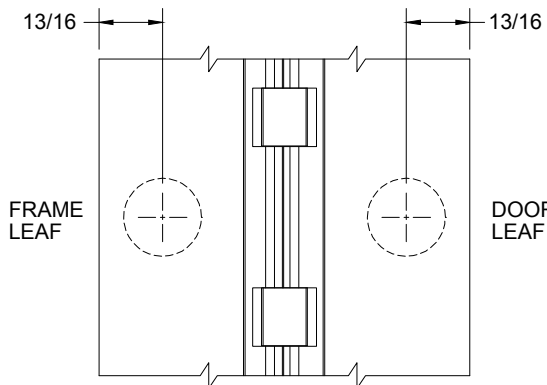
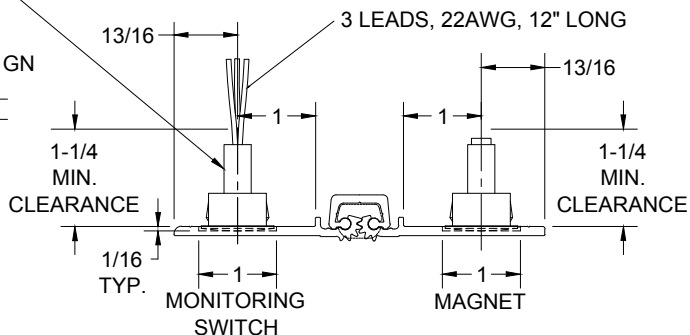


MAGNETIC MONITOR SWITCH VIEW, LEFT HAND SHOWN

NOTE: 7/8" DIA. MIN. CLEARANCE HOLE REQUIRED IN DOOR & FRAME FOR MONITORING SWITCH AND MAGNET



ELECTRICAL CONFIG.: SPDT
 MAX. INITIAL CONTACT RESISTANCE : 0.140 OHM
 MAX. CONTACT RATING: 5 WATT
 MAX. SWITCHING VOLTAGE: 175 VDC
 MAX. SWITCHING CURRENT: 0.25 AMP



MAGNETIC MONITOR SWITCH VIEW

