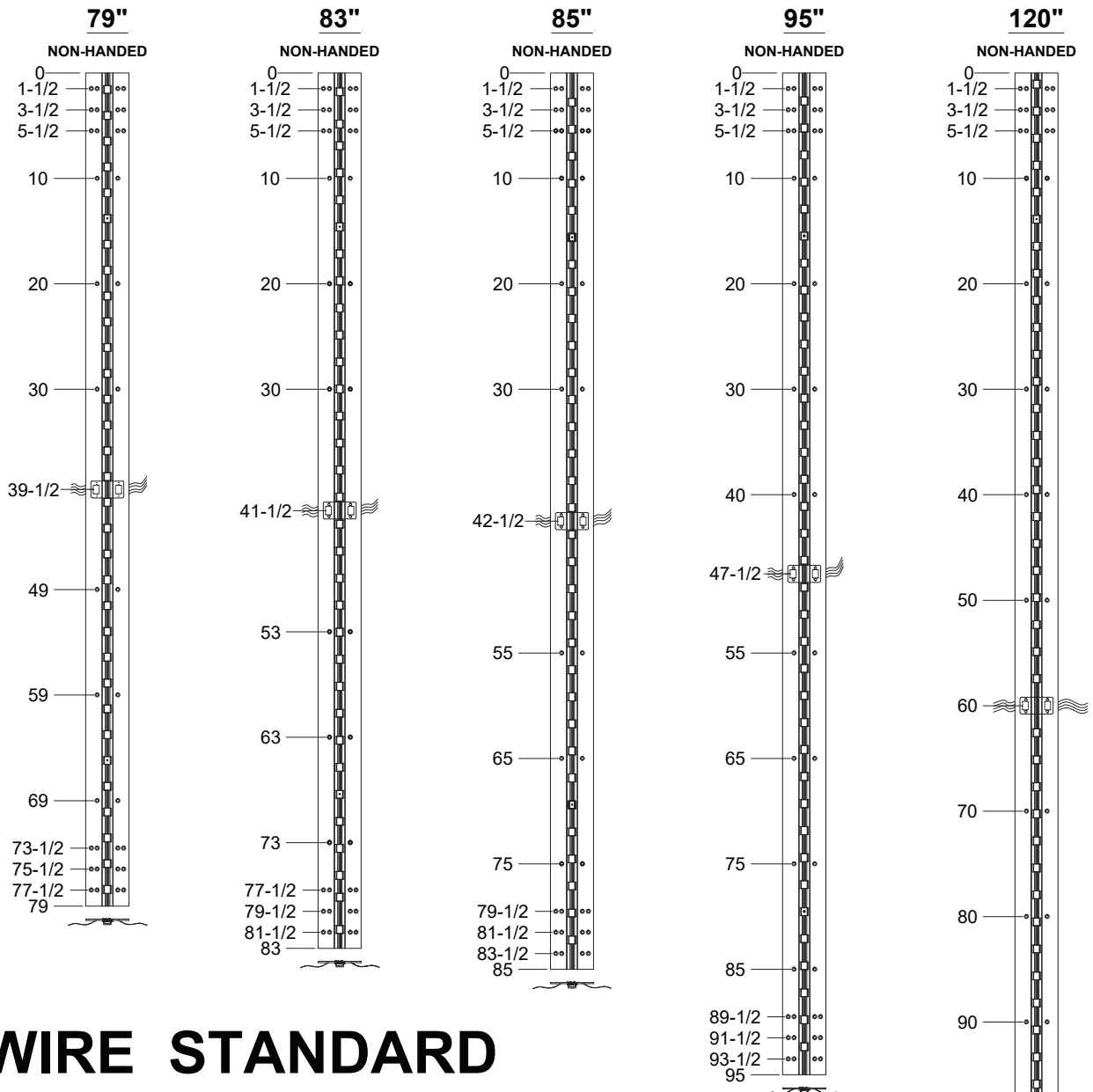


# 661HD - (CE - 12) 12 WIRE EASY ACCESS



## 12 WIRE STANDARD

### NOTES:

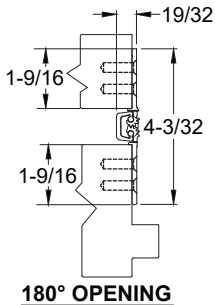
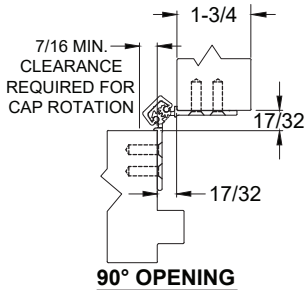
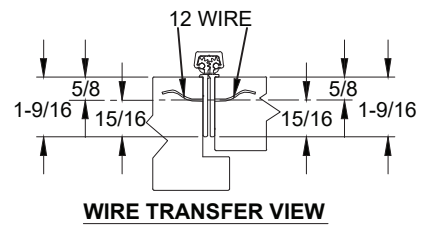
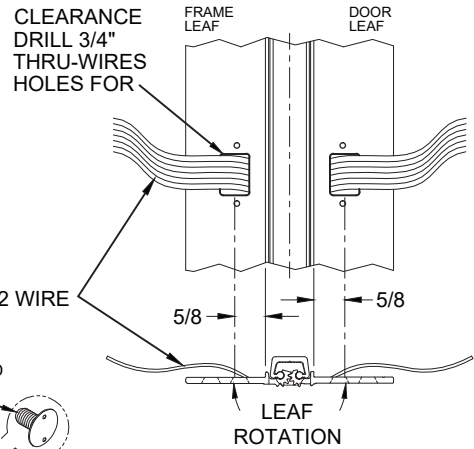
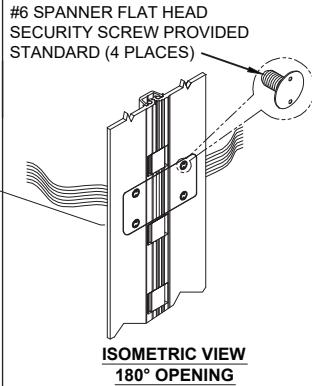
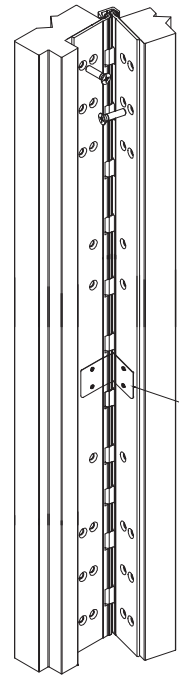
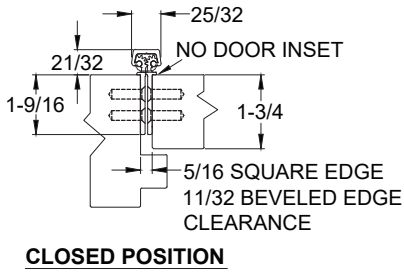
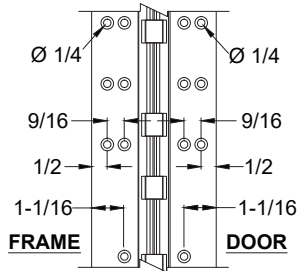
1. HINGES CUT TO CUSTOM LENGTH ARE CUT FROM BOTTOM OF HINGE. CUSTOM CUT HINGE REQUIRES HANDING.



| STANDARD HINGE SIZES & SCREW DETAIL |  |      |      |      |       |
|-------------------------------------|--|------|------|------|-------|
| NOMINAL DOOR HEIGHT                 | 6'8"   | 7'0" | 7'2" | 8'0" | 10'0" |
| ACTUAL HINGE LENGTH                 | 79"  | 83"  | 85"  | 95"  | 120"  |
| FRAME                               | 12-24 x 7/8" PHILLIPS FLAT HEAD, UNDERCUT, SELF DRILLING, THREAD FORMING TEK MACHINE SCREW |      |      |      |       |
| DOOR                                | 12-24 x 7/8" PHILLIPS FLAT HEAD, UNDERCUT, SELF DRILLING, THREAD FORMING TEK MACHINE SCREW |      |      |      |       |
|                                     | 18   | 18   | 18   | 20   | 22    |



# 661HD - (CE - 12) 12 WIRE EASY ACCESS



## SPECIFICATION:

**DESCRIPTION:** SINGLE CONDUCTOR #22 AWG WIRE FOR APPLICATIONS REQUIRING EXTREME FLEXIBILITY.

**CONDUCTOR:** #22 AWG 168/44 (0.002") SOFT BARE COPPER LHL.

**INSULATION:** PROPRIETARY FORMULATION PVC 0.010" NOM. WALL MEETS VW-1 FLAME REQUIREMENT.

**DIAMETER:** 0.053" ± 0.003".

**RESISTANCE:** 16.7 OHMS MAX. @ 20°C, PER 1000 FT.

**VOLTAGE RATING:** 600 VOLTS RMS, DEPENDING ON SPECIFICATION.

**AVAILABLE AS RoHS COMPLIANT.**

