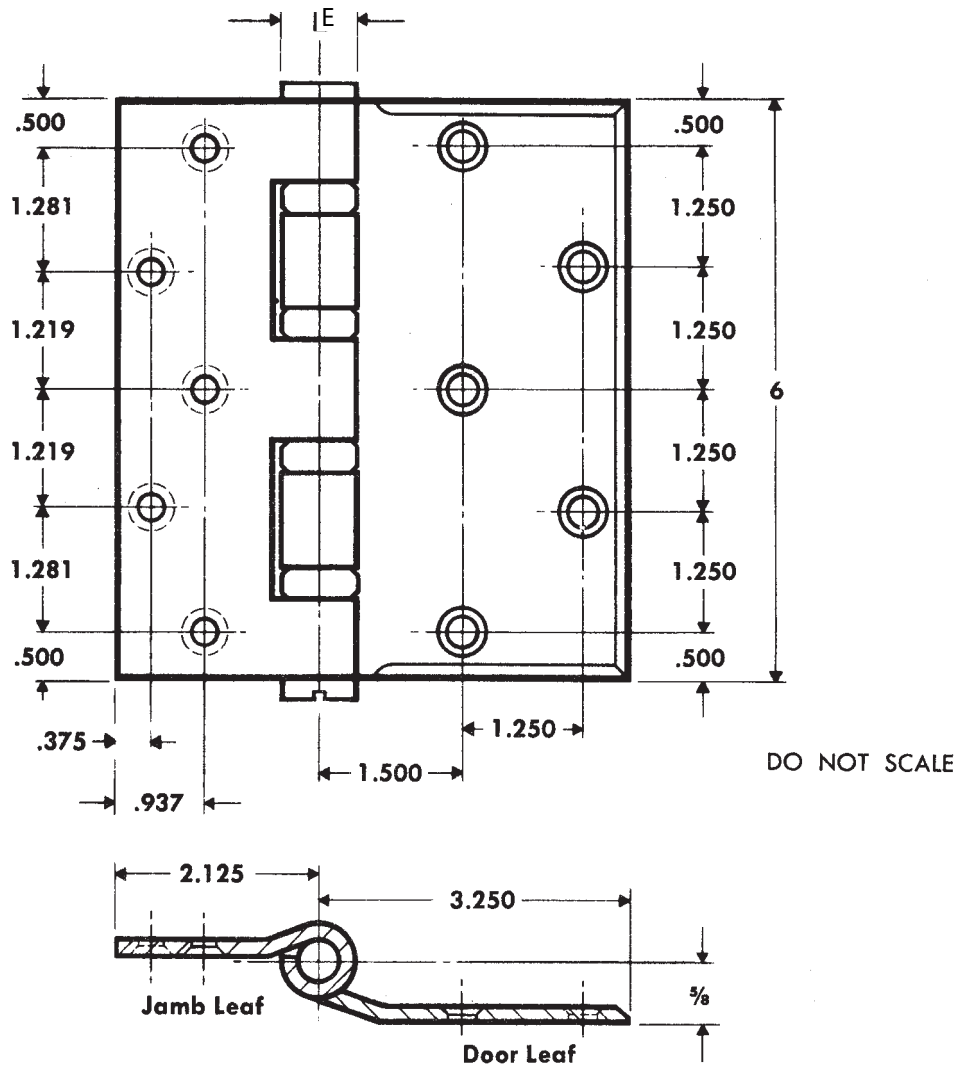


# HALF SURFACE TEMPLATE HINGE FOR DOORS 1<sup>3</sup>/<sub>4</sub>" THICK AND OVER

Size: 6"



CLASS NUMBER		Gauge of Metal	(E) Outside Diameter
Steel Hinges	Nonferrous Hinges		
CB163	CB113	0.203	0.847
FBB163	FBB113	0.203	0.847
CB1911	CB1971	0.203	0.735
CB1911R	CB1971R	0.203	0.847

Template hinges of the hospital type conform to above screw hole location. Hospital type hinges are designated by prefix "HT" to class number.

Machine Screw Size — Jamb Leaf — 1/2 x 1/4-20 F.H.

Door Leaf — 2 x 1/4-20 O.H.M.S. with grommet nut

This template conforms with ANSI standard A156.7.

