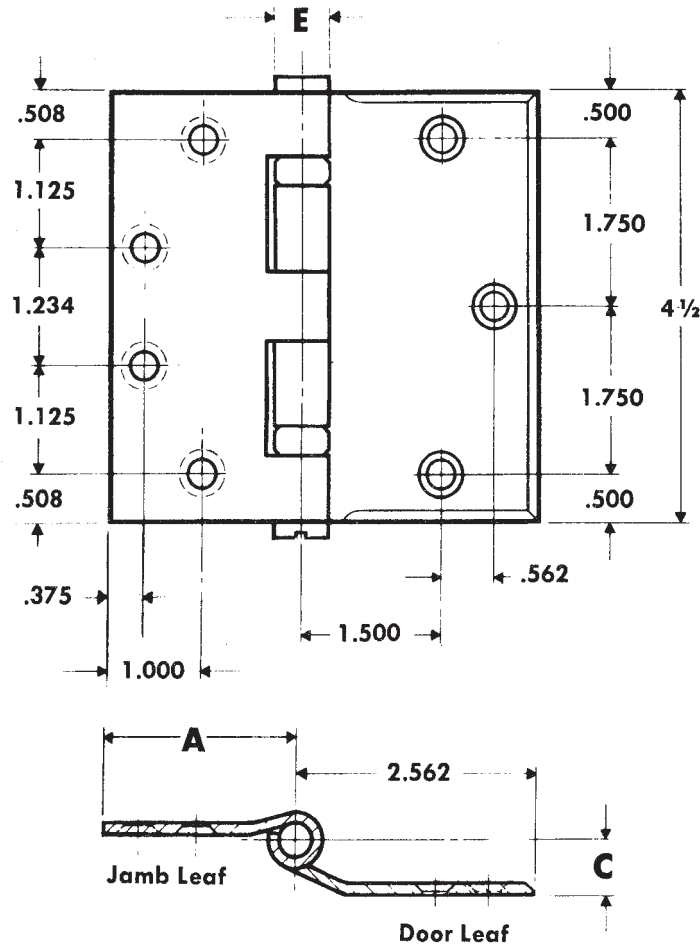


# HALF SURFACE TEMPLATE HINGES

Size: 4½"



DO NOT SCALE

CLASS NUMBER		Gauge of Metal	(A)	(C)	(E)
Steel Hinges	Nonferrous Hinges		Jamb Leaf	Door Leaf Offset	Outside Diameter
F173	—	0.134	2 1/16	9/16	0.605
1910	—	0.134	2 1/16	9/16	0.540
1910R	—	0.134	2 1/16	9/16	0.605
CB173	CB112	0.134	2 1/16	9/16	0.625
FBB173	FBB112	0.134	2 1/16	9/16	0.625
CB1910	CB1970	0.134	2 1/16	9/16	0.540
CB1910R	CB1970R	0.134	2 1/16	9/16	0.625
CB163	CB113	0.180	2 1/8	5/8	0.698
FBB163	FBB113	0.180	2 1/8	5/8	0.698
CB1911	CB1971	0.180	2 1/8	5/8	0.690
CB1911R	CB1971R	0.180	2 1/8	5/8	0.698

Template hinges of the hospital type conform to above screw hole location.

Hospital type hinges are designated by prefix "HT" to class number.

This template conforms with ANSI standard A156.7.

Machine Screw Size — Jamb Leaf — ½ × 12-24 F.H.

Door Leaf — 2 × ¼-20 O.H.M.S. with grommet nut

