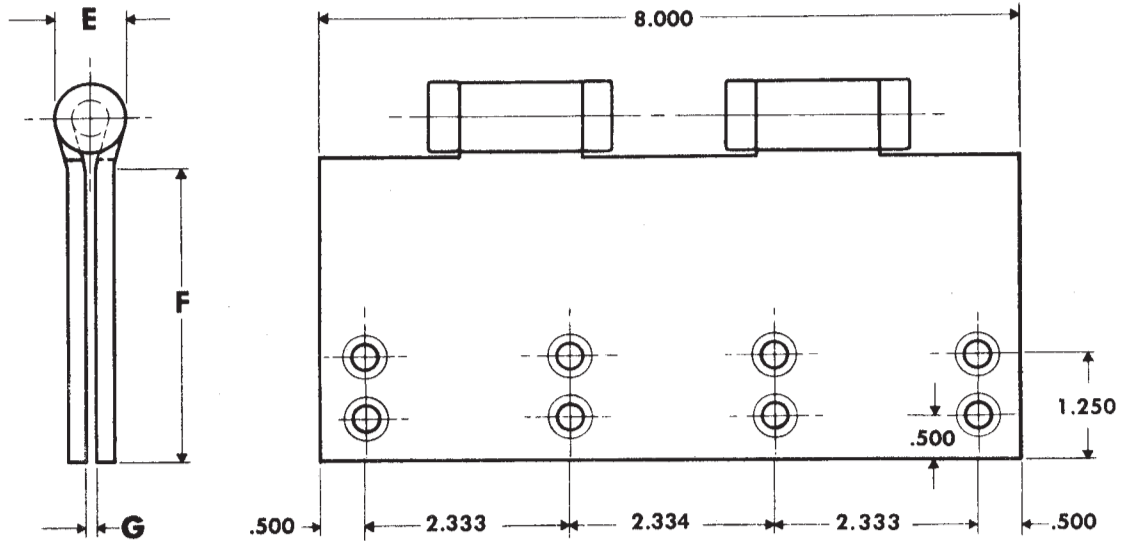
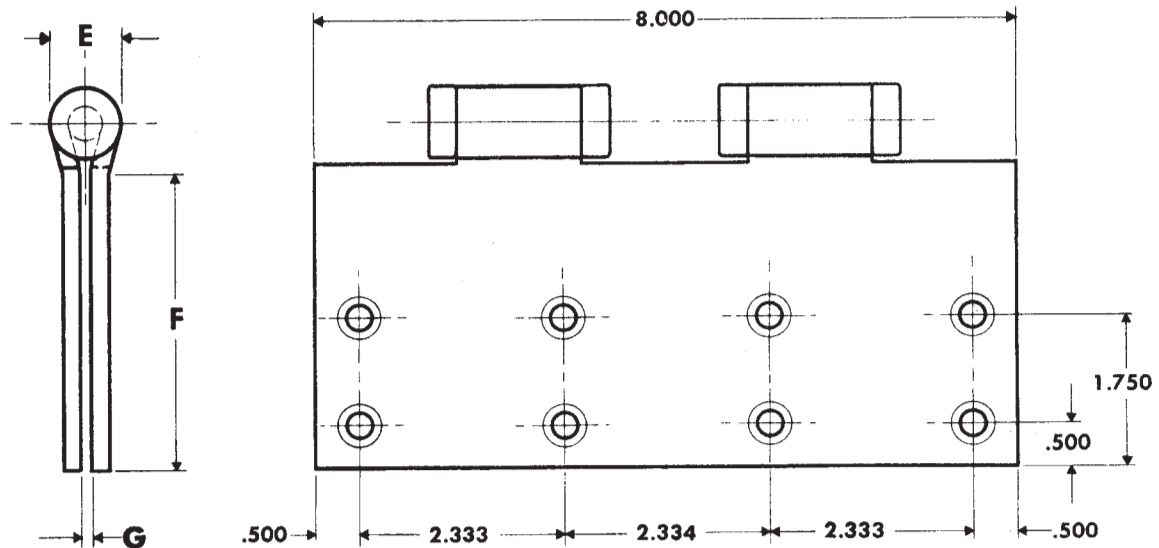


FULL MORTISE TEMPLATE BUTT HINGES

Sizes: 8 × 6 and 8 × 8”



NOTE: Above for doors 1¾ to 2¼ inches in thickness inclusive.



DO NOT SCALE

NOTE: Above for doors 2½ inches or more in thickness.

CLASS NUMBER		Gauge of Metal	(E) Outside Diameter	DISTANCE FROM EDGE OF LEAF TO SWAGE LINE (F)		G
Steel Hinges	Nonferrous Hinges			8 × 6	8 × 8	
CB168	CB199	0.203	0.847	2 1/4	3 1/4	1/16
FBB168	FBB199	0.203	0.847	2 1/4	3 1/4	1/16

Template hinges of the hospital type conform to above screw hole location. Hospital type hinges are designated by prefix "HT" to class number.

Machine Screw Size — ¼-20 × ½ F.H.

Wood Screw Size — No. 14 × 1½ F.H.

