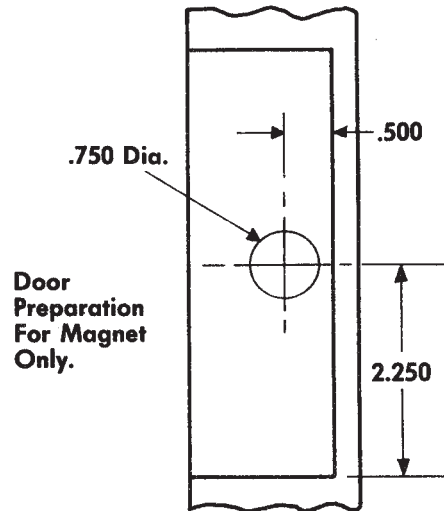
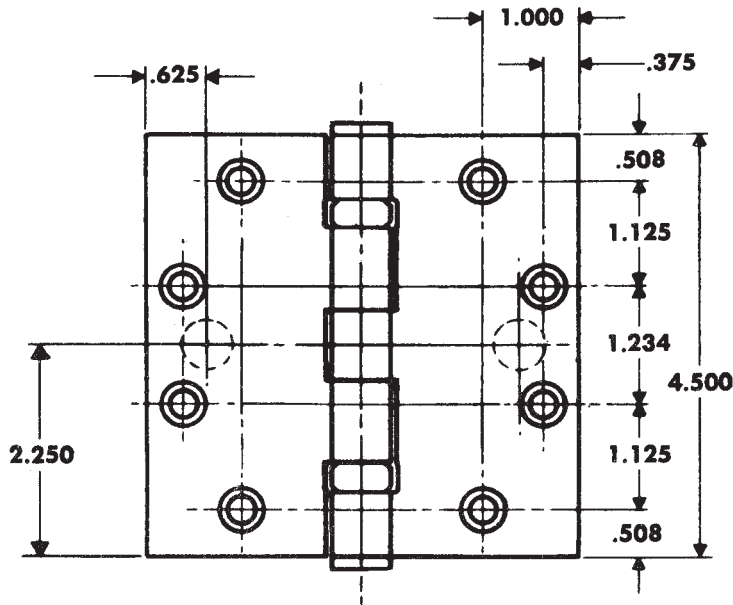


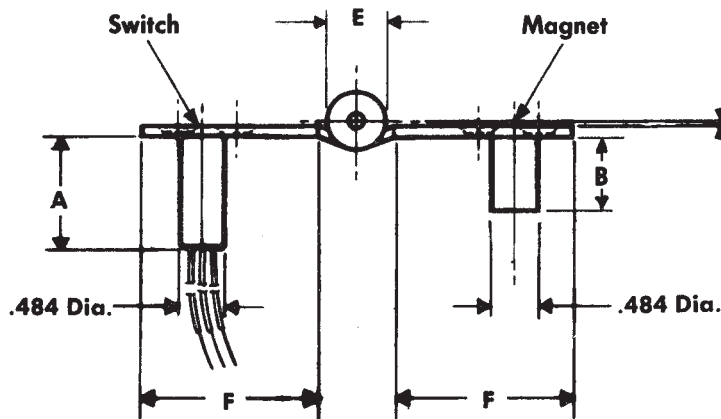
FULL MORTISE TEMPLATE BUTT HINGES WITH CONCEALED SWITCH

Sizes: 4½ × 4 and 4½ × 4½"



Door Preparation For Magnet Only.

Contractor should be cautioned to prevent mortar from interfering with wiring.



DO NOT SCALE

1/32 (1/16 clearance between parallel leaves when hinge is closed.)

NOTES:

- 1 Available with both a concealed switch and concealed wires. See templates T45-19 or T45-20.
- 2 0.750 diameter is the recommended hole size for switch housing clearance.
- 3 It is suggested that the hinge be mounted in the center or lower position on the door, rather than the top.
- 4 Switch mounts in jamb leaf. Arrangement for L.H. door shown. Specify hand when ordering.
- 5 Use JB-2R Junction Box. See Template T90-38R.

CLASS NUMBER		Gauge of Metal	(E) Outside Diameter	DISTANCE FROM EDGE OF LEAF TO SWAGE LINE (F)		A	B
Steel Hinges	Nonferrous Hinges			4½ × 4	4½ × 4½		
CSCB179	CSCB191	0.134	0.625	1 5/8	1 25/32	1.234	0.875
CSFBB179	CSFBB191	0.134	0.625	1 5/8	1 25/32	1.234	0.875
CSCB1900	CSCB1960	0.134	0.540	1 5/8	1 13/16	1.234	0.875
CSCB1900R	CSCB1960R	0.134	0.625	1 5/8	1 25/32	1.234	0.875
CSCB168	CSCB199	0.180	0.698	—	1 23/32	1.187	0.828
CSFBB168	CSFBB199	0.180	0.698	—	1 23/32	1.187	0.828
CSIHTCB168	CSIHTCB199	0.180	0.698	—	1 23/32	1.187	0.828
CSCB1901	CSCB1961	0.180	0.690	—	1 13/16	1.187	0.828
CSCB1901R	CSCB1961R	0.180	0.698	—	1 23/32	0.187	0.828
CSIHTCB1901	CSIHTCB1961	0.180	0.690	—	1 13/16	1.187	0.828
CSIHTCB1901R	CSIHTCB1961R	0.180	0.698	—	1 23/32	0.187	0.828

Machine Screw Size — 12-24 × ½ F.H.
Wood Screw Size — No. 12 × ¼ F.H.

NOTE: Prefix IHT indicates Institutional Hinge.

