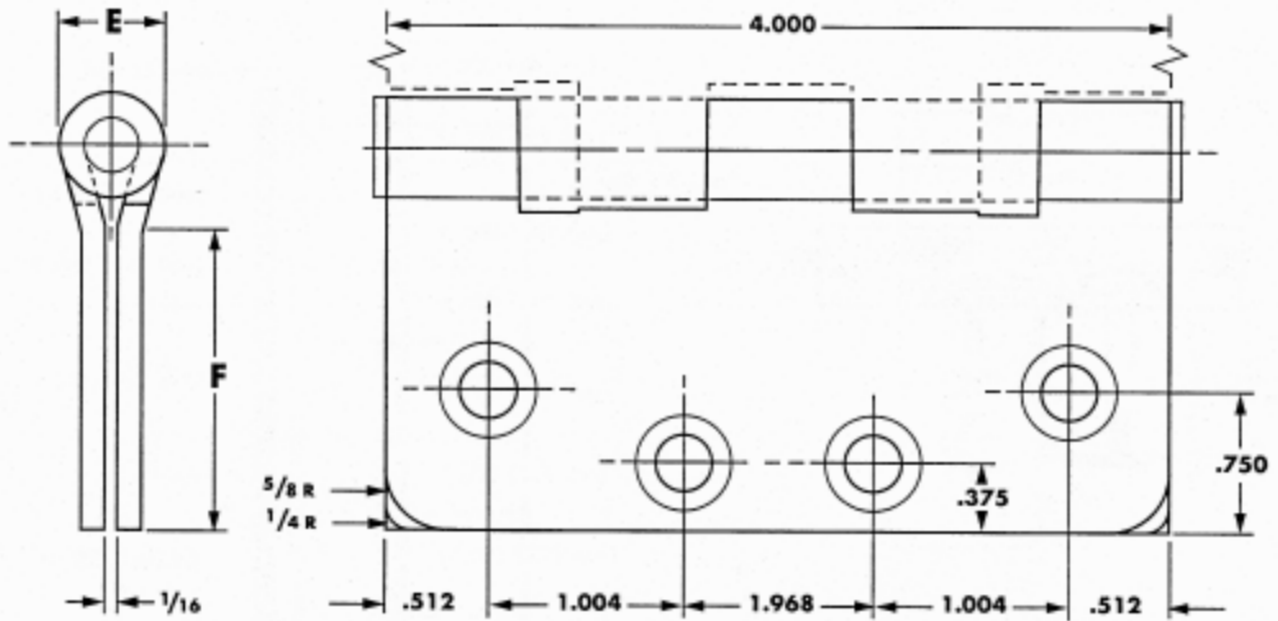


FULL MORTISE TEMPLATE BUTT HINGES

Sizes: 4 × 3½*, 4 × 4, 4 × 5, 4 × 6 and 4 × 7"



DO NOT SCALE

| CLASS NUMBER | | Gauge of Metal | (E) Outside Diameter | DISTANCE FROM EDGE OF LEAF TO SWAGE LINE (F) | | | | |
|--------------|-------------------|----------------|----------------------|--|-------|--------|--------|--------|
| Steel Hinges | Nonferrous Hinges | | | 4 × 3½ | 4 × 4 | 4 × 5 | 4 × 6 | 4 × 7 |
| F179 | F191 | 0.130 | 0.560 | 1 5/16 | 1 5/8 | 2 1/16 | 2 9/16 | 3 1/16 |
| 1900 | 1960 | 0.130 | 0.540 | 1 5/16 | 1 5/8 | — | — | — |
| 1900R | 1960R | 0.130 | 0.560 | 1 5/16 | 1 5/8 | 2 1/16 | 2 9/16 | 3 1/16 |
| CB179 | CB191 | 0.130 | 0.590 | 1 5/16 | 1 5/8 | 2 1/16 | 2 9/16 | 3 1/16 |
| FBB179 | FBB191 | 0.130 | 0.590 | 1 5/16 | 1 5/8 | 2 1/16 | 2 9/16 | 3 1/16 |
| CB1900 | CB1960 | 0.130 | 0.540 | — | 1 5/8 | — | — | — |
| CB1900R | CB1960R | 0.130 | 0.590 | 1 5/16 | 1 5/8 | 2 1/16 | 2 9/16 | 3 1/16 |

Template hinges of the hospital type conform to above screw hole location.

Hospital type hinges are designated by prefix "HT" to class number.

Also available "RD" radius corners (1/4 or 5/8).

Machine Screw Size — ½ × 12-24 F.H.

Wood Screw Size — 1¼ × No. 12 F.H.

This template conforms with ANSI standard A156.7.

*4 × 3 1/2 template can be used on doors 1 3/8 minimum thickness.

