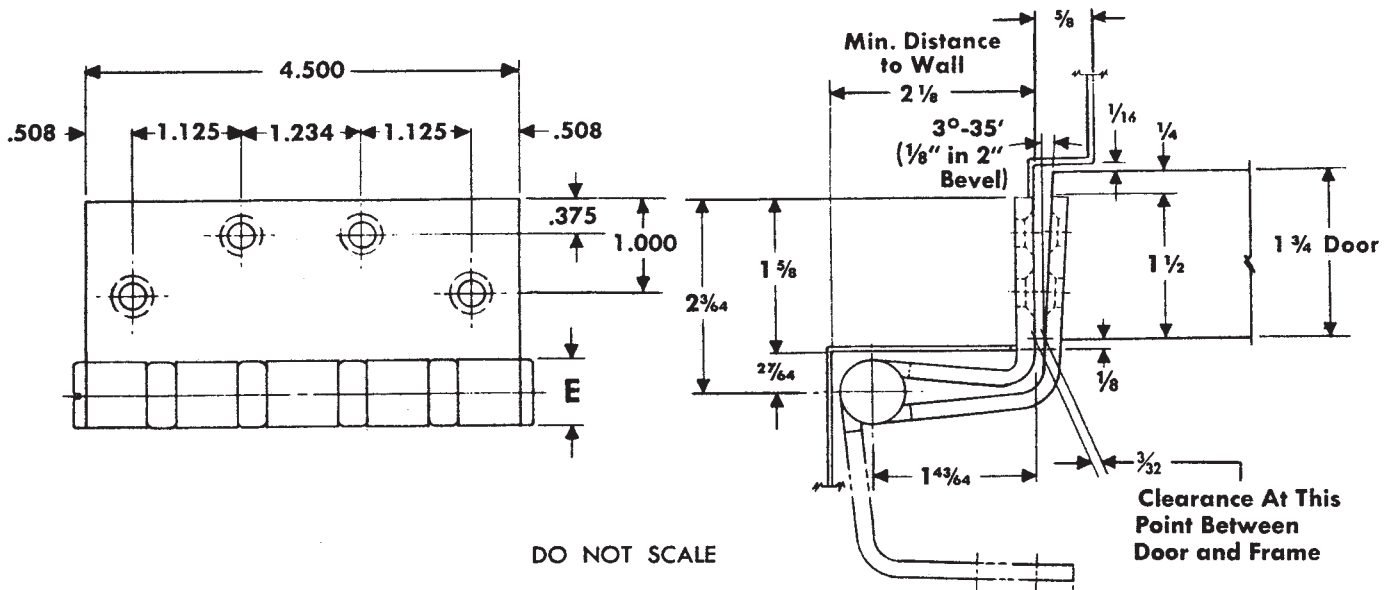


FULL MORTISE "SWING-CLEAR" TEMPLATE BUTT HINGES FOR DOORS WITH BEVELED EDGE HINGE STILE

Size: 4½"

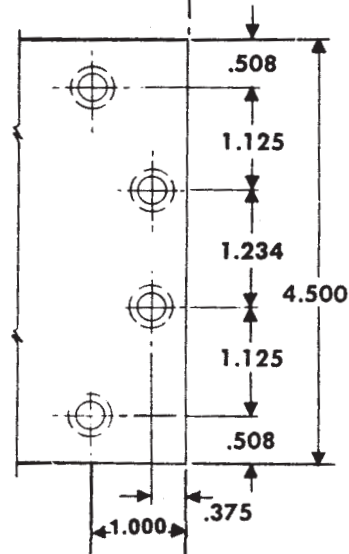


DO NOT SCALE

NOTES:

- 1 1¾ doors will clear opening at 90°.
- 2 This hinge alters the normal pivot point of door. For door closers, friction or overhead door hold-ers to be used in conjunction with this hinge, consult manufacturer of the device to be used for application details.

CAUTION: 1/8 and 2 beveled edge hinge stile shown. For other bevels — contact Stanley Hardware.



Class No.	Material	Gauge of Metal	(E) Outside Diameter
CB278	Steel	0.180	0.698
FBB278	Steel	0.180	0.698
CB1949	Steel	0.180	0.690
CB1949R	Steel	0.180	0.698

Template hinges of the hospital type conform to above screw hole location. Hospital type hinges are designated by prefix "HT" to class number.

Machine Screw Size — ½ × 12-24 F.H.
Wood Screw Size — 1¼ × No. 12 F.H.

