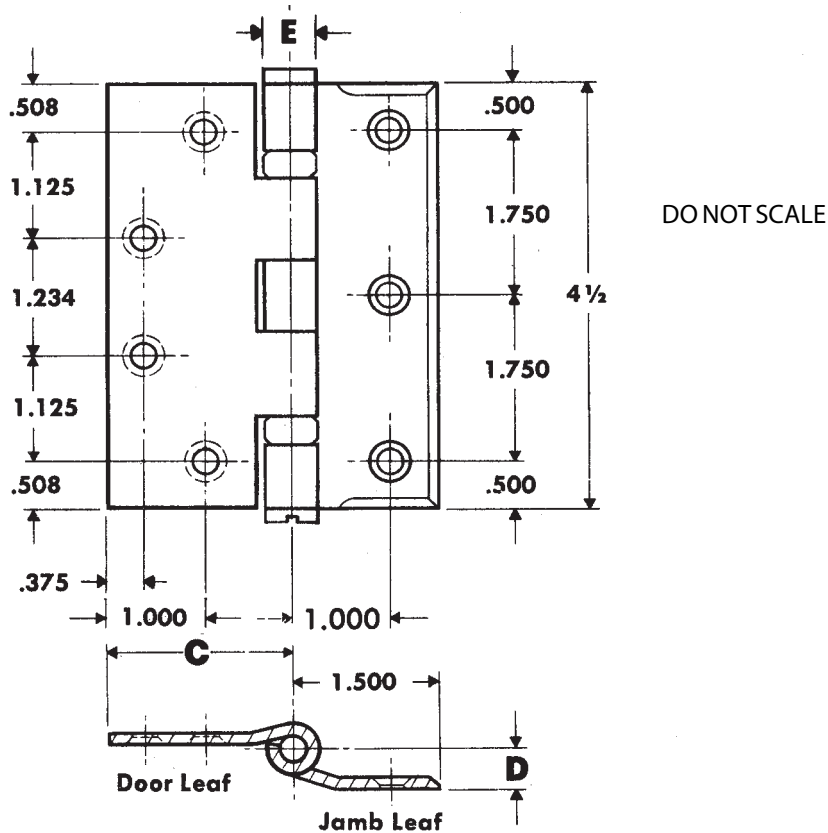


HALF MORTISE TEMPLATE HINGES

Size: 4 1/2"



CLASS NUMBER		Gauge of Metal	(C)	(D)	(E)
Steel Hinges	Nonferrous Hinges		Door Leaf	Jamb Leaf Offset	Outside Diameter
F167	—	0.134	2 1/16	7/16	0.605
1920R	—	0.134	2 1/16	7/16	0.605
CB167	CB108	0.134	2 1/16	7/16	0.625
FBB167	FBB108	0.134	2 1/16	7/16	0.625
CB1920	CB1980	0.134	2	3/8	0.540
CB1920R	CB1980R	0.134	2 1/16	7/16	0.625
CB138	CB98	0.180	2 1/8	1/2	0.698
FBB138	FBB98	0.180	2 1/8	1/2	0.698
CB1921	CB1981	0.180	2 1/16	7/16	0.690
CB1921R	CB1981R	0.180	2 1/8	1/2	0.698

Template hinges of the hospital type conform to above screw hole location. Hospital type hinges are designated by prefix "HT" to class number.

Machine Screw Size — Jamb Leaf — 1/2 x 12-24 O.H.
Door Leaf — 1/2 x 12-24 F.H.

This template conforms with ANSI standard A156.7.

