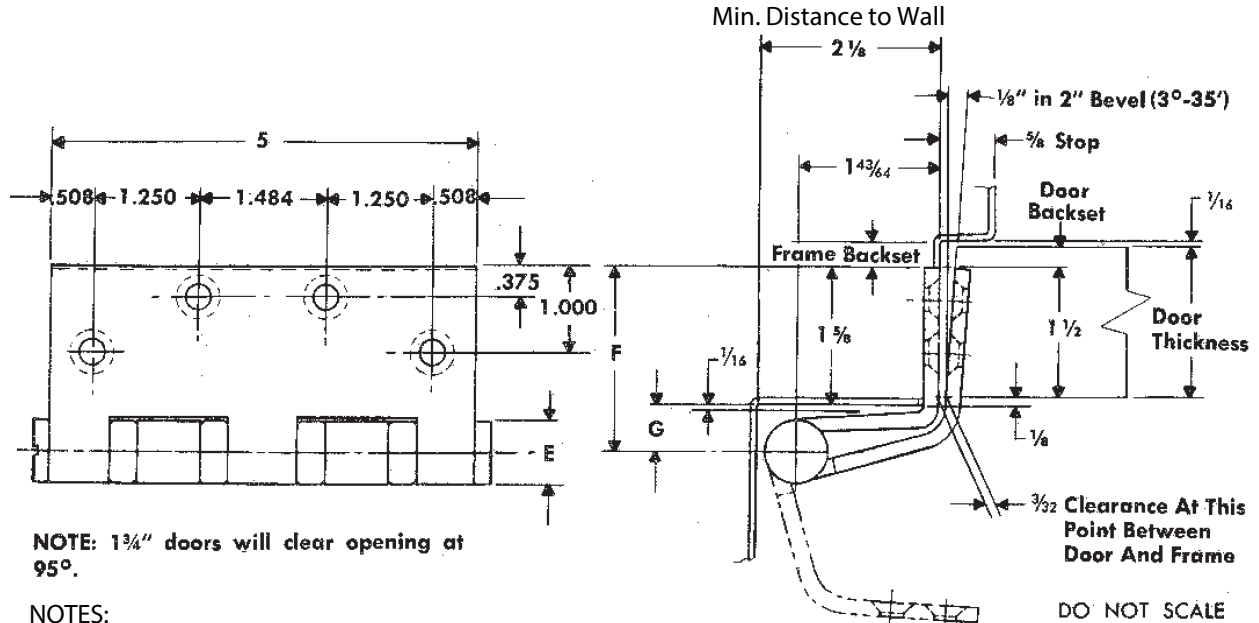


FULL MORTISE "SWING-CLEAR" TEMPLATE BUTT HINGES FOR DOORS WITH BEVELED EDGE HINGE STILES

Size: 5"



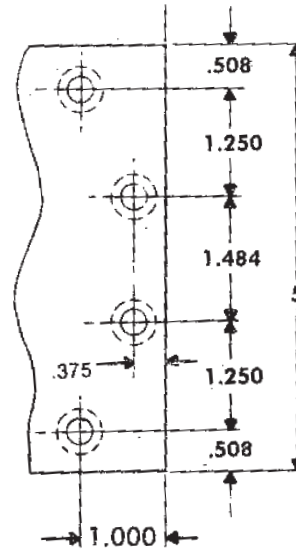
NOTE: 1 3/4" doors will clear opening at 95°.

NOTES:

- 1 1 3/4" doors will clear opening at 95°.
- 2 This hinge alters the normal pivot point of door. For door closers, friction or overhead door holders to be used in conjunction with this hinge, consult manufacturer of the device to be used for application details.
- 3 Backsets which apply when swing-clear hinge for beveled edge hinge stile is used on door thickness indicated and when the usual 1/16 stop clearance is desired.

Door Thickness	Backset on Door	Backset on Frame
1 3/4	1/4	5/16
2	1/2	9/16
2 1/4	3/4	13/16

CAUTION: 1/8 in 2 beveled edge hinge stile shown. For other bevels — contact Stanley Hardware.



Class No.	Material	Gauge of Metal	(E) Outside Diameter	F	G
CB278 With beveled door leaf	Steel	0.190	0.748	2 1/8	1/2
FBB278 With beveled door leaf	Steel	0.190	0.748	2 1/8	1/2
CB1949 With beveled door leaf	Steel	0.190	0.715	2 3/32	15/32
CB1949R With beveled door leaf	Steel	0.190	0.748	2 1/8	1/2

Template hinges of the hospital type conform to above screw hole location. Hospital type hinges are designated by prefix "HT" to class number.

Machine Screw Size — 1/2 x 12-24 F.H.

Wood Screw Size — 1 1/2 x No. 12 F.H.

