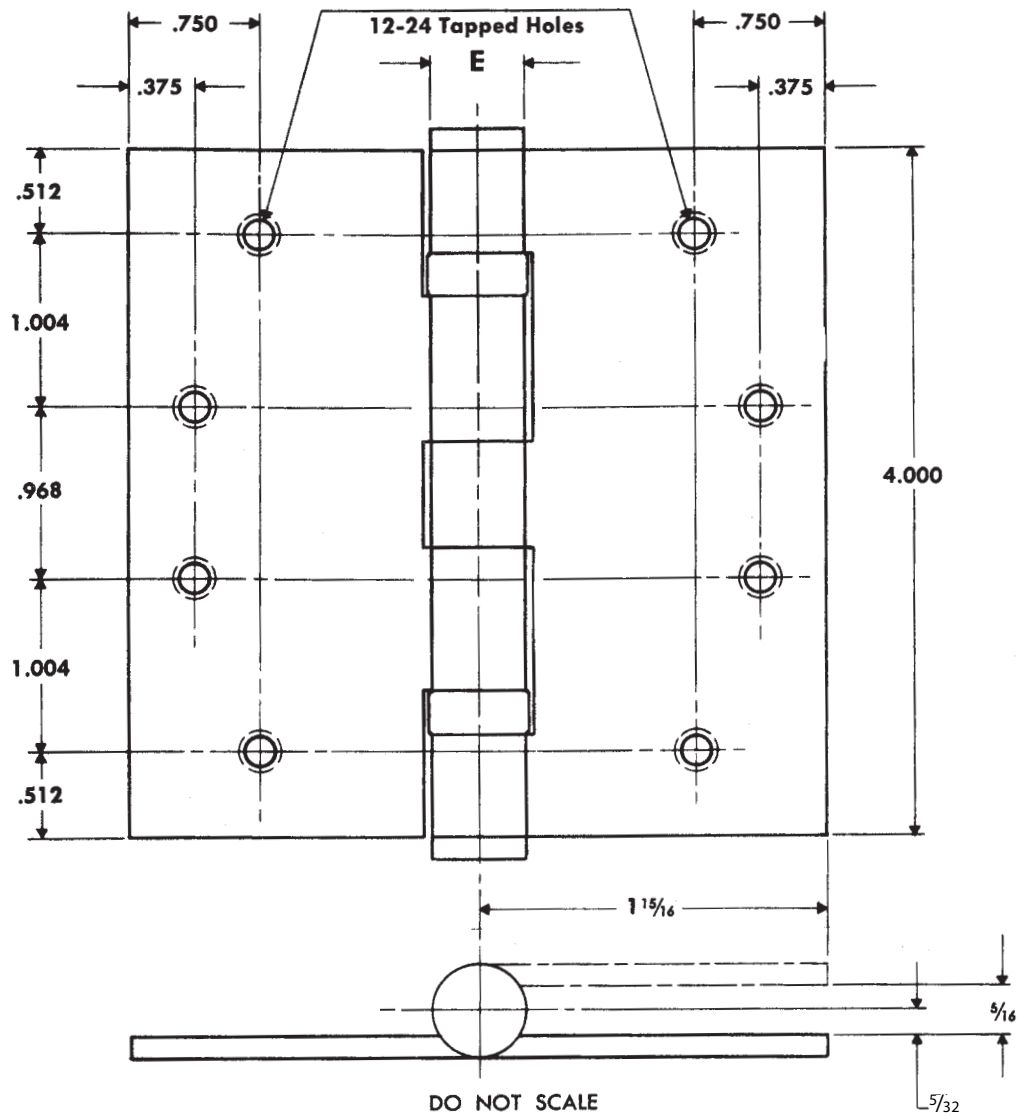


SLIP-IN FULL MORTISE TEMPLATE BUTT HINGES APPLICATION B

Size: 4×4"



CLASS NUMBER		Gauge of Metal	(E) Outside Diameter
Steel Hinges	Nonferrous Hinges		
Slip-in CB179	Slip-in CB191	0.130	0.590
Slip-in FBB179	Slip-in FBB191		
Application B	Application B		
Slip-in CB1900	Slip-in CB1960	0.130	0.540
Application B	Application B		
Slip-in CB1900R	Slip-in CB1960R	0.130	0.590
Application B	Application B		

Machine Screw Size — ½ × 12-24 F.H.

