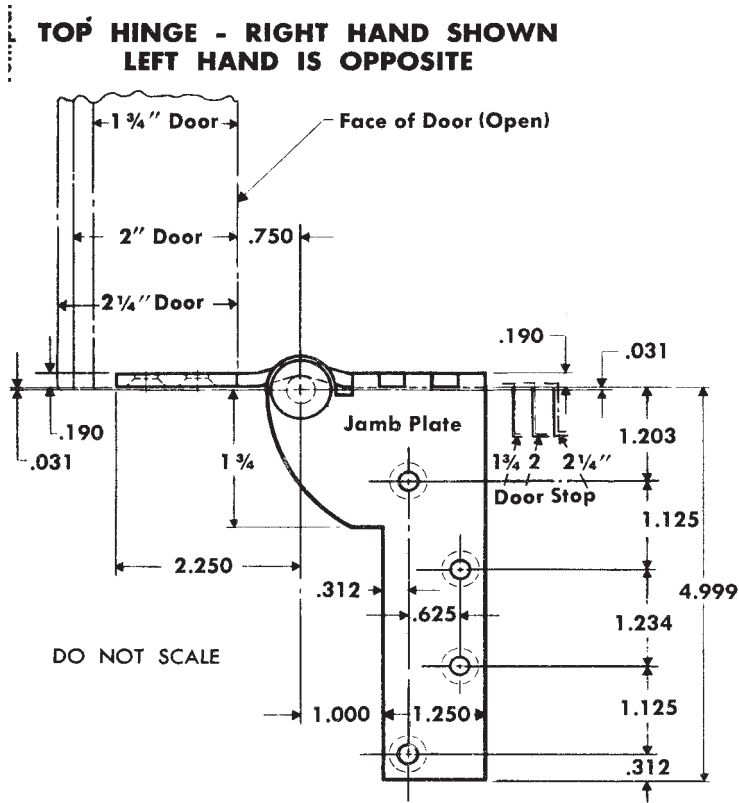


FULL MORTISE TEMPLATE PIVOT REINFORCED HINGES

Size: 5 × 4½"

For use with concealed door holders, closers and operators which do not permit use of types shown on templates T50-08, T50-09, T50-10 or T50-11.



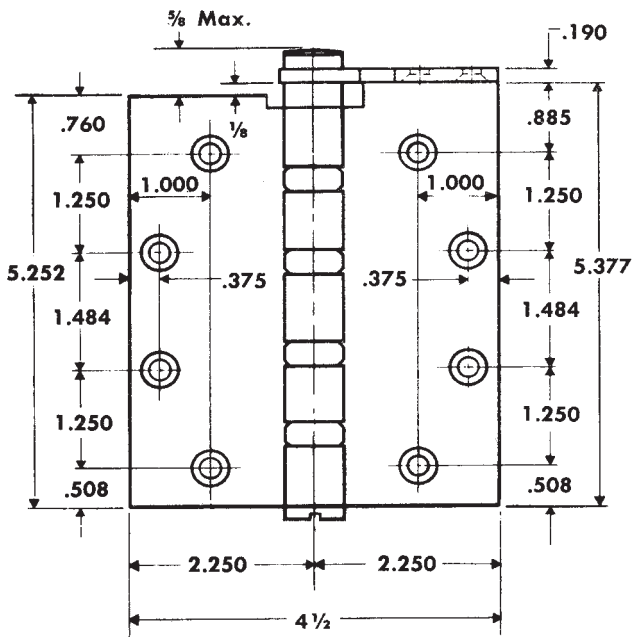
SET CLASS NO.		Gauge of Metal
Steel	Nonferrous	
CB211	CB221	0.190
FBB211	FBB221	0.190
CB1907	CB1967	0.190
CB1907R	CB1967R	0.190

Machine Screw Size — ½ × 12-24 F.H.
Wood Screw Size — 1½ × No. 12 F.H.

NOTE: Backsets which apply when pivot-reinforced hinge is used on door thickness indicated and when the usual 1/16 stop clearance is desired.

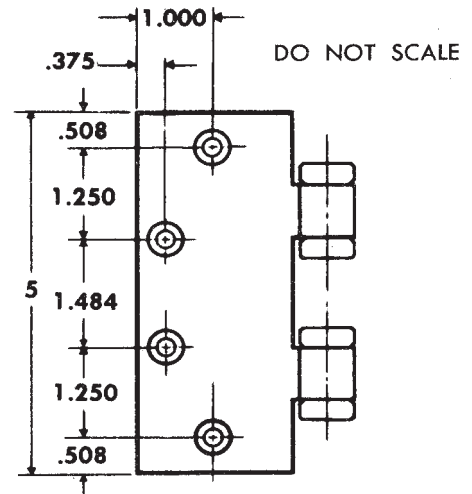
Door Thickness	*Backset on Door	*Backset on Frame
1 3/4	1/4	5/16
2	1/2	9/16
2 1/4	3/4	13/16

*CAUTION: These backsets must be used on ALL hinges in set.



CENTER AND BOTTOM HINGES

Size—5 × 4½
Gauge of Metal — .190



Machine Screw Size — ½ × 12-24 F.H.
Wood Screw Size — 1½ × No. 12 F.H.

