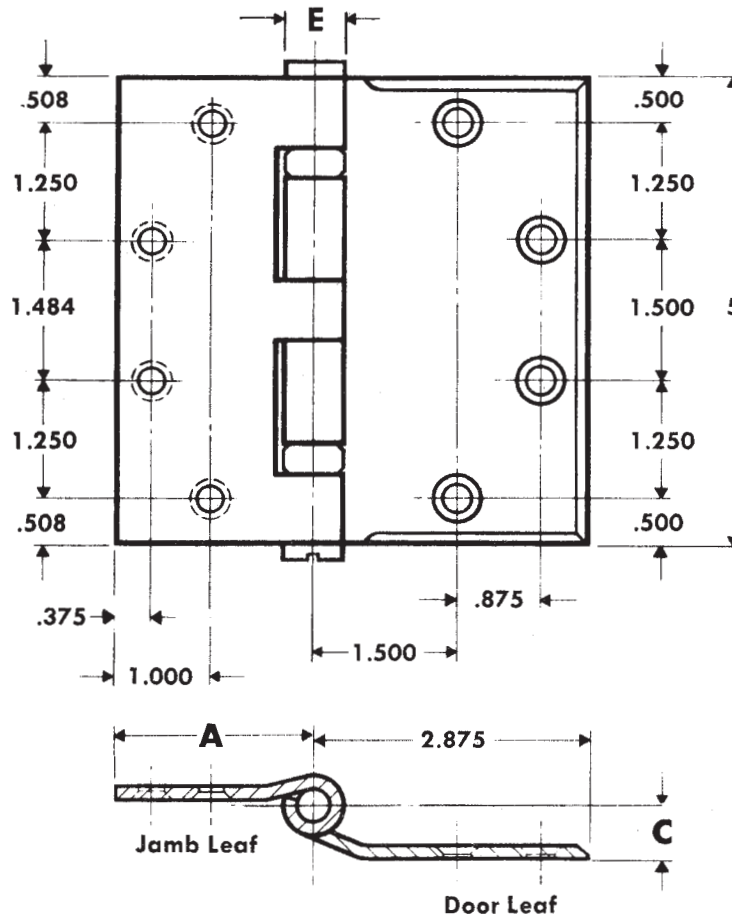


HALF SURFACE TEMPLATE HINGES

Size: 5"



CLASS NUMBER		Gauge of Metal	(A)	(C)	(E)
Steel Hinges	Nonferrous Hinges		Jamb Leaf	Jamb Leaf Offset	Outside Diameter
CB173	CB112	0.146	2 1/16	9/16	0.669
FBB173	FBB112	0.146	2 1/16	9/16	0.669
CB1910	CB1970	0.146	2 1/32	17/32	0.580
CB1910R	CB1970R	0.146	2 1/16	9/16	0.669
CB163	CB113	0.190	2 1/8	5/8	0.748
FBB163	FBB113	0.190	2 1/8	5/8	0.748
CB1911	CB1971	0.190	2 3/32	19/32	0.715
CB1911R	CB1971R	0.190	2 1/8	5/8	0.748

Template hinges of the hospital type conform to above screw hole location. Hospital type hinges are designated by prefix "HT" to class number.

Machine Screw Size — Jamb Leaf — ½ × 12-24 F.H.

Door Leaf — 2 × ¼-20 O.H.M.S. with grommet nut

This template conforms with ANSI standard A156.7.

