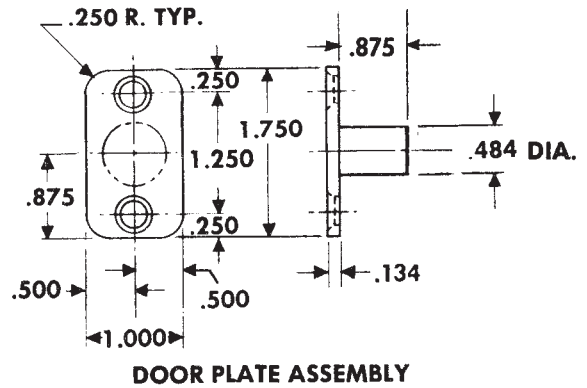
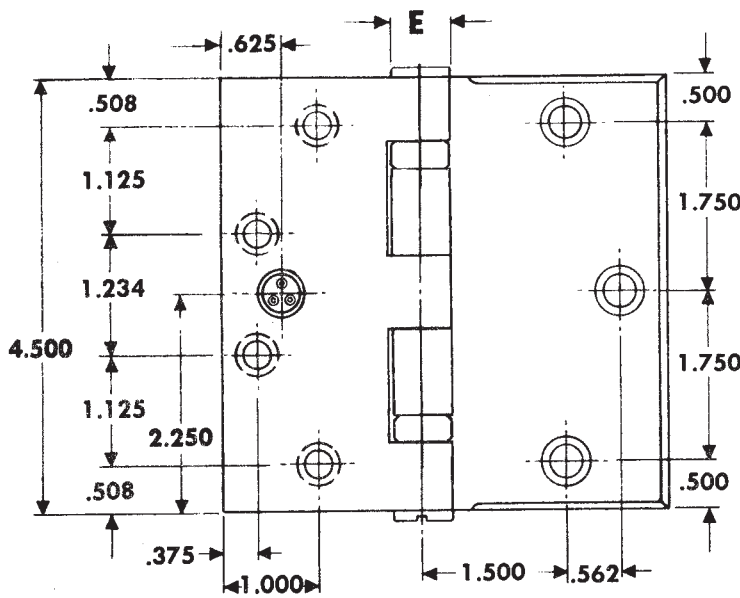


HALF SURFACE TEMPLATE HINGES WITH CONCEALED SWITCH

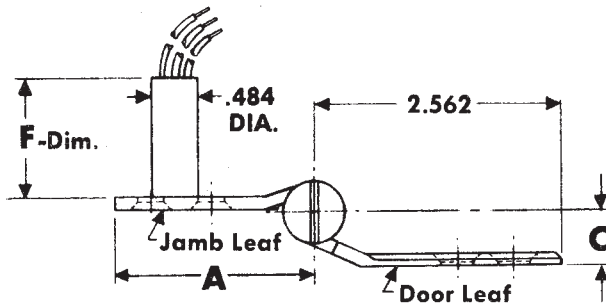
Size: 4½"



Contractor should be cautioned to prevent mortar from interfering with wiring.

NOTES:

- 1 Switch mounts in jamb leaf. Arrangement for R.H. door shown. Specify hand when ordering.
- 2 0.750 diameter is the recommended hole size for switch housing clearance.
- 3 It is suggested that the hinge be mounted in the center or lower position on the door, rather than the top.
- 4 Use JB-2R Junction Box. See Template T90-38R.



Class Number	Material	Gauge of Metal	(A) Jamb Leaf	(C) Door Leaf Offset	(E) Outside Diameter	(F) Dimension
CSCB173	Steel	0.134	2 1/16	9/16	0.625	1.234
CSFBB173	Steel	0.134	2 1/16	9/16	0.625	1.234
CSCB163	Steel	0.180	2 1/8	5/8	0.698	1.187
CSFBB163	Steel	0.180	2 1/8	5/8	0.698	1.187
CSCB1910	Steel	0.134	2	1/2	0.540	1.234
CSCB1911	Steel	0.180	2 1/16	9/16	0.690	1.187

Threaded tip permits reversing hinge to suit application.

Machine Screw Size — Jamb Leaf — 12-24 x ½ F.H.

Door Leaf — ¼-20 x 2 O.H.M.S. with grommet nut

Door Plate Assembly — No. 10 x 1 FL. HD. WD. SCRS.

This template conforms with ANSI standard A156.7.

