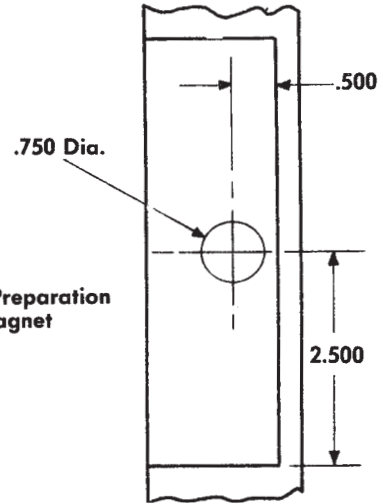
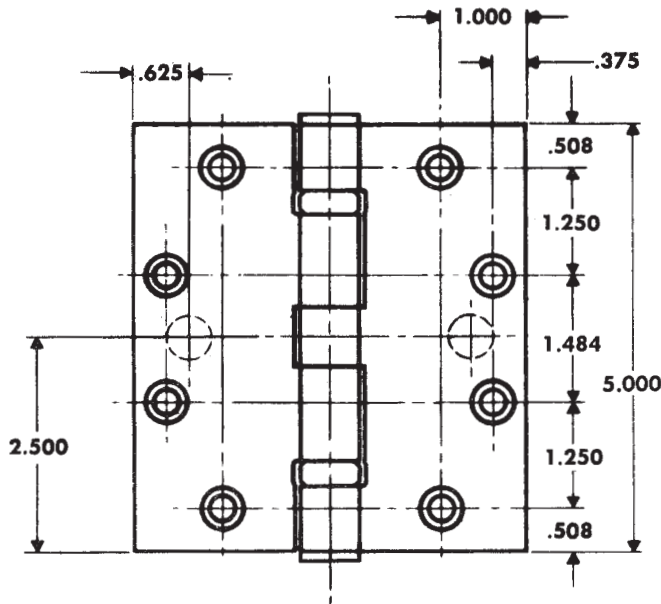


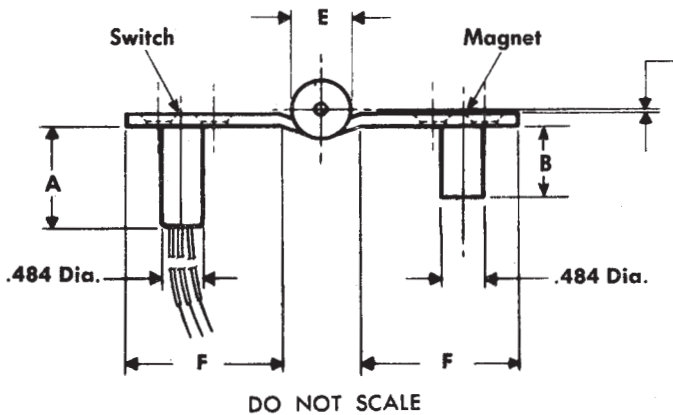
FULL MORTISE TEMPLATE BUTT HINGES WITH CONCEALED SWITCH

Size: 5 × 4½"



Door Preparation For Magnet Only.

Contractor should be cautioned to prevent mortar from interfering with wiring.



1/32 (1/16 clearance between parallel leaves when hinge is closed.)

NOTES:

- 1 Available with both a concealed switch and concealed wires. See templates T50-19 or T50-20.
- 2 0.750 diameter is the recommended hole size for switch housing clearance.
- 3 It is suggested that the hinge be mounted in the center or lower position on the door, rather than the top.
- 4 Switch mounts in jamb leaf. Arrangement for L.H. door show. Specify hand when ordering.
- 5 Use a JB-2R Junction Box. See Template T90-38R.

CLASS NUMBER		Gauge of Metal	(E) Outside Diameter	DISTANCE FROM EDGE OF LEAF TO SWAGE LINE (F)	A	B
Steel Hinges	Nonferrous Hinges					
CSCB179	CSCB191	0.146	0.669	5 × 4½	1.218	0.859
CSFBB179	CSFBB191	0.146	0.669	1 13/16	1.218	0.859
CSCB1900	CSCB1960	0.146	0.580	1 55/64	1.218	0.859
CSCB1900R	CSCB1960R	0.146	0.669	1 13/16	1.218	0.859
CSCB168	CSCB199	0.190	0.748	1 23/32	1.172	0.812
CSFBB168	CSFBB199	0.190	0.748	1 23/32	1.172	0.812
CSIHTCB168	CSIHTCB199	0.190	0.748	1 23/32	1.172	0.812
CSCB1901	CSCB1961	0.190	0.715	1 13/16	1.172	0.812
CSCB1901R	CSCB1961R	0.190	0.015	1 23/32	1.172	0.812
CSIHTCB1901	CSIHTCB1961	0.180	0.715	1 13/16	1.172	0.812
CSIHTCB1901R	CSIHTCB1961R	0.190	0.748	1 23/32	1.172	0.812

Machine Screw Size — 12-24 × ½ F.H.

Wood Screw Size — No. 12 × ¼ F.H. for standard weight (0.146) hinges
 No. 12 × ½ F.H. for heavy weight (0.190) hinges



T50-17_B