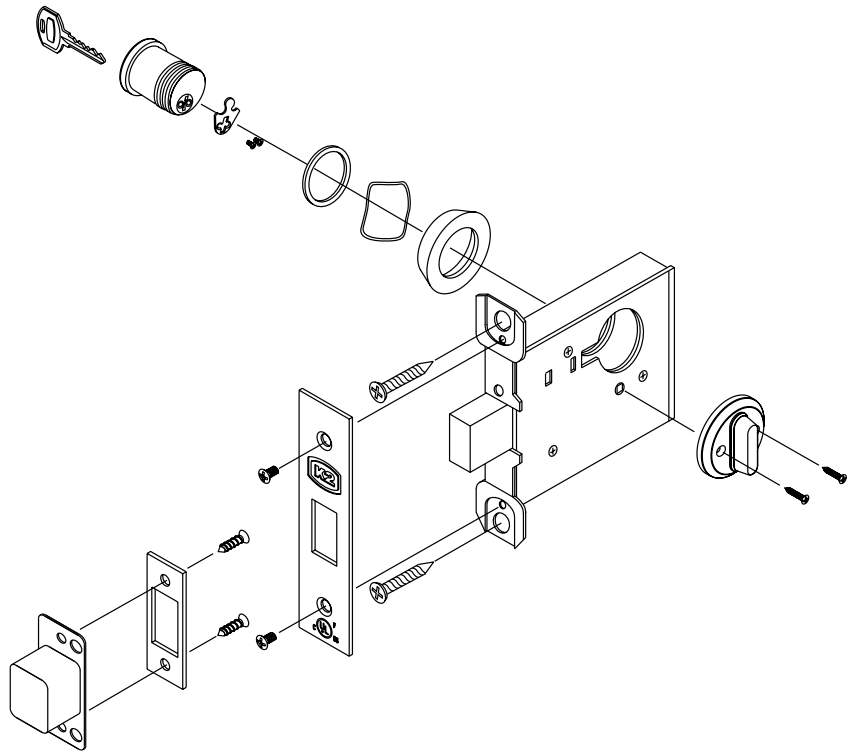


Installation Instructions

QML100 Series Grade 1

Heavy-Duty Mortise Deadlocks



Functions	ANSI		Description	Case Qty
QML180 <i>Single Cylinder</i>	E06071		Deadbolt operated by key from outside and by turn from inside.	10
QML182 <i>Double Cylinder</i>	E06061		Deadbolt operated by key from either side.	10
QML184 <i>Cylinder Only</i>	E06061		Deadbolt operated by key from one side only.	10
QML186 <i>Classroom*</i>	E06061		Deadbolt operated by key from outside. Turn on inside retracts but does not project the deadbolt.	10

NOTES:

Consult factory for lead times on 605, 606, 619 & 625 finishes.

*Classroom function requires handed cylinder turn. Specify handing when ordering.

How to Order QML100 Series Grade 1 Heavy-Duty Mortise Deadlocks

80	Single Cylinder
82	Double Cylinder
84	Cylinder Only
86	Classroom

KD	Keyed Different
KA	Keyed Alike
SK	Special Keying
	-Construction Keyed
	-Construction Master Keyed
	-Maison Keyed
	-Master Keyed
	-Grand Master Keyed
	-Great Grand Master Keyed
ZB	Zero Bitted

Base Part Number						
Series	Function	Finish	Handing*	Keyway	# of Pins	Keying
QML1	86	626	RH	KW	6	KD

605	Bright Brass
606	Satin Brass
613	Oil Rubbed Bronze
619	Satin Nickel
625	Bright Chrome
626	Satin Chrome

BF	BEST
KW	Kwikset "KW"
WE	Weiser "E"
SC	Schlage "C"
GA	Yale "GA"
LA	Sargent "LA"
LC	Less Cylinder

QML186 Only*	
RH	Right Hand
LH	Left Hand

MECHANICAL LOCKS

Example

If you ordered: QML186 626 RH KW6 KD

You would get: Grade 1 Classroom Mortise Lock, Satin Chrome, Right-Hand, Kwikset Keyway, Keyed Different.

NOTES:

Consult factory for lead times on 605, 606, 619 & 625 finishes.

*Classroom function requires handed cylinder turn. Specify handing when ordering.