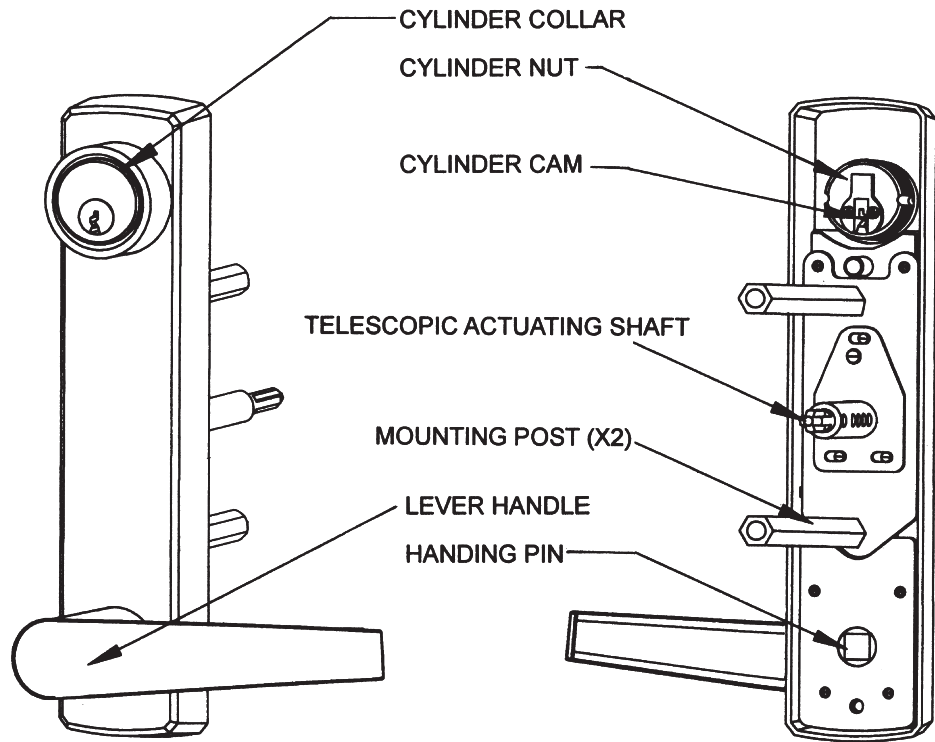


NARROW STILE LEVER TRIM INSTALLATION INSTRUCTIONS

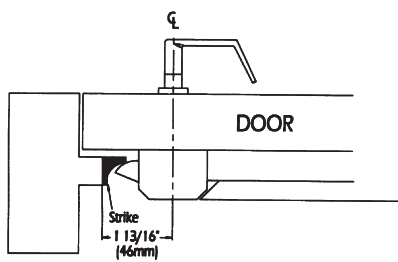
Trims covered by these instructions:
 Cylinder Escutcheon (CE) – Key locks & unlocks lever
 Blank Escutcheon (BE) – Lever is always operable
 Night Latch Escutcheon (NL) – Key retracts latch bolt
 Dummy Escutcheon (DE) – Pull when dogged



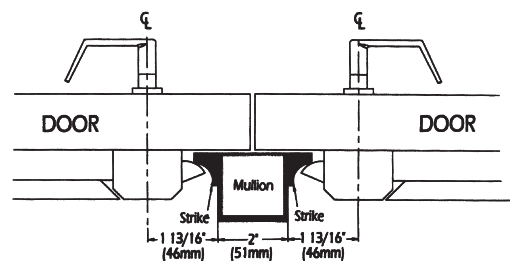
(This trim is Cylinder Escutcheon shown)

DOOR APPLICATIONS

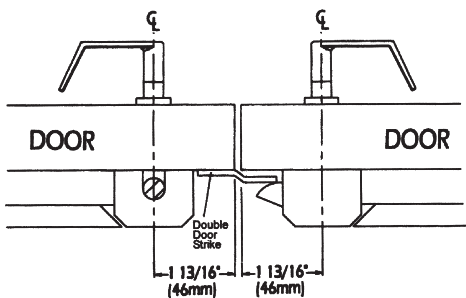
Single Door with Rim Exit Device



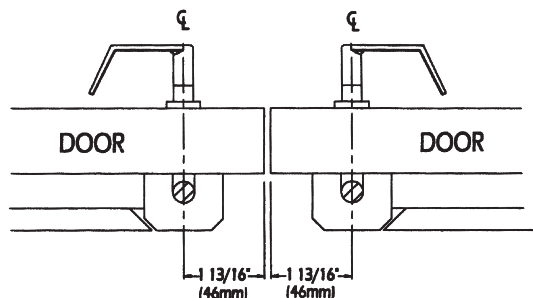
Double Door with Two Rim Exit Devices and Removable Mullion



Double Door with One Rim Exit Device and One Surface Vertical Rod Exit Device

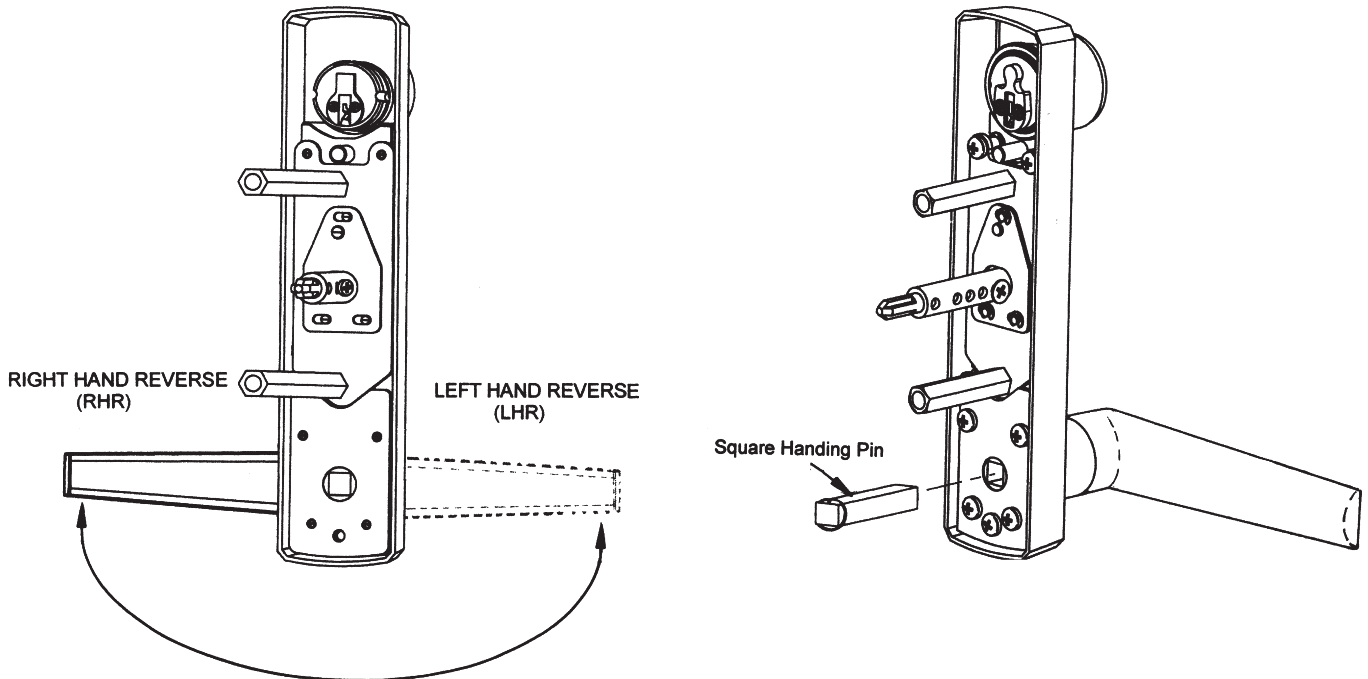


Double Door with Two Surface Vertical Rod Exit Devices



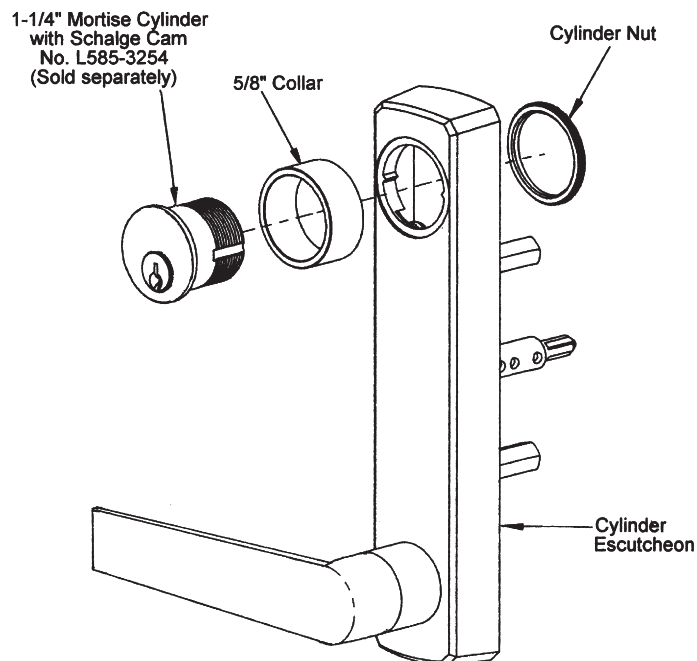
A. SET HANDING

1. Rotate lever handle to the right or left direction to match the desired door handing.
Skip to step 2 for Dummy Trim and Night Latch Trim models.
2. Align the handle for the desired door handing then insert the square handing pin into the hub.



B. INSTALL MORTISE CYLINDER (For CE Trim model only)

1. Install mortise cylinder into collar and escutcheon trim with cam up position.
2. From the back of the trim escutcheon, to screw cylinder nut onto the mortise cylinder until it is tightened.

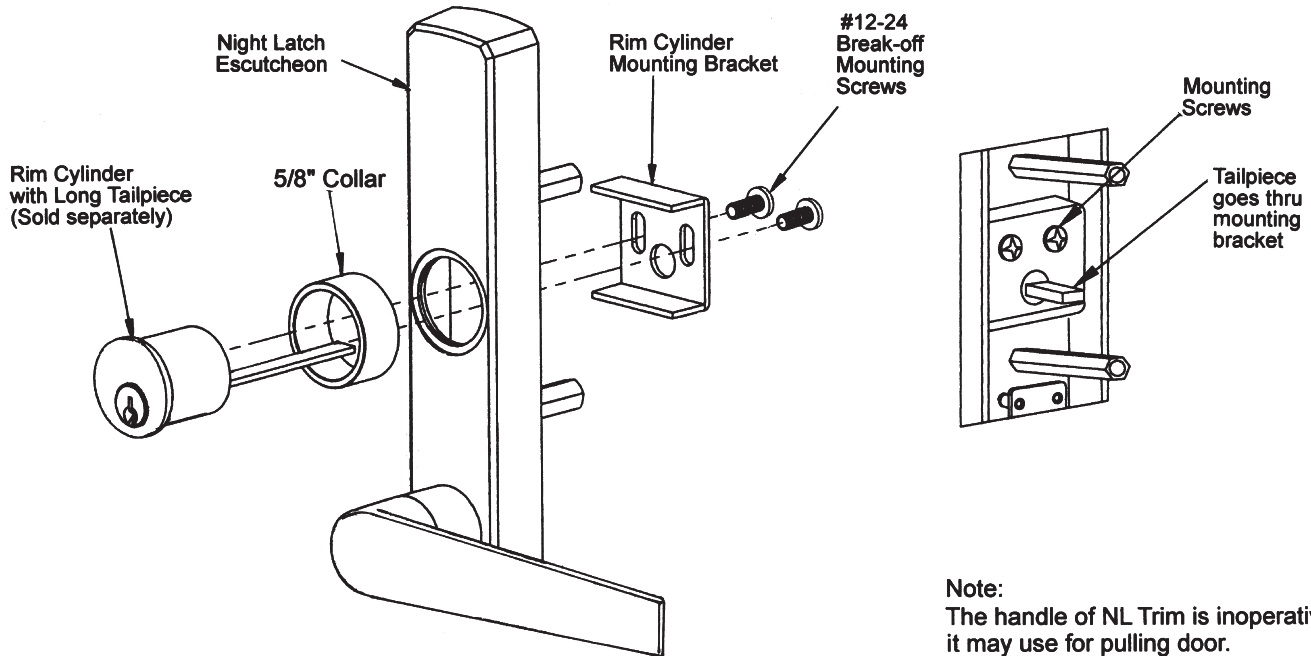


This trim is cylinder escutcheon shown, both blank and dummy trims do not have the cylinder hole on above escutcheon, so skip this step.

Note:
The handle will be in freewheel state when CE Trim is locked.

C. INSTALL RIM CYLINDER (For NL Trim model only)

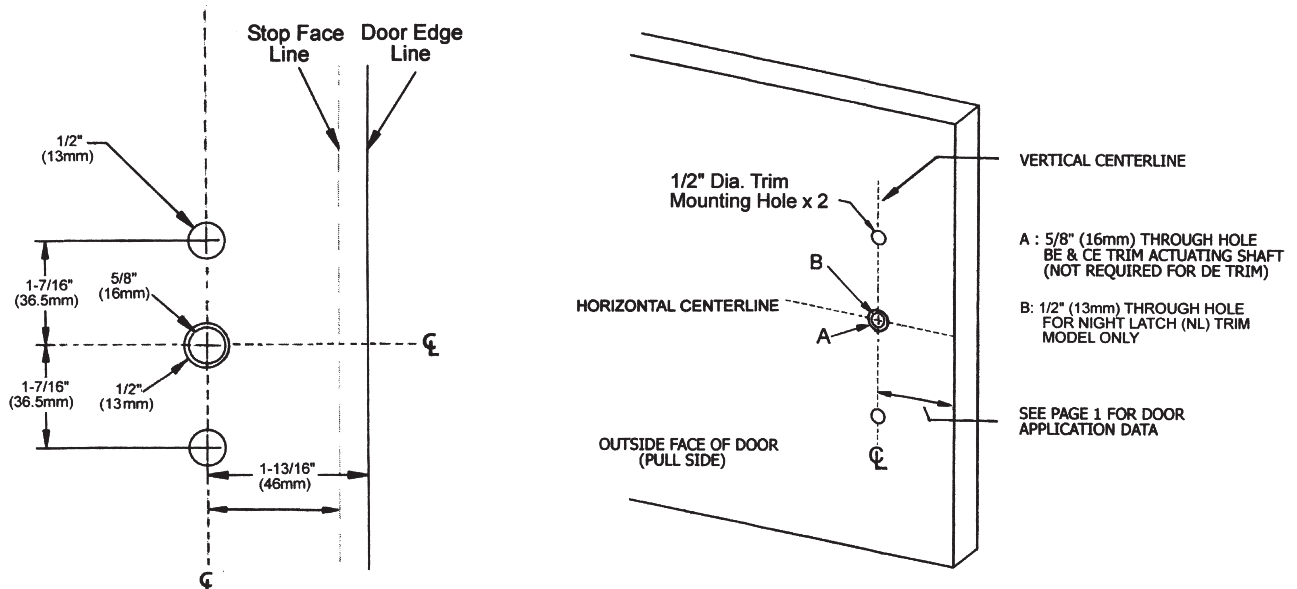
1. Check standard length tailpiece on the rim cylinder is long enough or not.
If not, use an extra long tailpiece (2-3/8") to replace it.
2. Install rim cylinder into collar and escutcheon trim.
3. Install cylinder mounting bracket on the back side of the escutcheon trim.
4. Adjust two break-off screws to eliminate excess length then fasten rim cylinder.
5. Insert key and rotate it. Observe the back of the trim and verify that the tailpiece rotates freely.



Note:
The handle of NL Trim is inoperative, it may use for pulling door.

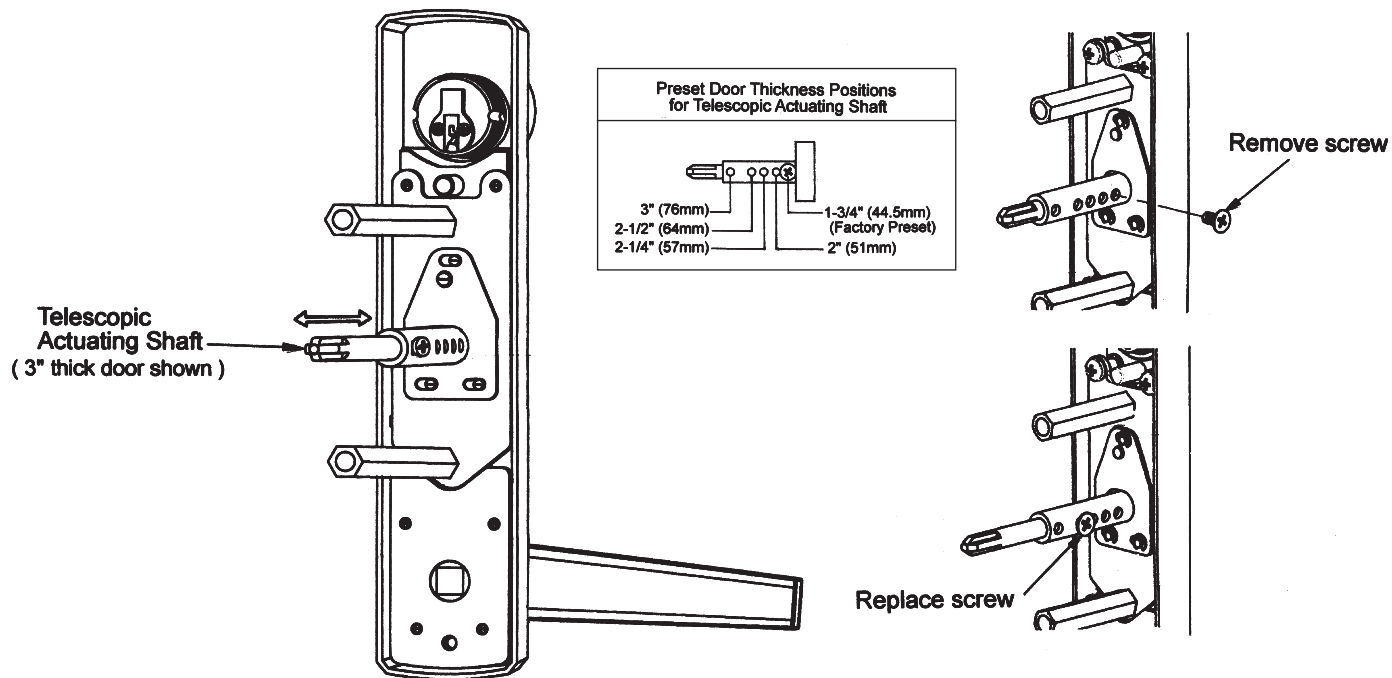
D. MARK AND DRILL MOUNTING HOLES ON DOOR

1. Mark horizontal centerline by matching it to exit device centerline, which can be found on the inside face of door.
2. Mark vertical centerline by matching it to exit device centerline, which can be found on the inside face of door. Refer to DOOR APPLICATIONS section on page 1 to determine the location of the vertical centerline.
Be careful to check the backset that is to door edge, mullion or stop face from the vertical centerline.
3. Mark and drill two 1/2" (13mm) Dia. holes for trim mounting posts as shown the figures below or use the trim template on the back pages.
4. Mark and drill a 5/8" (16mm) Dia. hole for trim actuating shaft, which mates with device cam, see the figures below or use the trim template on the first one of two back pages.
Night Latch Trim and Dummy Trim skip this step.
5. Mark and drill a 1/2" (13mm) Dia. hole for Night Latch Trim model use, see the figures below or use the Night Latch Trim Template on the last page.



E. ADJUST TELESCOPIC ACTUATING SHAFT (For BE and CE Trim only)

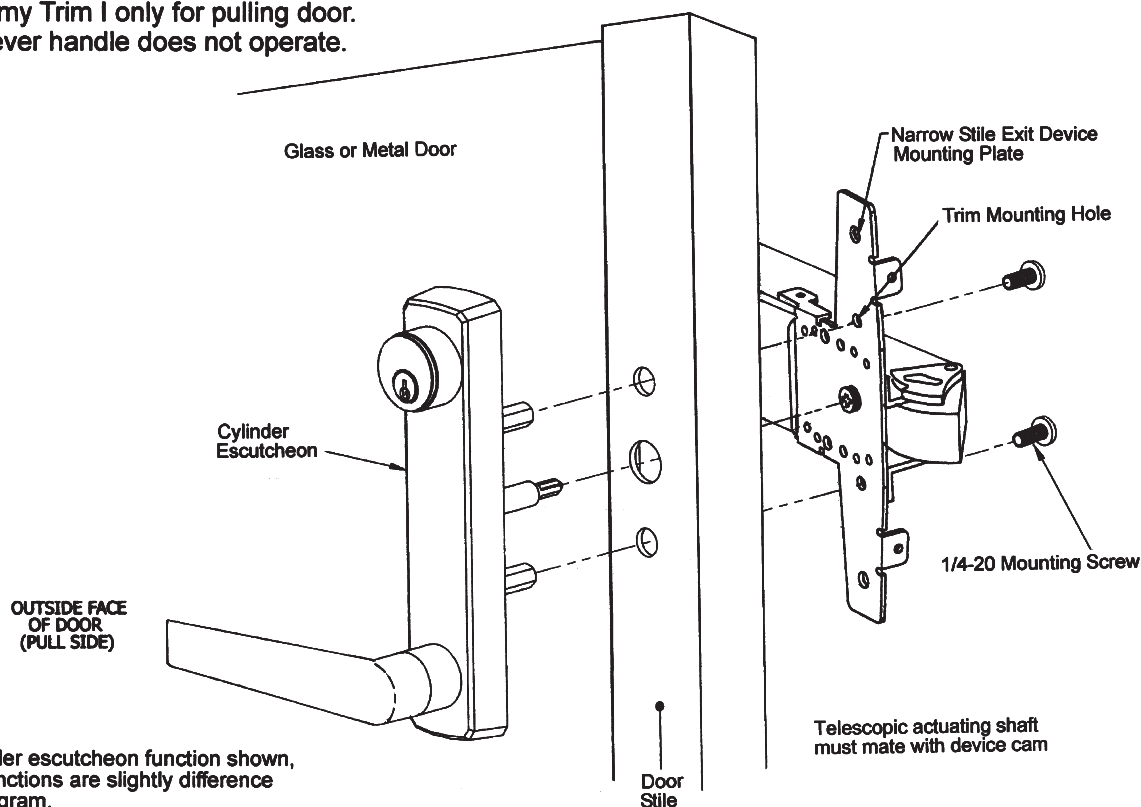
1. The trim spindle is a telescopic actuating shaft which is preset at factory for a 1-3/4" thick door use.
2. For thicker door applications, use the chart below to choose the appropriate setting for your door application by the following steps:
 - a. Remove the screw on the side of the actuating shaft.
 - b. Slide the center shaft out until it lines up with the setting you choose from the chart.
 - c. Replace the screw and tighten up.
 - d. Check for proper engagement with exit device in the next step.



F. INSTALL ESCUTCHEON TRIM

1. Insert trim mounting posts and telescopic actuating shaft through door.
2. Mate telescopic actuating shaft with cam on back of the exit device.
3. Fasten the trim from the two holes on device mounting plate with provided screws.
4. Test installation by operating lever handle or key to verify trim function.

NOTE: Dummy Trim I only for pulling door. the lever handle does not operate.

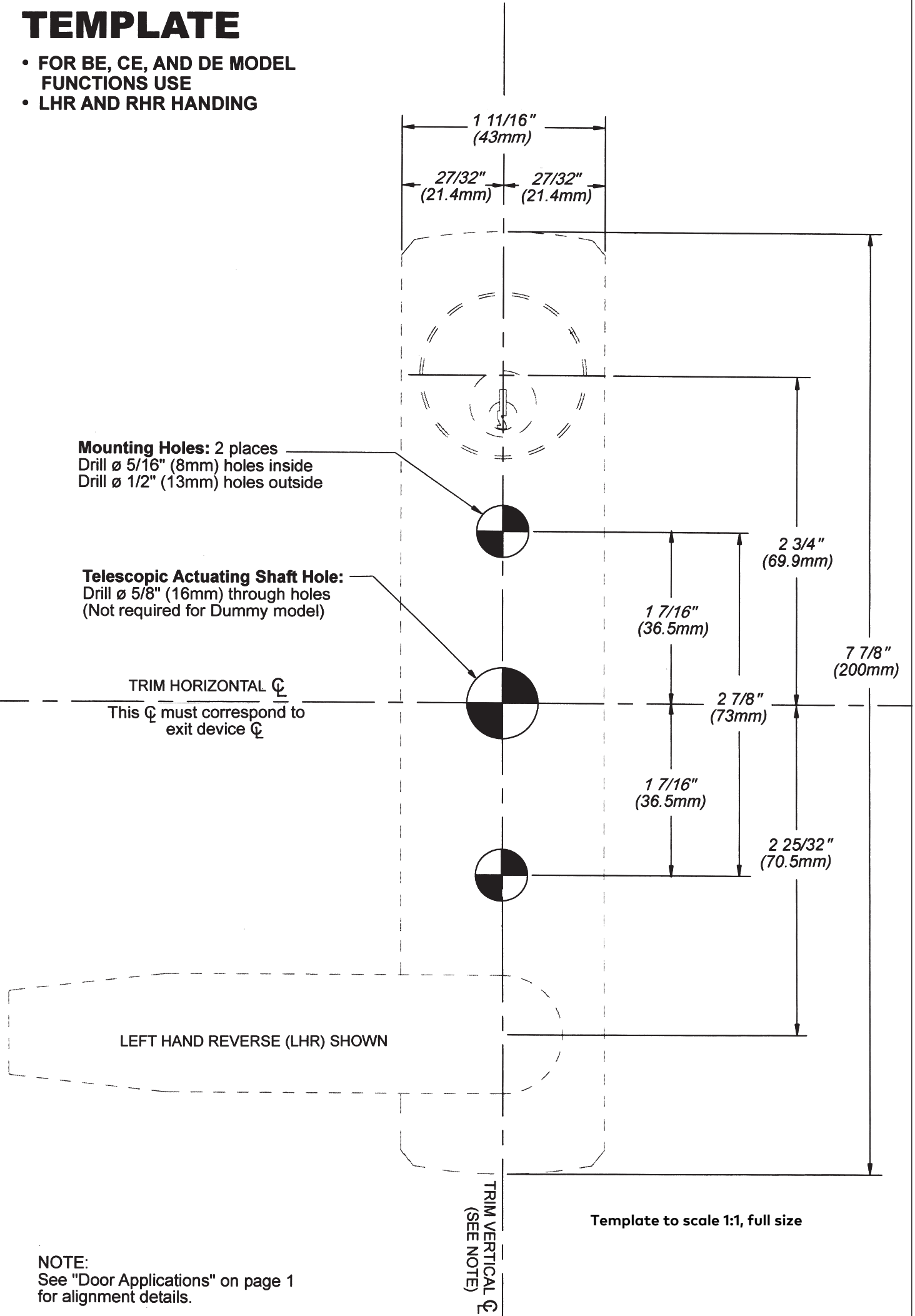


This is cylinder escutcheon function shown, other trim functions are slightly difference from this diagram.

This page is intentionally left blank

TEMPLATE

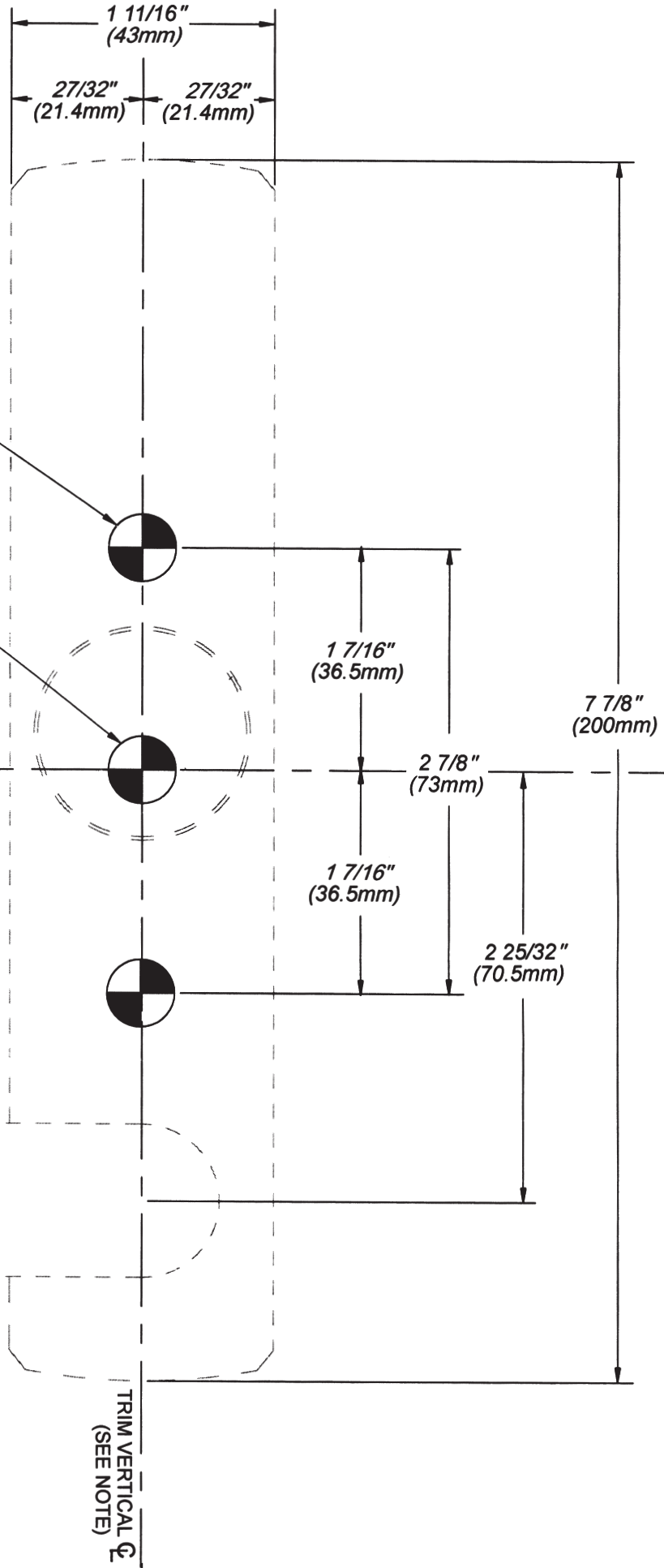
- FOR BE, CE, AND DE MODEL FUNCTIONS USE
- LHR AND RHR HANDING



NOTE:
See "Door Applications" on page 1 for alignment details.

TEMPLATE

- FOR NIGHT LATCH MODEL
FUNCTION USE ONLY
- LHR AND RHR HANDING



Mounting Holes: 2 places
 Drill $\varnothing 5/16''$ (8mm) holes inside
 Drill $\varnothing 1/2''$ (13mm) holes outside

Tailpiece Actuating Shaft Hole:
 Drill $\varnothing 1/2''$ (13mm) through holes
 (Not required for Dummy model)

TRIM HORIZONTAL \varnothing

This \varnothing must correspond to
 exit device \varnothing

LEFT HAND REVERSE (LHR) SHOWN

TRIM VERTICAL \varnothing
 (SEE NOTE)

NOTE:
 See "Door Applications" on page 1
 for alignment details.

