

EPT-12C – Installation Instructions



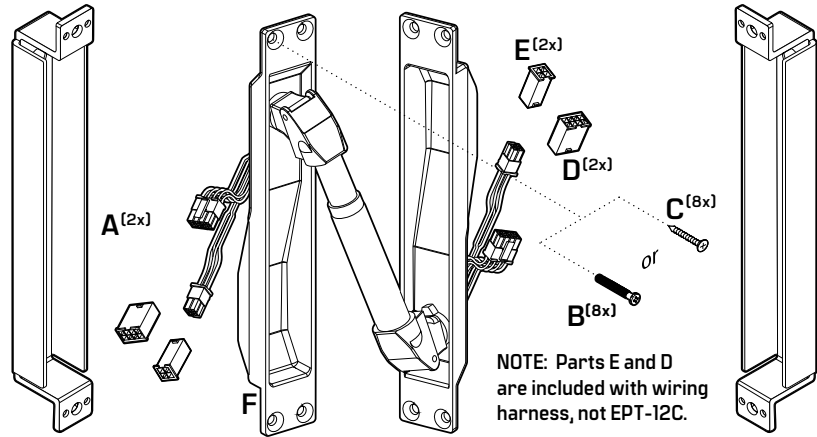
dormakaba Group

TOOLS NEEDED:



OVERVIEW:

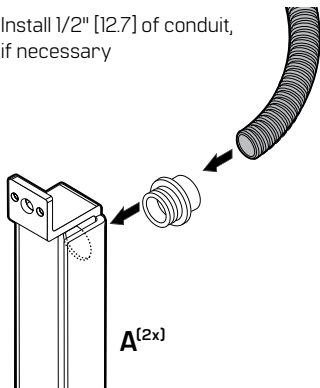
- A** Frame housing
- B** Metal screws
- C** Wood screws
- D** 8-Pin connector
- E** 4-Pin connector
- F** EPT



NOTE: Parts E and D are included with wiring harness, not EPT-12C.

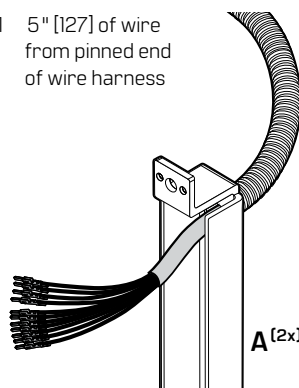
1 INSTALLING CONDUIT (IF NECESSARY)

1.1 Install 1/2" [12.7] of conduit, if necessary



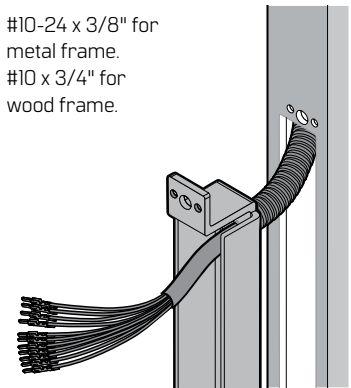
2 WIRE HARNESS

2.1 5" [127] of wire from pinned end of wire harness

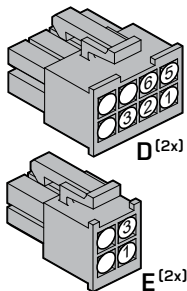


3 DIMENSIONS FOR WOOD AND METAL FRAME

3.1 #10-24 x 3/8" for metal frame.
#10 x 3/4" for wood frame.

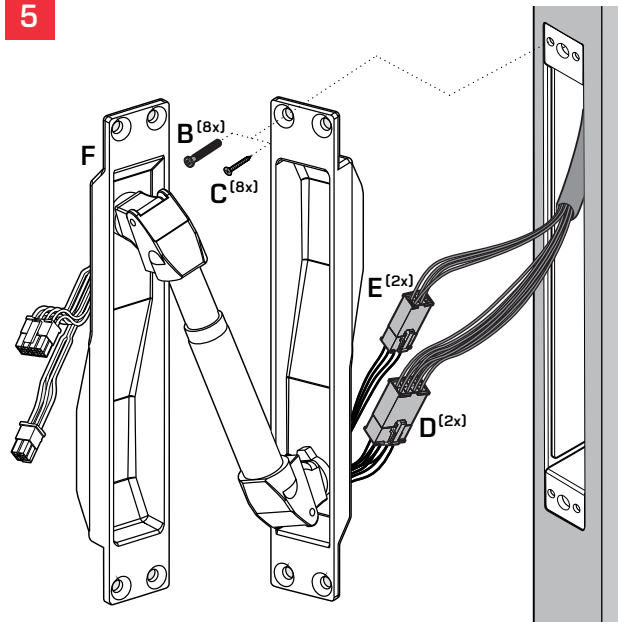


4 WIRING DETAILS



Pin No.	8 Pin connector		4 Pin Connector	
	Wire Color	Wire gauge	Wire color	Wire gauge
Pin 1	Blue	24AWG	Red	18AWG
Pin 2	Purple	24AWG	Pink	24AWG
Pin 3	White	24AWG	Gray	24AWG
Pin 4	Tan	24AWG	Black	18AWG
Pin 5	Yellow	24AWG		
Pin 6	Orange	24AWG		
Pin 7	Brown	24AWG		
Pin 8	Green	24AWG		

5



Document translations available.
Scan for product details and downloads.
Call 1-800-392-5209 or visit
<https://dhwsupport.dormakaba.com/hc/en-us>
for assistance and warranty information.

WARNING! This Manufacturer advises that no lock can provide complete security by itself. This lock may be defeated by forcible or technical means, or evaded by entry elsewhere on the property. No lock can substitute for caution, awareness of your environment, and common sense. Builder's hardware is available in multiple performance grades to suit the application. In order to enhance security and reduce risk, you should consult a qualified locksmith or other security professional.