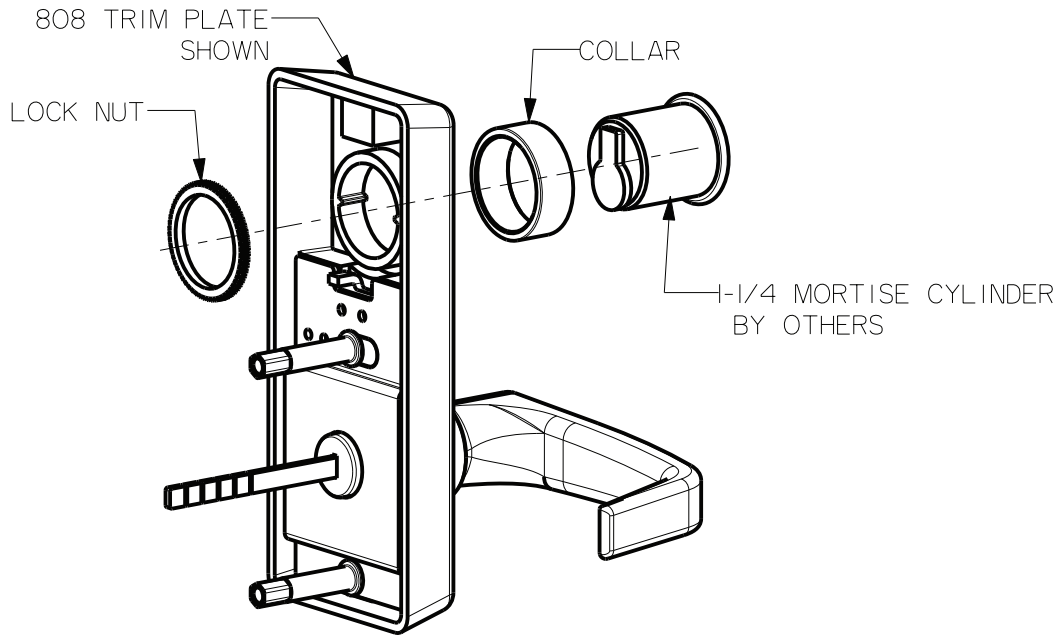


# 808, 814 Trim Instructions (See Template for Door Preparation)

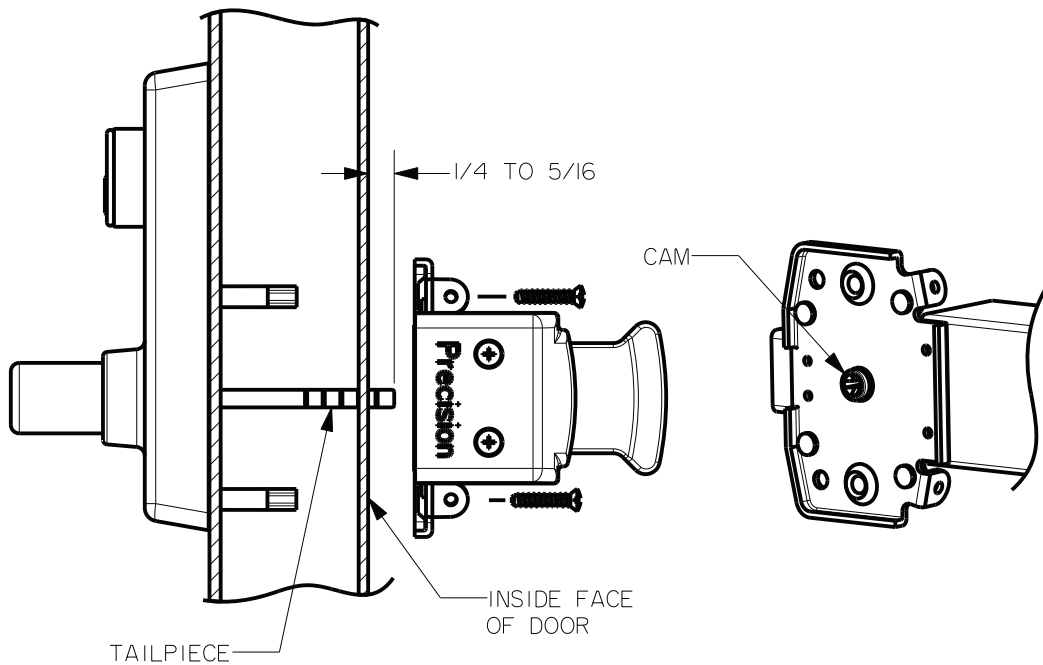
For online instructions, assistance or warranty information:  
Call 1-800-392-5209 or visit <https://dhwsupport.dormakaba.com/hc/en-us>

## CYLINDER INSTALLATION



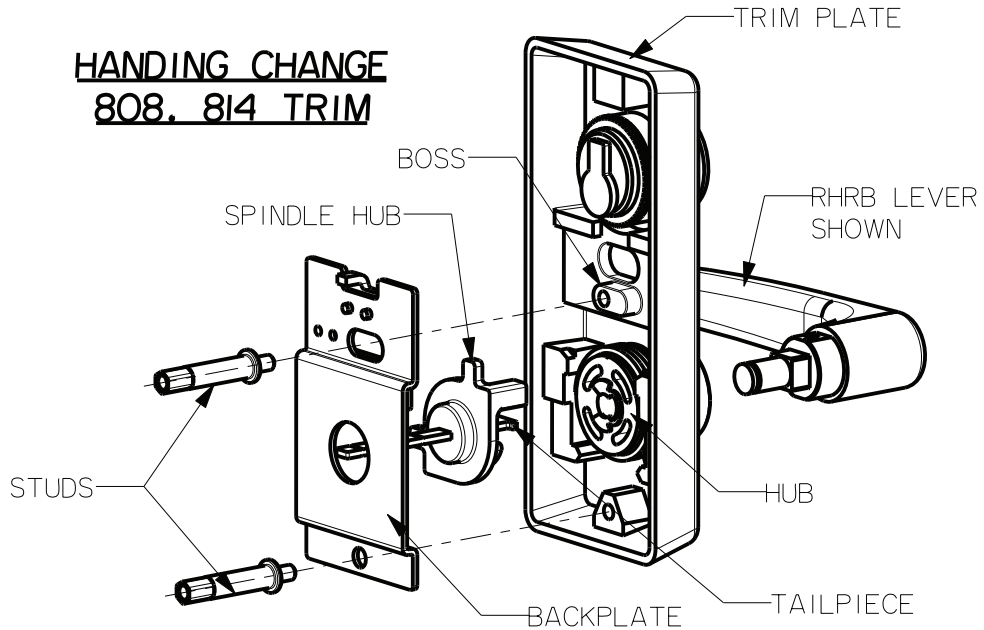
1. INSERT CYLINDER THROUGH COLLAR AND TRIM PLATE
2. SECURE CYLINDER BY TIGHTENING LOCKING NUT

## TRIM INSTALLATION



- INSERT TAILPIECE INTO THE CAM  
SECURE THE CHASSIS TO THE TRIM WITH SCREWS

**HANDING CHANGE  
808. 814 TRIM**



**DISASSEMBLE**

- 1) REMOVE BACKPLATE, SPINDLE HUB AND TAILPIECE BY REMOVING STUDS.

**REASSEMBLE**

- 1) ROTATE LEVER 180°
- 2) LOCATE SPINDLE HUB INTO THE TRIM PLATE BY PLACING POST BEHIND THE SPRING LEG AS SHOWN BELOW.
- 3) INSTALL BACKPLATE ONTO THE SPINDLE HUB AND BOSS OF TRIM PLATE AND SECURE IT WITH THE STUDS.

