

# Reliant 5000 Exit Device & Trim

ILLUSTRATED PARTS  
CATALOG

# Credits / Copyright

Copyright ©2021 dormakaba USA Inc. All rights reserved.

Information in this document is subject to change without notice and does not represent a commitment on the part of dormakaba USA Inc. The software described in this document are furnished under a license agreement or nondisclosure agreement.

This publication is intended to be an accurate description and set of instructions pertaining to its subject matter. However, as with any publication of this complexity, errors or omissions are possible. Please call dormakaba USA Inc. at 1-800-392-5209 if you see any errors or have any questions. No part of this manual and/or databases may be reproduced or transmitted in any form or by any means, electronic or mechanical, including photocopying, recording, or information storage and retrieval systems, for any purpose, without the express written permission of dormakaba USA Inc.

This document is distributed as is, without warranty of any kind, either express or implied, respecting the contents of this book, including but not limited to implied warranties for the publication's quality, performance, merchantability, or fitness for any particular purpose. Neither dormakaba USA Inc., nor its dealers or distributors shall be liable to the user or any other person or entity with respect to any liability, loss, or damage caused or alleged to be caused directly or indirectly by this publication.

Written and designed by:  
dormakaba USA Inc.  
6161 East 75th Street  
Indianapolis, IN 46250

T83704\_Rev B October 2021

---

---

# CONTENTS

## **CONTENTS 1-III**

## **FIGURES 1-V**

## **GETTING STARTED 1-1**

Introduction 1-1

Overview 1-2

    Before looking up the part 1-2

    Models 1-2

    ANSI Functions 1-2

    Style 1-4

    Finishes 1-5

    Other options 1-5

    Web Addresses 1-5

## **EXIT DEVICE OVERVIEW 2-1**

5100 Reliant Rim Series 2-2

    5100 Series parts guide 2-2

5200 Reliant Surface Vertical Rod Series 2-3

    5200 Series parts guide 2-3

**TRIM 3-1**

- Trim Components 3-1
- Basic Styles 3-2
- 501, 602, 603 Trim 3-2
- 700 Trim with Pulls 3-3
- 800 Trim 3-4
- Lever Assembly 3-5

**FINISHED PARTS 4-1**

- Finished Parts 4-1
- Common Finished Parts 4-2
- Endcaps 4-3
- Hinge Fillers 4-4
- Alarm Hinge Fillers 4-5

**TOUCHBAR COMPONENTS 5-1**

- Spring Touchbar Components 5-2
- Sub-Bracket Assembly 5-3

**ACTIVE CASE PARTS 6-1**

- 5100 Active Case Parts 6-2
- 5200 Active Case Parts 6-3

**STRIKES AND VERTICAL ROD COMPONENTS 7-1**

- Reliant Strikes 7-2
- 5200 SVR Bottom Latch 7-3
- 5200 SVR Top Latch 7-4

**OTHER COMPONENTS 8-1**

- Mullions 8-2
- Touchbar Switches 8-2
- Exit Alarm Kits 8-3
- Shims and Brackets 8-3
- Screw Packs 8-3

**GLOSSARY 9-1**

**INDEX I-1**

- Index by part number I-1
- Index by part type I-3
- Index by part description I-4

---

---

# FIGURES

## EXIT DEVICE OVERVIEW

- 5100 Reliant Rim Exit Device 2-2
- 5200 Reliant Surface Vertical Rod (SVR) Exit Device 2-3

## TRIM

- 501, 602 and 603 Trim 3-2
- 700 Series Pulls 3-3
- 800 Series Trim 3-4
- 800 Lever 3-5

## FINISHED PARTS

- Overview of common finished parts 4-2
- Endcap for all devices 4-3
- Basic hinge filler styles 4-4
- Alarm hinge filler parts 4-5

## TOUCHBAR COMPONENTS

- Spring type mechanism 5-2
- Sub-bracket assembly for hex and cylinder dogging units only. 5-3

## ACTIVE CASE PARTS

- 5100 Active Case 6-2
- 5200 Active Case parts 6-3

## **STRIKES AND VERTICAL ROD COMPONENTS**

Strikes 7-2

2200 SVR bottom latch 7-3

2200 SVR top latch 7-4

# 1

---

---

## GETTING STARTED

### INTRODUCTION

The *BEST Reliant 5000 Series Touchbar Style Exit Device* is the Exit Device of choice when an economical and reliable exit device is required. All Reliant 5000 Series Exit Devices are UL listed for panic and fire hardware and are certified to ANSI A156.3 Grade 1. The Reliant Series is available in durable powder coat finishes with a variety of trim styles and functions. The chassis is constructed of stainless steel and covers the standard type 161 door preparation.

## OVERVIEW

### Before looking up the part

Before looking up the part, know the **model** of the exit device, the **function** it performs, which **style** lever, knob, or grip you presently have, and what type of **finish** is on it. All these parameters are important to ordering the proper parts for your device.

Please read any footnotes, as they may contain important information concerning options for your unit or your parts.

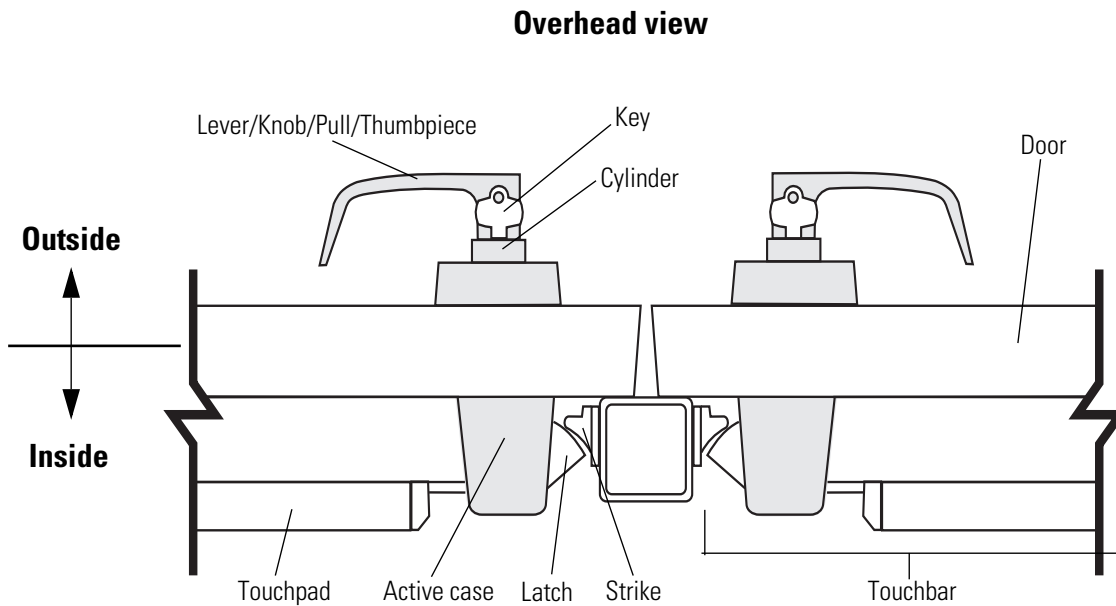
### Models

5100 Rim Devices

5200 Surface Vertical Rod Exit Devices

### ANSI Functions

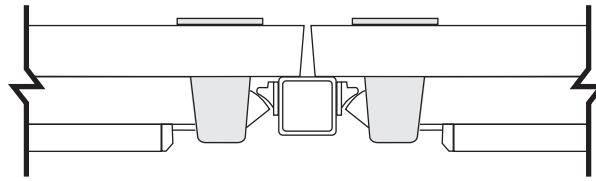
The following illustrations show how the outside lever/knob/thumbpiece, the inside touchbar, and the latchbolt operate. The illustrations show a 5100 series exit device, but the functionality is the same for all models of exit device. Functionality is described in the Reliant Exit Device product catalog.



**Figure 1.1** Understanding function diagrams



**ANSI function 01 -- Exit only**



**Latchbolt operated by:**

- inside touchbar

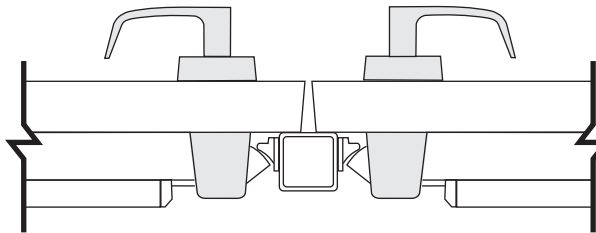
**Outside lever locked/unlocked by:**

- N/A

**Inside touchbar is always active.**

**Figure 1.2** Function 01

**ANSI function 02 -- Dummy trim**



**Latchbolt operated by:**

- inside touchbar

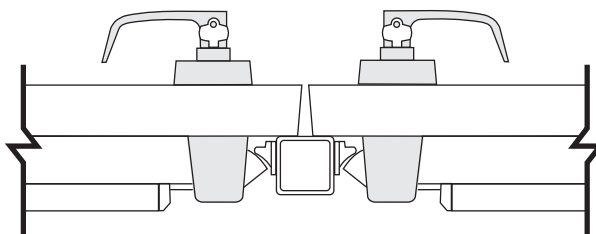
**Outside lever is:**

- always rigid

**Inside touchbar is always active.**

**Figure 1.3** Function 02

**ANSI function 03 -- Key retracts latchbolt**



**Latchbolt operated by:**

- outside key
- inside touchbar

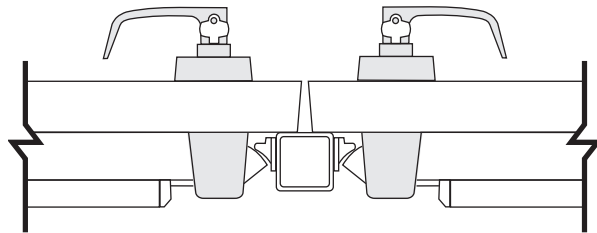
**Outside lever is:**

- always rigid

**Inside touchbar is always active**

**Figure 1.4** Function 03

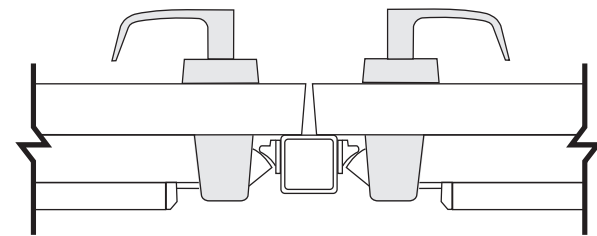
**ANSI function 08 -- Key locks/unlocks lever/knob**



- Latchbolt operated by:**
- outside lever when not locked
  - inside touchbar
- Outside lever locked/unlocked by:**
- outside key
- Inside touchbar is always active**

**Figure 1.5** Function 08

**ANSI function 14 -- No lock**



- Latchbolt operated by:**
- outside lever
  - inside touchbar
- Outside lever is:**
- always active
- Inside touchbar is always active**

**Figure 1.6** Function 14

<b>ANSI Function</b>	<b>Description</b>
01	Exit only (cover plate) - Uses a push plate trim with no lever, grip or knob
02	Dummy trim - Uses a lever, grip or knob that does not engage any mechanism
03	Key retracts latchbolt - Uses a cylinder to retract the latch
08	Key locks/unlocks lever/knob - Uses a cylinder to lock/unlock the lever or knob
14	No cylinder - lever/knob always active - Lever or knob always retracts the latch

- Style**
- Know which of the many styles of trim and levers your unit requires.
  - Know which options your unit has.
  - Know if your unit has a fire (FL) rating, it requires special ordering of the parts.

## Finishes

ANSI/BHMA	Description
600	Primed for Paint (Mullions only)
689	Aluminum Paint
695	Dark Bronze Paint

## Other options

Abbreviation	Description
ALK	Exit Alarm: battery operated
ALW	Exit Alarm: remote power
CD	Cylinder Dogging
FL	Fire Exit Hardware
LD	Less Dogging
SNB	Sex Nut and Bolt
TDS	Touchbar Monitoring Double Switch
TS	Touchbar Monitoring Switch

If you are unsure of which part you need, please contact  
1-800-392-5209

Web Address: <https://dhwsupport.dormakaba.com/hc/en-us>



# 2

---

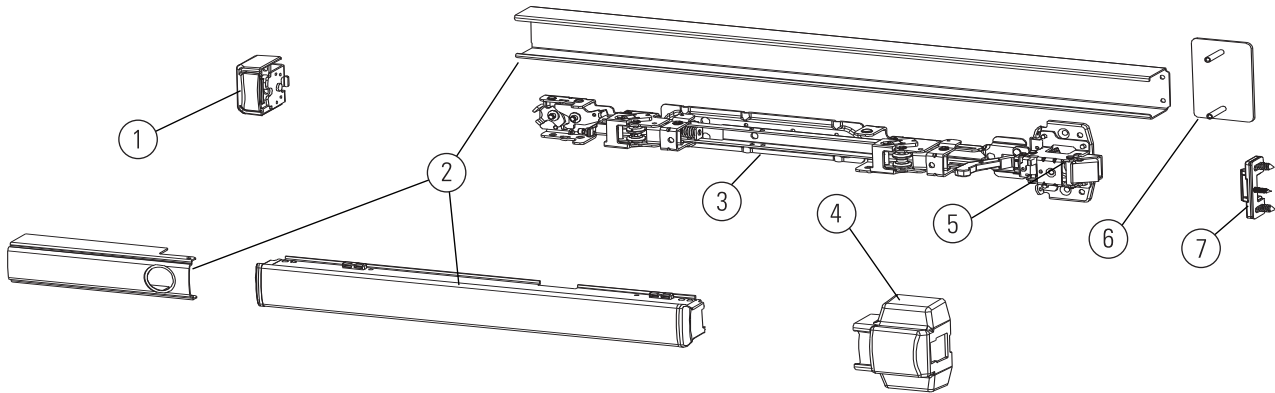
---

## EXIT DEVICE OVERVIEW

This chapter provides top level diagrams for various Reliant 5000 models of Exit Devices. It gives direction as to where in this manual more detailed information on the separate components of that model may be found.

The diagrams show a basic model. Details of usage and options are listed in the component chapters. If you do not find the optional or specialized part, see Chapter 8 "Other Components."

## 5100 RELIANT RIM SERIES



**Figure 2.1** 5100 Reliant Rim Exit Device

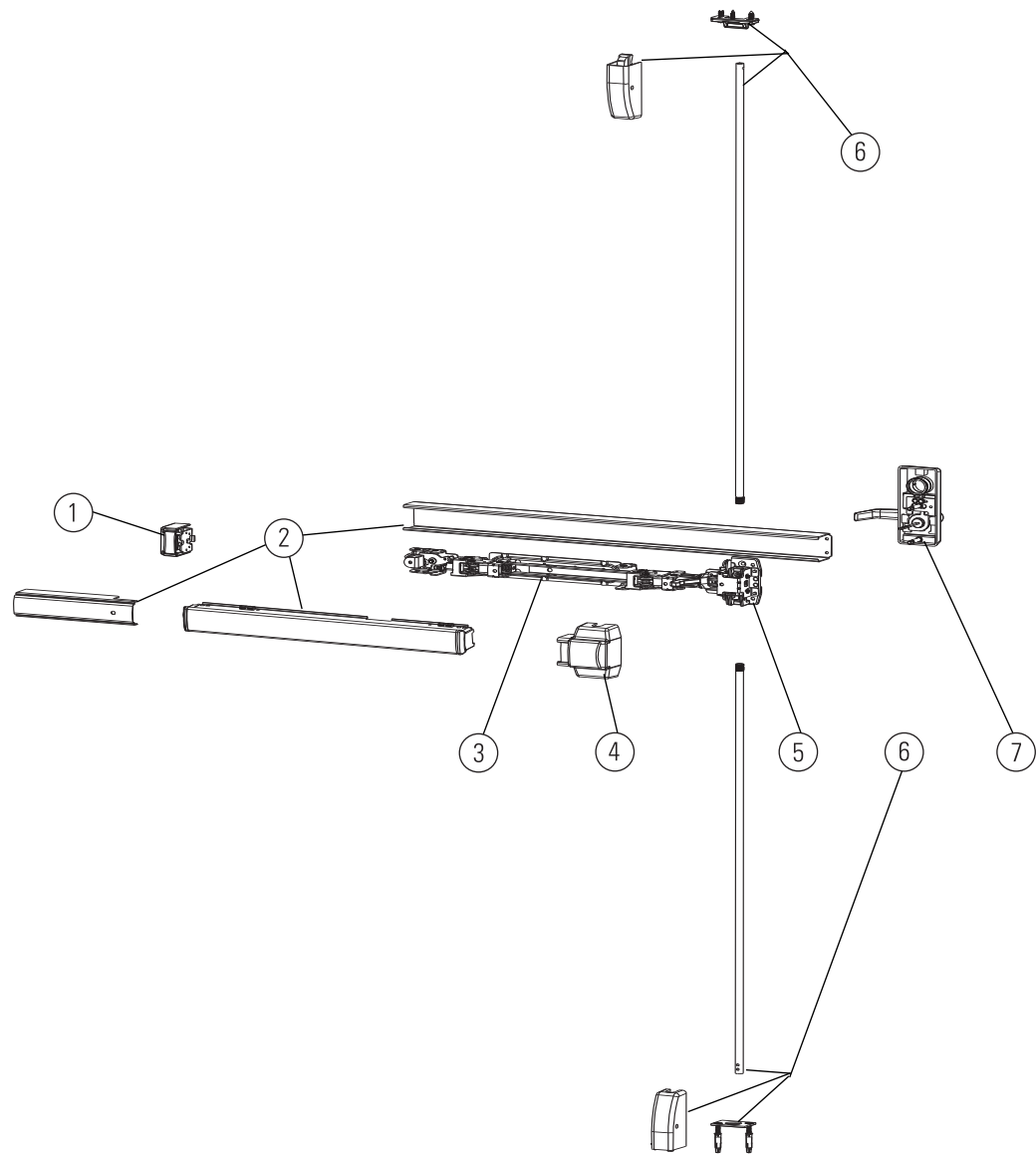
**5100 Series parts guide**

Refer to [Figure 2.1](#) and the table below to find the basic chapter you need.

Item	Description	Chapter
1	End Cap	See Chapter 4
2	Finished Parts	See Chapter 4
3	Touchbar Mechanisms	See Chapter 5
4	Active Case Cover	See Chapter 4
5	Active Case Assembly	See Chapter 6
6	Trim	See Chapter 3
7	Strike/Latch/Rods	See Chapter 7

Complete touchbar mechanisms and active cases are sold as one unit. Internal parts are shown separately.

## 5200 RELIANT SURFACE VERTICAL ROD SERIES



**Figure 2.2** 5200 Reliant Surface Vertical Rod (SVR) Exit Device

### 5200 Series parts guide

Refer to [Figure 2.2](#) and the table below to find the chapter you need.

Item	Description	Chapter
1	End Cap	See Chapter 4
2	Finished Parts	See Chapter 4
3	Touchbar Mechanisms	See Chapter 5
4	Active Case Cover	See Chapter 4
5	Active Case Assembly	See Chapter 6
6	Strike/Latch/Rods	See Chapter 7
7	Trim	See Chapter 3





# 3

---

---

## TRIM

### Trim Components

To order replacement trim components, please note which function your exit device performs and what type of finish is on it. For a detailed list of functionality, [see ANSI Functions](#) on page 1-2.

All trim is field reversible. See installation instructions for further details.

<b>ANSI Function</b>	<b>Description</b>
01	Exit only (cover plate)
02	Dummy trim
03	Key retracts latchbolt
08	Key locks/unlocks lever/knob
14	No cylinder - lever/knob always active

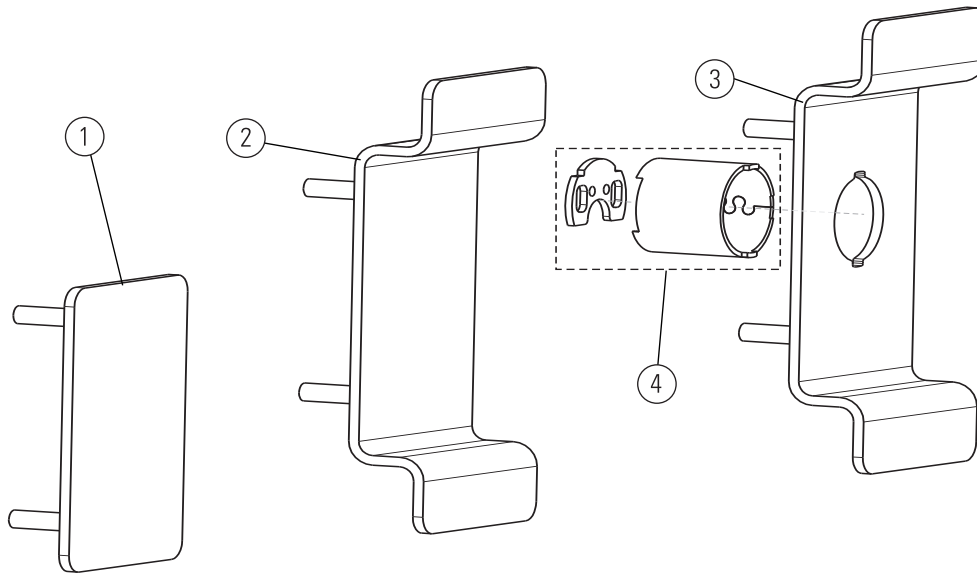
<b>ANSI/BHMA</b>	<b>Description</b>
689	Aluminum Paint
695	Dark Bronze Paint

## BASIC STYLES

The Reliant 5000 trim comes in a variety of styles. When ordering replacement parts, insure you have the correct style, function and finish.

Trim Series	Lever	Grip	Plate
500			■
600			■
700		■	
800	■		

### 501, 602, 603 TRIM

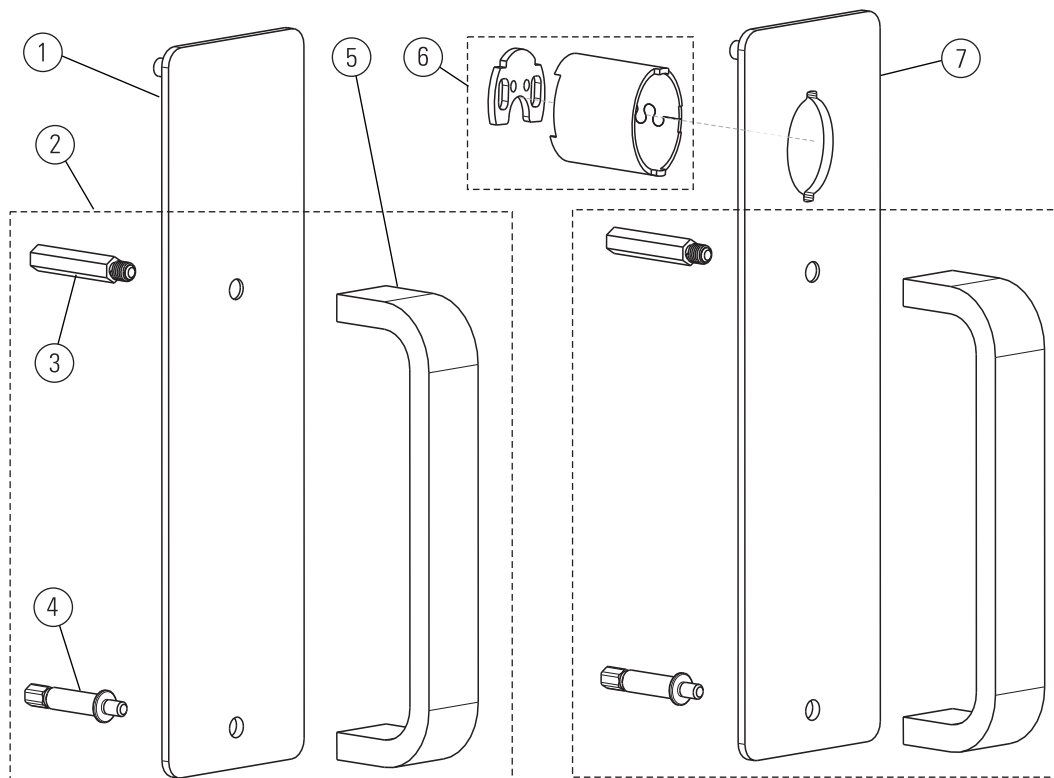


**Figure 3.1** 501, 602 and 603 Trim

Item	Part Number	Description	Qty
1	00199-04 *	501 Trim Assembly	1
2	00200-04 *	602 Trim Plate Assembly	1
3	00201-04 *	603 Trim Plate Assembly	1
4	02122-09	Cylinder Sleeve Kit	1

\* Specify finish when ordering these parts.

## 700 TRIM WITH PULLS

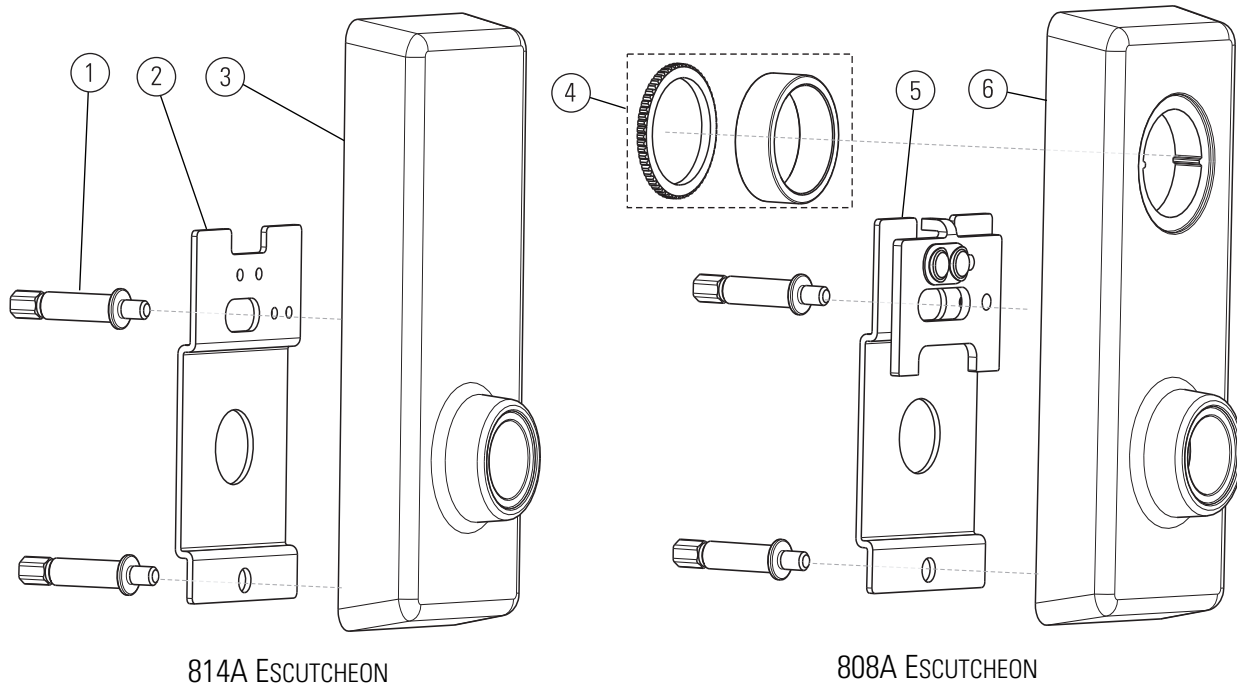


**Figure 3.2** 700 Series Pulls

Item	Part Number	Description	Qty
1	00206-04 *	702 Trim Plate Sub Assembly	1
2	03152-04 *	700 Trim Grip Kit (includes items 3, 4, and 5)	1
3	00233-54	Trim Stud	1
4	00222-50	Stud, Reliant Trim	1
5	00323-54 *	A Grip	1
6	02122-09	Cylinder Sleeve Kit	1
7	00207-04 *	703 Trim Plate Sub Assembly	1

\* Specify finish when ordering these parts.

# 800 TRIM

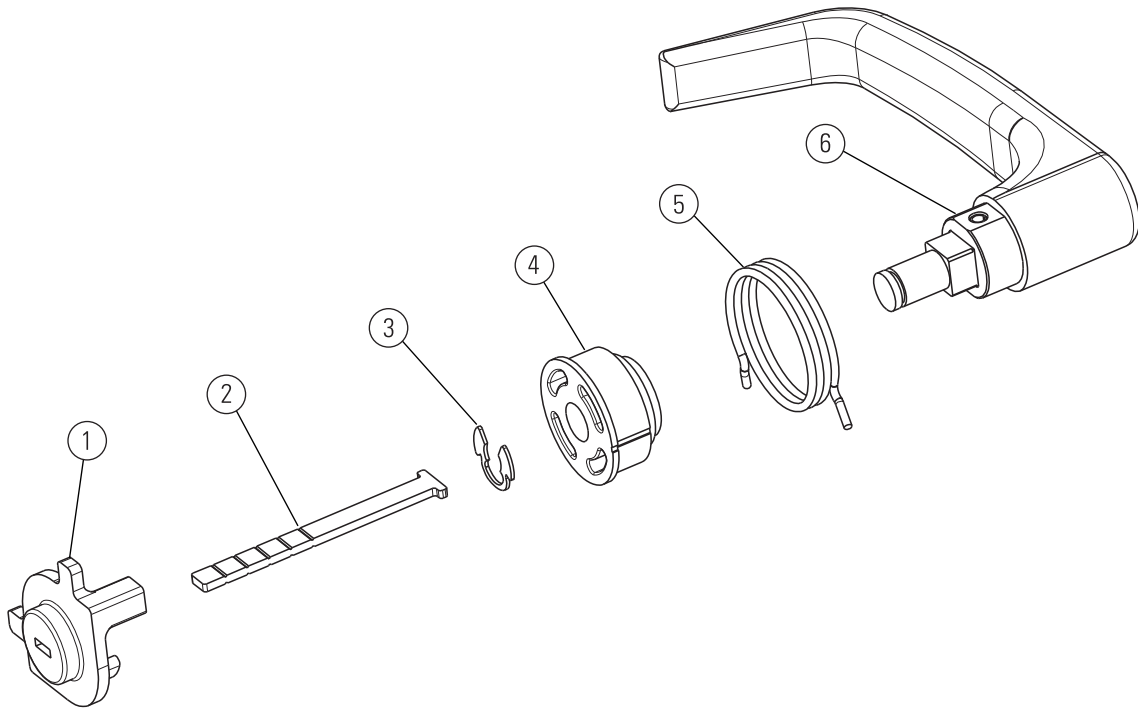


**Figure 3.3** 800 Series Trim

Item	Part Number	Description	Qty
1	00222-50	Stud, Reliant Trim	2
2	00191-50	Backplate, Reliant Rim	1
3	00203-50 *	Escutcheon, 14 Trim, Reliant	1
4	02123-09	Cylinder Attachment, Reliant Lever Trim	1
5	00615-04	Backplate Assembly, 800 Trim	1
6	00202-50 *	Escutcheon, 08 Trim, Reliant	1

\* Specify finish when ordering these parts.

## LEVER ASSEMBLY



**Figure 3.4** 800 Lever

Item	Part Number	Description	Qty
	02760-04 *	Complete A Lever Kit RHRB Reliant Trim (includes all parts shown)	
	02761-04 *	Complete A Lever Kit LHRB Reliant Trim (includes all parts shown)	
1	00214-50	Spindle Hub, Reliant Trim	1
2	00192-50	Tail Piece, Reliant Trim	1
3	00617-91	Retaining Ring, .375 dia Shaft	1
4	00213-50	Hub, Reliant Trim	1
5	00223-89	Spring, Torsion, Reliant Trim	1
6	00616-04 *	A Lever Assembly Reliant	1

\* Specify finish when ordering these parts.

All levers are field reversible. See installation instructions for further details.



# 4

---

---

## FINISHED PARTS

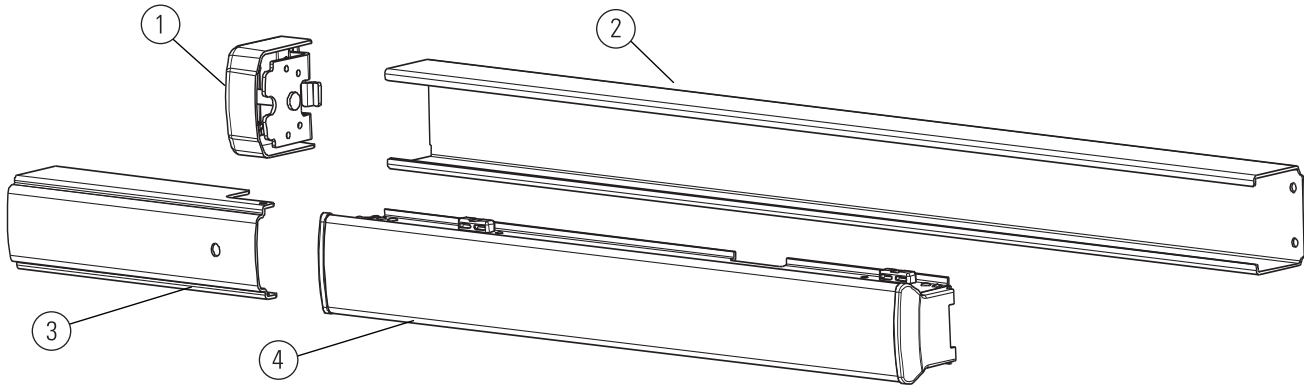
**Finished Parts** To order replacement trim components, please note which function your exit device performs, and what type of finish is on it. For a detailed list of functionality, [see \*ANSI Functions\*](#) on page 1-2.

<b>ANSI Function</b>	<b>Description</b>
01	Exit only (cover plate)
02	Dummy trim
03	Key retracts latchbolt
08	Key locks/unlocks lever/knob
14	No cylinder - lever/knob always active

<b>ANSI/BHMA</b>	<b>Description</b>
689	Aluminum Paint
695	Dark Bronze Paint

If you need replacements for units rated for fire (FL), call 1-800-392-5209 or visit <https://dhwsupport.dormakaba.com/hc/en-us>

## COMMON FINISHED PARTS



**Figure 4.1** Overview of common finished parts

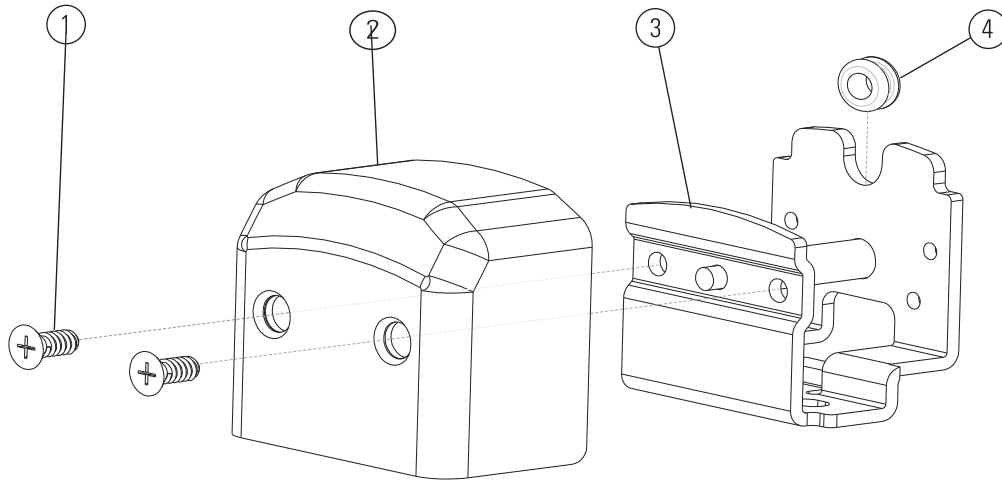
Item	Part Number	Description	Qty	3 ft	4 ft
1	See page 4-3.	Endcap	1	■	■
2	00120-52	Device Channel	1	■	
	00122-52		1		■
3	See page 4-4.	Hinge Filler	1	■	■
4	00160-02	Touchpad Sub-assembly	1	■	
	00162-02		1		■

If you need replacements for units rated for fire (FL), call 1-800-392-5209

Specify finish when ordering these parts.



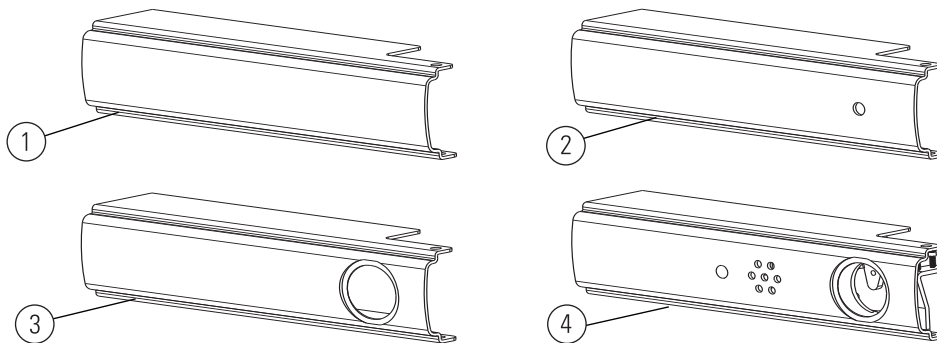
## ENDCAPS



**Figure 4.2** Endcap for all devices

Item	Part Number	Description	Qty	Used on	
				Standard	Electric
	00778-02	Endcap Device (includes cover, bracket and hardware)	1	■	
	03306-02		1		■
1	02104-09	Screw Pack, Endcap Screws (2 screws)	1	■	■
2	00133-52	Endcap Cover	1	■	■
3	00305-02	Endcap Mounting Bracket	1	■	■
4	01723-56	Grommet (Electric <i>only</i> )	1		■

# HINGE FILLERS

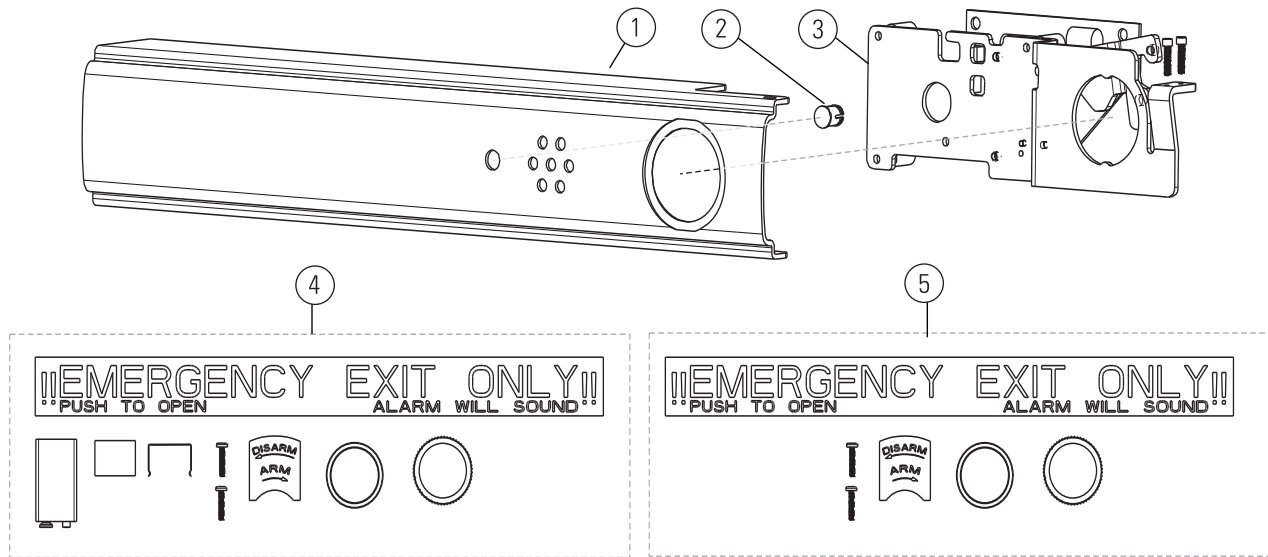


**Figure 4.3** Basic hinge filler styles

Item	Part Number	Description	Qty	3 ft	4 ft
1	00236-52 *	Plain Hinge Filler	1	■	
	00237-52 *		1		■
2	00240-52 *	Hex Hinge Filler	1	■	
	00241-52 *		1		■
3	00489-02 *	CD Hinge Filler (includes hardware)	1	■	
	00490-02 *		1		■
4	00491-06 *	Alarm- ALK Filler (includes hardware and chassis)	1	■	
	00492-06 *		1		■
	00493-06 *	Alarm - ALW Filler (includes hardware and chassis)	1	■	
	00494-06 *		1		■
Not shown	00220-93	Dogging Key (optional)	1	■	■
	02105-09	Cylinder Attachment Kit (includes collar, cylinder locating washer, and lock nut)		■	■

\* Specify finish when ordering these parts.

# ALARM HINGE FILLERS



**Figure 4.4** Alarm hinge filler parts

Item	Part Number	Description	Qty	ALK	ALW
1	00248-52 *	Hinge Filler for 00491-06	1	■	
	00249-52 *	Hinge Filler for 00492-06	1	■	
	00248-52 *	Hinge Filler for 00493-06	1		■
	00249-52 *	Hinge Filler for 00494-06	1		■
2	01460-56	Lens, LED	1	■	■
	00699-06 *	Alarm Chassis Assembly	1	■	
3	00899-06 *	Alarm Chassis Assembly	1		■
	02310-09 *	ALK Hardware Pack	1	■	
5	02309-09 *	ALW Hardware Pack	1		■

\* Specify finish when ordering these parts.



Item	Part Number	Description	Qty
1	00872-92	“Emergency Exit Only” Label	1
2	00672-92	“Arm/Disarm” Label	1



# 5

---

---

## TOUCHBAR COMPONENTS

This chapter provides diagrams and part numbers for the components of the touchbar mechanism associated with Reliant 5000 Exit Devices. Please read through all the options to ensure you select the proper part for your unit.

## SPRING TOUCHBAR COMPONENTS

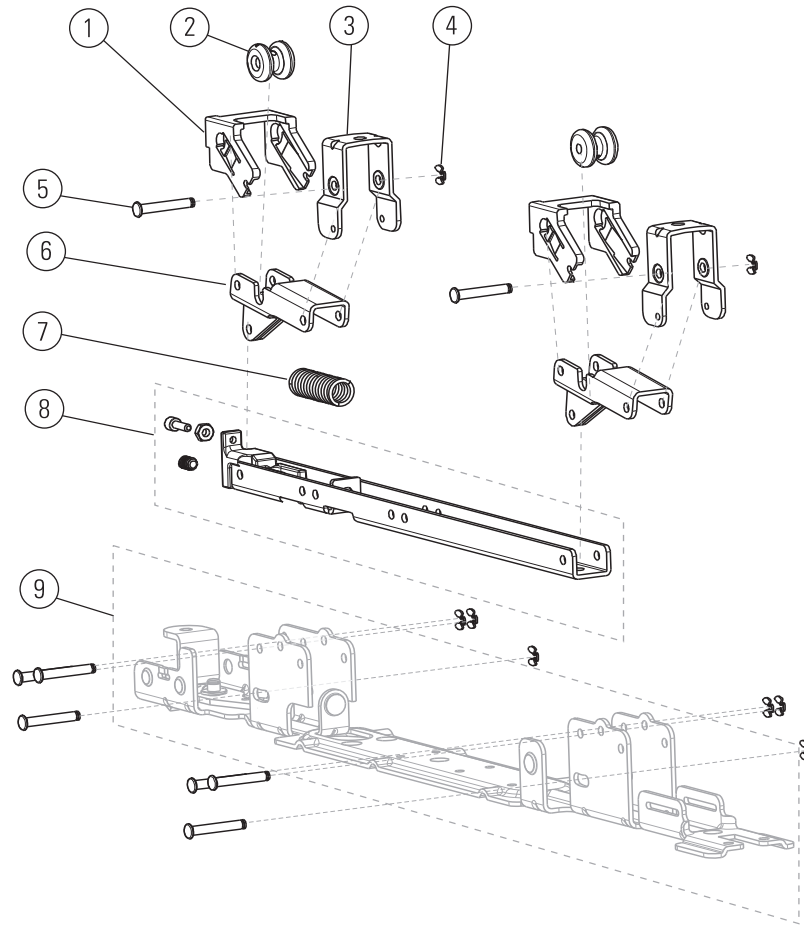
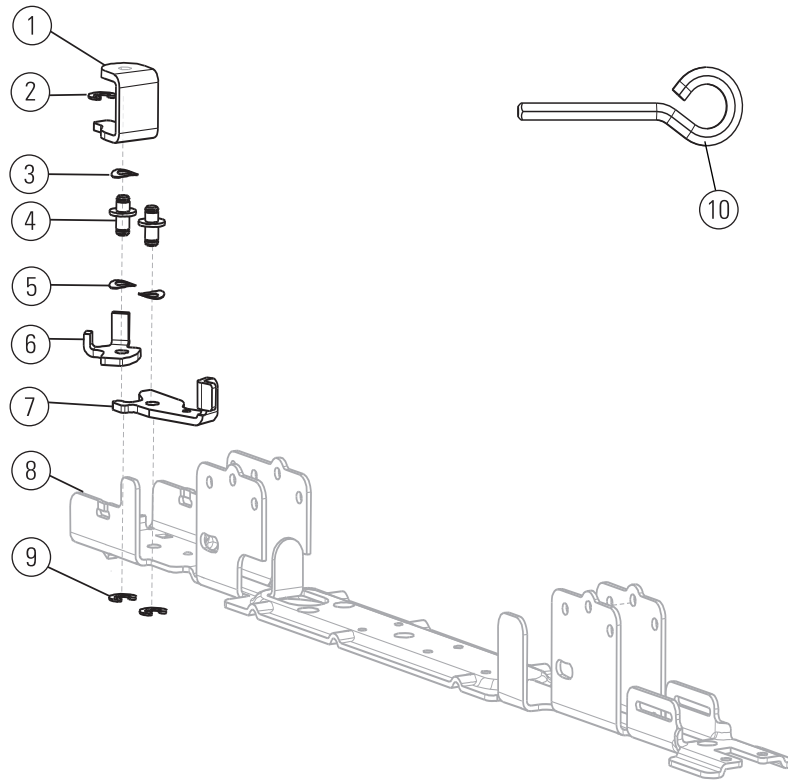


Figure 5.1 Spring type mechanism

Item	Part Number	Description	Qty	Door width		Dogging Type		
				3 ft	4 ft	Hex	CD	FL
1	02130-52	Touchbar Guide	2	■	■	■	■	■
2	00110-52	Bumper	2	■	■	■	■	■
3	00108-52	Bracket, Touchbar	2	■	■	■	■	■
4	00228-91	Retaining Ring	8	■	■	■	■	■
5	00449-90	Pin, Pivot	8	■	■	■	■	■
6	00111-52	Beam	2	■	■	■	■	■
7	00131-89	Spring, Touchbar	1	■	■	■	■	■
8	00702-02	Dogging Channel Assembly	1	■		■	■	
	00701-02		1		■	■	■	
9	Not sold separately	Consolidated Mounting Bracket		■	■	■	■	■

**NOTE:** Fire rated equipment may never be dogged.

## SUB-BRACKET ASSEMBLY



**Figure 5.2** Sub-bracket assembly for hex and cylinder dogging units only.

Item	Part Number	Description	Qty	Dogging Type	
				Hex	CD
1	00115-52	Bracket, Hex Key	1	■	
2	00254-91	E-clip, .250 dia Shaft	1	■	
3	00253-91	1/4 Curved Spring Washer	1	■	
4	00252-52	Dogging Fastener	2	■	■
5	00253-91	1/4 Curved Spring Washer	2	■	■
6	00116-52	Dogging Cam	1	■	■
7	00114-52	Dogging Hook	1	■	■
8	Not sold separately	Consolidated Mounting Bracket		■	■
9	00254-91	E-clip, .250dia Shaft	2	■	■
10	00220-93	Dogging Key	1	■	

**NOTE:** Fire rated equipment may never be dogged.





# 6

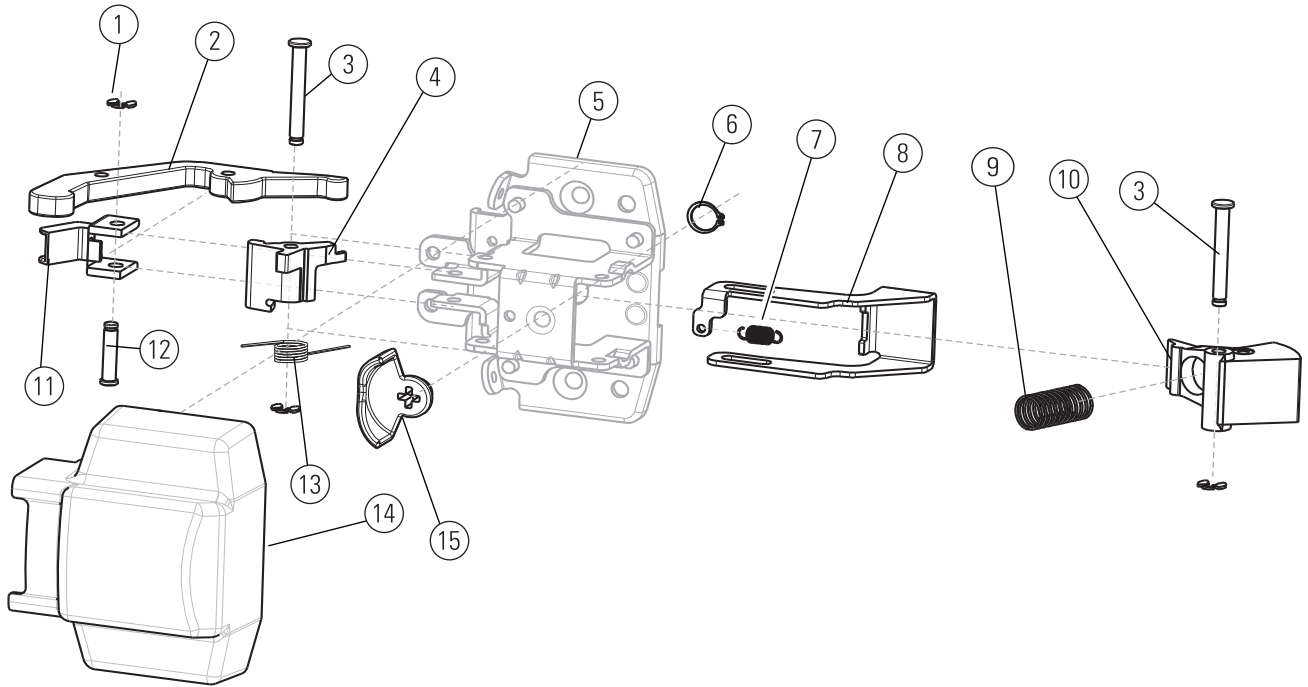
---

---

## ACTIVE CASE PARTS

This chapter provides diagrams and part numbers for the Active Case (chassis) used on the Reliant 5100 and 5200 Exit Devices.

# 5100 ACTIVE CASE PARTS



**Figure 6.1** 5100 Active Case

Item	Part Number	Description	Qty
1	00228-91	Retaining Ring, .188 dia Shaft	3
2	00279-51	Touch Bar Lever	1
3	00287-90	Pin, Pivot, Latchbolt	2
4	00147-51	Deadlock Lever	1
5	Not sold separately	Case Chassis	1
6	00412-91	Retaining Ring, .438 Shaft	1
7	00146-89	Spring, Deadlock Release	1
8	00284-51	Deadlock Release	1
9	00385-89	Spring, Latchbolt	1
10	00226-51	Latchbolt	1
11	00626-51	Touchbar Lever Guard, Reliant	1
12	00229-90	Pin, Pivot, Touchbar Lever	1
13	00328-89	Spring, Torsion	1
14	02474-01	Active Case Cover	1
15	00282-51	Cam, Reliant Rim, 21 Device	1

RHRB and LHRB are mirror images of each other.

## 5200 ACTIVE CASE PARTS

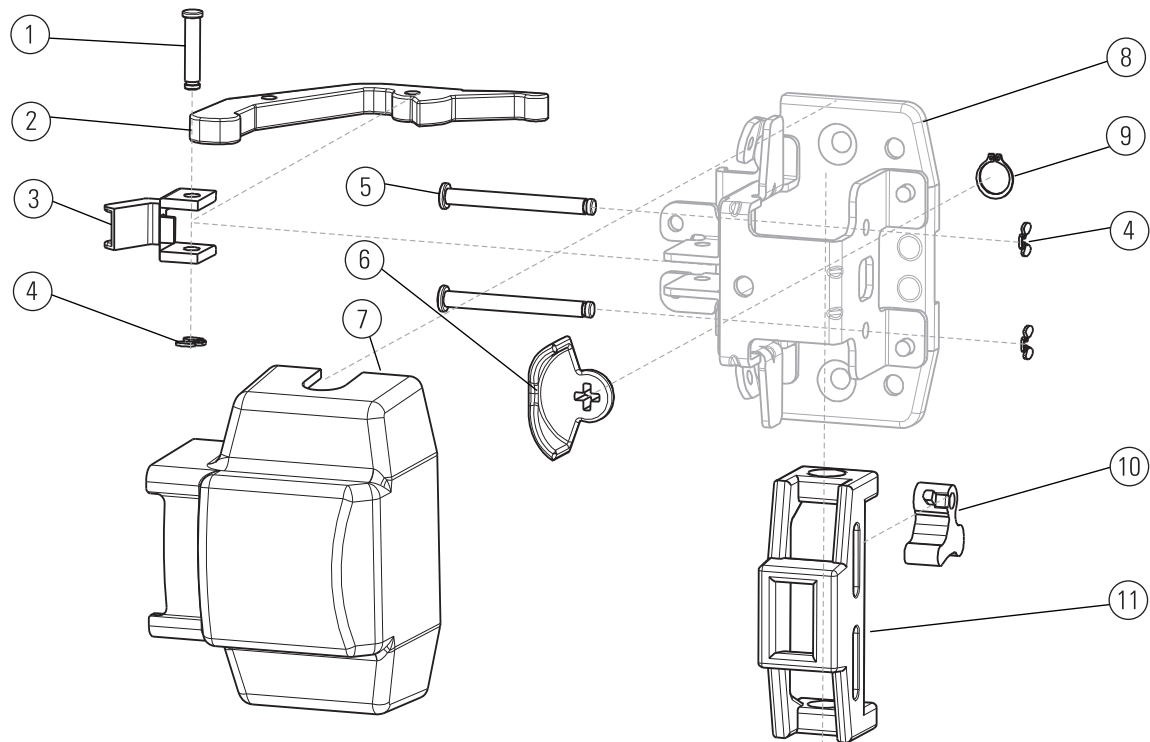


Figure 6.2 5200 Active Case parts

Item	Part Number	Description	Qty
1	00229-90	Pin, Pivot, Touchbar Lever	1
2	00279-51	Touch Bar Lever	1
3	00626-51	Touchbar Lever Guard, Reliant	1
4	00228-91	Retaining Ring, .188dia Shaft	3
5	00156-90	Pin, Pivot, Reliant SVR	2
6	00282-51	Cam, Reliant Rim	1
7	02476-01	SVR Cover Kit (includes hardware)	1
8	Not sold separately	Case Chassis	
9	00412-91	Retaining Ring, .438 Shaft	1
10	00280-51	Rod Carriage Lever, Reliant	1
11	00278-51	Rod Carriage, Reliant	1

RHRB and LHRB are mirror images of each other.



# 7

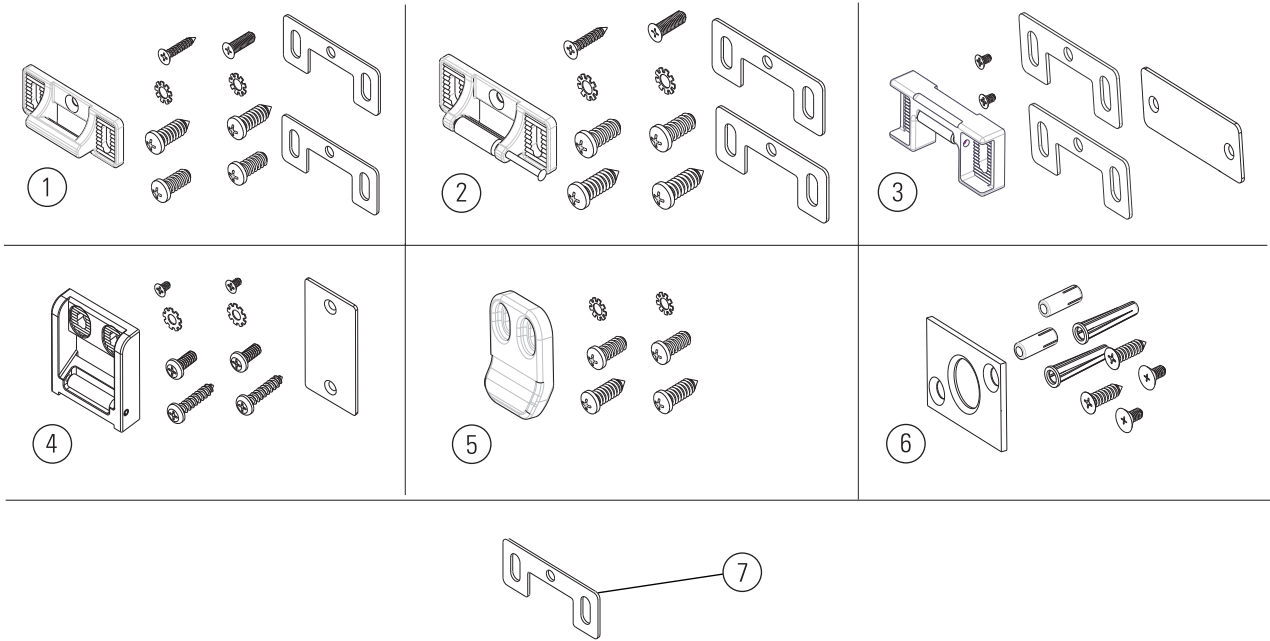
---

---

## **STRIKES AND VERTICAL ROD COMPONENTS**

This chapter provides diagrams and part numbers for the strikes and the components of the 5200 Surface Vertical Rod assemblies.

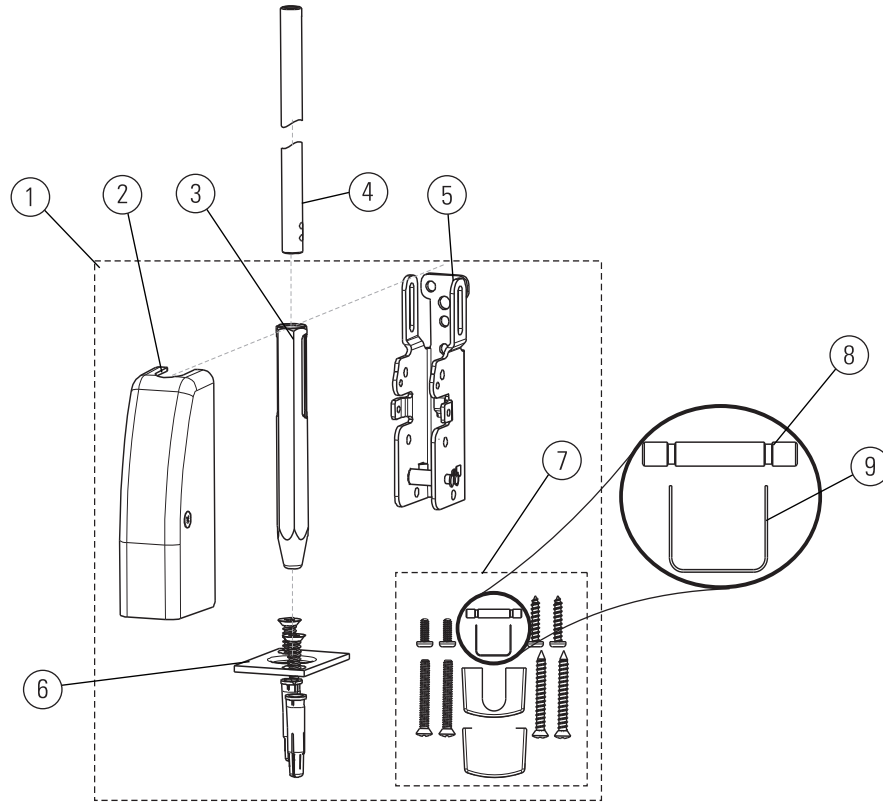
# RELIANT STRIKES



**Figure 7.1** Strikes

Item	Part Number	Description	Qty
1	00300-08	Strike Kit, S300	1
2	00301-08	Strike Kit, Roller, S301	1
3	00458-08	Strike Kit, Roller, Narrow S458	1
4	00988-08	Strike Kit, Roller, Aluminum Door S988	1
5	00459-08	Strike Kit, Blade S459	1
6	00460-08	Strike Kit, Bottom S460	1
7	00232-58	Shim, Strike	1

## 5200 SVR BOTTOM LATCH



**Figure 7.2** 2200 SVR bottom latch

Item	Part Number	Description	Qty
1	01008-03	Bottom Latch Kit, SVR (includes items 2, 3, 5, 6, and 7)	
2	01012-03	Latch Cover Kit, Reliant	1
3	00540-53	Bottom Bolt, SVR	1
4	00787-53 *	Bottom Rod, SVR (sold separately)	1
5	02356-03	Bottom Latch Channel Assembly, SVR	1
6	00460-08	Strike Kit, Bottom S460	1
7	02845-09-000	Screw Pack, Surface Latch, 1/4-20	1
8	00398-90	Rod Pin	1
9	01237-53	Spring Clip	1
Not shown	01864-03 *	Bottom Rod Kit (includes rod and screwpack <a href="#">02112-09-000</a> )	1
	05248-09 *	Bottom Rod Kit Longer 5200 (includes rod and screwpack <a href="#">02845-09-000</a> )	1

\* Specify finish when ordering these parts.

# 5200 SVR TOP LATCH

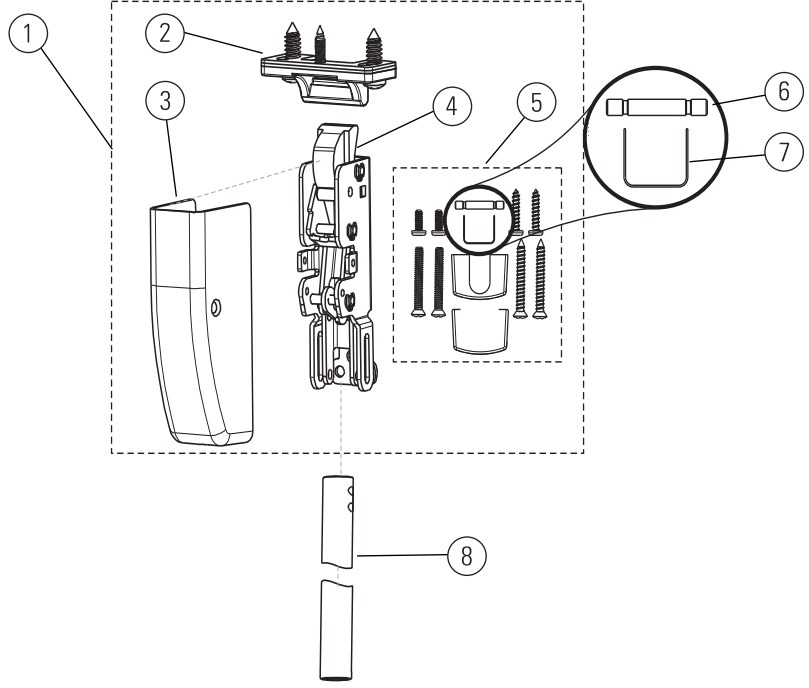


Figure 7.3 2200 SVR top latch

Item	Part Number	Description	Qty	Door Height		
				7ft	8ft	10ft
1	01002-03	Top Latch Kit, SVR (includes items 2, 3, 4, and 5)	1	■	■	■
2	00300-08	Strike Kit, Standard, S300	1	■	■	■
3	01012-03	Latch Cover Kit (includes hardware)	1	■	■	■
4	00296-03	Top Latch Assembly, SVR	1	■	■	■
5	02845-09-000	Screw Pack, Surface Latch, 1/4-20	1	■	■	■
6	00398-90	Rod Pin	1	■	■	■
7	01237-53	Spring Clip		■	■	■
8	00546-53 *	Top Rod, SVR (sold separately)	1	■		
	00547-53 *				■	
	00549-53 *					■
Not shown	01860-03 *	Top Rod SVR Kit (includes rod and screwpack <a href="#">02112-09-000</a> )	1	■		
	01861-03 *		1		■	
	01863-03 *		1			■

\* Specify finish when ordering these parts.







# 8

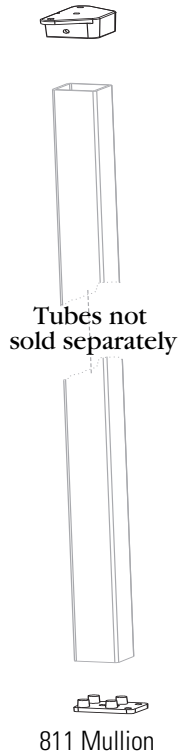
---

---

## OTHER COMPONENTS

This chapter covers mullions, conversion kits, and miscellaneous hardware that may not be covered in other chapters.

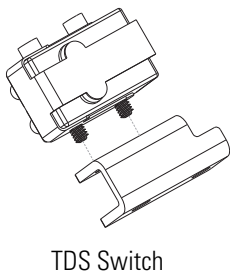
# MULLIONS



Part Number	Description	Model		
		811	822	KR822
KRC822	Mullion Head Cap Assembly			■
MC811	Mullion Headcap	■		
MC822	Mullion Headcap		■	
MB811	Mullion Sill Base	■		
MB822	Mullion Sill Base		■	
02856-07	Screw Pack, 811 Mullion Assembly	■		
02857-07	Screw Pack, 822 Mullion Head Cap & Sill Base		■	
ST989	Mullion Stabilizer Kit (includes hardware)	■	■	■
MCS822	Spacer, Mullion	■	■	■
S1447	Interlock Kit	■	■	■

# TOUCHBAR SWITCHES

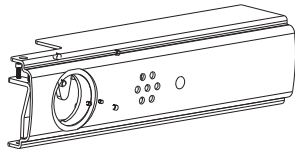
These switches can be added to the electrical Exit Devices listed in the chart.



Part Number	Description	Used on
00309-06	TS - Touchbar Switch Monitoring Assembly TSK309	All
00310-06	TDS - Touchbar Double Switch Monitor TDS310	All

## EXIT ALARM KITS

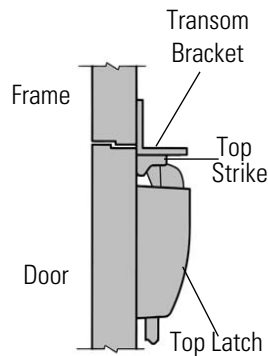
The ALK models come with batteries included. .



Part Number	Description	Length		Power	
		3ft	4ft	ALK	ALW
00491-06 *	Exit Alarm	■		■	
00492-06 *			■	■	
00493-06 *		■			■
00494-06 *			■		■


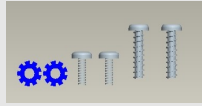

\* Specify finish when ordering these parts.

## SHIMS AND BRACKETS





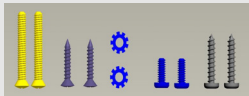


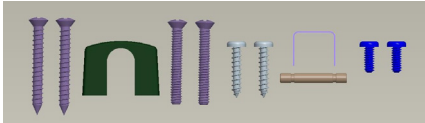

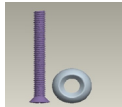
Part Number	Description	Used on
00232-58	Shim, Strike	Strike S300, S301, and S458
00453-53	Transom Bracket for S300 Strike	Top Latches

## SCREW PACKS

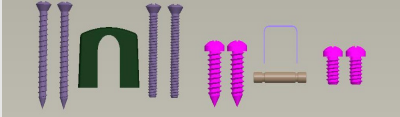

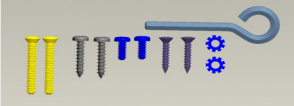
Part Number	Description	Contents
02102-09 *	Screw Pack, 4 Cover Screws	 (4) Screw, #8-32 X 3/8 PUFHMS
02103-09-000	Screw Pack, Endcap Bracket	 (2) Washer, #10 External Tooth (2) Screw, #10-24 X 1/2 (2) Screw, #10-16 X 1
02104-09 *	Screw Pack, Endcap Screws	 (2) Screw, #8-32 X 3/8 PUFHMS

\* Specify finish when ordering these parts.

## Other Components

Part Number	Description	Contents
02105-09 *	Screw Pack, Cylinder Dogging	 <p>Nut, Cylinder Locking Washer, Cylinder Locating 3/16 Cylinder Collar</p>
02106-09 *	Screw Pack, 2 Cover Screws	 <p>(2) Screw, #8-32 X 3/8 PUFHMS</p>
02107-09-000	Screw Pack, 2400, 5100, 5200	 <p>(2) Screw, #10-24 X 1-1/2 POHMS (2) Screw, #10-16 X 1 POHSMS (2) Washer, #10 External Tooth (2) Screw, #10-24 X 1/2 PPHMS (2) Screw, #10-16 X 1 PPHSMS TYPE AB</p>
02109-09 *	Screw Pack, Latchbolt Cover	 <p>Latch Opening Cover</p>
02110-09 *	Screw Pack, 1/2in Blocking Ring, Narrow w/o Trim	 <p>1/2 Cylinder Collar</p>
02112-09-000	Screw Pack, Surface Latch	 <p>(2) Screw, #10 X 1-3/4" POHSMS Rod Guide (2) Screw, #10-24 X 1-1/2" POHMS, (2) Screw, #10-16 X 1 PPHSMS Spring Clip, Vertical Rod Pin, Rod, .188 X 1.296 (2) Screw, #10-24 X 1/2 PPHMS</p>
02113-09 *	Screw Pack, Guide Strap	 <p>Rod Guide Strap</p>
02120-09 *	Screw Pack, A And C Grip Bottom Screw	 <p>Screw, #1/4-20 x 2 POHMS Washer, Finish, 1/4</p>

\* Specify finish when ordering these parts.

Part Number	Description	Contents
02845-09-000	Screw Pack, Surface Latch, 1/4-20	 <p>(2) Screw, #10 X 1-3/4" POHSMS (A) Rod Guide (2) Screw, #10-24 X 1-1/2" POHMS (2) Screw, 1/4-14 X 1 PPHSMS Spring Clip, Vertical Rod Pin, Rod, .188 X 1.296 (2) Screw, 1/4-14 X 1 PPHSMS</p>
02985-04 *	Screw Pack For Dummy Trim	 <p>(4) Washer, Finish, #10 (4) Screw, #10-24 X 1-1/2 POHMS</p>
03240-09-SST	Screw Pack, 2400, 5100, 5200	 <p>(2) Screw, #10-24 X 1-1/2 POHMS (2) Screw, #10-16 X 1 PPHSMS (2) Screw, #10-24 X 1/2 PPHMS (2) Screw, #10-16 X 1 POHSMS (2) Washer, #10 External Tooth Hex Dogging Key</p>

\* Specify finish when ordering these parts.





# 9

---

---

## GLOSSARY

<b>ALK</b>	Exit alarm, battery operated.
<b>ALW</b>	Exit alarm, remote powered.
<b>Cam</b>	See <i>Cylinder cam</i> .
<b>Core</b>	See <i>Interchangeable core</i> .
<b>Cylinder cam</b>	A rotating part of a keyed cylinder that drives the deadbolt or latchbolt.
<b>CD</b>	Cylinder dogging.
<b>Cylinder ring</b>	A metal ring that fits around the cylinder and protects it from tampering. The cylinder ring also spaces the cylinder out to the right position.
<b>Door bevel</b>	The angle on the edge of a door.
<b>E</b>	Electric device.
<b>Escutcheon</b>	A surface-mounted plate that covers holes that were made in the door for levers and cylinders.
<b>Figure-8</b>	The basic shape of the interchangeable core and its housing (door lever, cylinder, padlock, and so forth.). See also <i>Interchangeable core</i> .
<b>FL</b>	Fire exit hardware.
<b>Hand of door</b>	The swing direction of the door as viewed from the outside of the door. A right-handed (RH) door is hinged on the right and swings inward. A left-handed (LH) door is hinged on the left and swings inward. If either of these doors swings outward, it becomes a right-hand reverse bevel (RHRB) door, or a left-hand reverse bevel (LHRB) door respectively.
<b>Interchangeable core</b>	A figure-8 shaped device that contains all mechanical parts for a masterkeyed system. The interchangeable core can be removed by a special control key and can be recombined without disassembling the lock. See also <i>Figure-8</i> .

## Glossary

---

<b>Lock function</b>	An ANSI code number describing the way a lock operates.
<b>Removable core</b>	See <i>Interchangeable core</i> .
<b>SNB</b>	Sex nuts and bolts.
<b>SVR</b>	Surface vertical rod.
<b>Tailpiece</b>	A part that extends from the back of the cylinder and engages an exit device mechanism.
<b>TDS</b>	Touchbar monitoring double switch. See also <i>Request-to-exit switch</i> .
<b>Template</b>	A precise, detailed hole pattern that serves as a guide for the mortising and drilling of doors and frames.
<b>TS</b>	Touchbar monitoring switch. See also <i>Request-to-exit switch</i> .
<b>Wire harness</b>	A group of wires bundled together with connectors at either end.



---

---

# INDEX

## INDEX BY PART NUMBER

00108-52, Bracket, Touchbar .....	5-2
00110-52, Bumper .....	5-2
00111-52, Beam .....	5-2
00114-52, Dogging Hook.....	5-3
00115-52, Bracket, Hex Key .....	5-3
00116-52, Dogging Cam .....	5-3
00120-52, Device Channel .....	4-2
00122-52, Device Channel .....	4-2
00131-89, Spring, Touchbar .....	5-2
00133-52, Endcap Cover .....	4-3
00146-89, Spring, Deadlock Release .....	6-2
00147-51, Deadlock Lever .....	6-2
00156-90, Pin, Pivot, Reliant SVR .....	6-3
00160-02, Touchpad Sub-assembly .....	4-2
00162-02, Touchpad Sub-assembly .....	4-2
00191-50, Backplate, Reliant Rim .....	3-4
00192-50, Tail Piece, Reliant Trim.....	3-5
00199-04, 501 Trim Assembly .....	3-2
00200-04, 602 Trim Plate Assembly .....	3-2
00201-04, 603 Trim Plate Assembly .....	3-2
00202-50, Escutcheon, 08 Trim, Reliant ...	3-4
00203-50, Escutcheon, 14 Trim, Reliant ...	3-4
00206-04, 702 Trim Plate Sub Assembly ...	3-3
00207-04, 703 Trim Plate Sub Assembly ...	3-3
00213-50, Hub, Reliant Trim .....	3-5
00214-50, Spindle Hub, Reliant Trim .....	3-5
00220-93, Dogging Key .....	5-3
00220-93, Dogging Key .....	4-4
00222-50, Stud, Reliant Trim .....	3-3, 3-4
00223-89, Spring, Torsion, Reliant Trim ...	3-5
00226-51, Latchbolt.....	6-2
00228-91, Retaining Ring .....	5-2
00228-91, Retaining Ring, .188 dia Shaft...	6-2
00228-91, Retaining Ring, .188 dia Shaft...	6-3
00229-90, Pin, Pivot, Touchbar Lever .....	6-2, 6-3

Part Number	Page	Part Number	Page
00232-58, Shim, Strike .....	7-2, 8-3	00617-91, Retaining Ring, .375 dia Shaft .....	3-5
00233-54, Trim Stud.....	3-3	00626-51, Touchbar Lever Guard, .....	6-2, 6-3
00236-52, Plain Hinge Filler .....	4-4	00672-92, "Arm/Disarm" Label .....	4-5
00237-52, Plain Hinge Filler .....	4-4	00699-06, Alarm Chassis Assembly .....	4-5
00240-52, Hex Hinge Filler .....	4-4	00701-02, Dogging Channel Assembly .....	5-2
00241-52, Hex Hinge Filler .....	4-4	00702-02, Dogging Channel Assembly .....	5-2
00248-52, Hinge Filler for 00491-06 .....	4-5	00778-02, Endcap Device .....	4-3
00248-52, Hinge Filler for 00493-06 .....	4-5	00787-53, Bottom Rod, SVR .....	7-3
00249-52, Hinge Filler for 00492-06 .....	4-5	00872-92, "Emergency Exit Only" Label.....	4-5
00249-52, Hinge Filler for 00494-06 .....	4-5	00899-06, Alarm Chassis Assembly .....	4-5
00252-52, Dogging Fastener .....	5-3	00988-08, Strike Kit, Roller, Al Door .....	7-2
00253-91, 1/4 Curved Spring Washer .....	5-3	01002-03, Top Latch Kit, SVR .....	7-4
00254-91, E-clip, .250 dia Shaft .....	5-3	01008-03, Bottom Latch Kit, SVR .....	7-3
00254-91, E-clip, .250dia Shaft .....	5-3	01012-03, Latch Cover Kit .....	7-4
00278-51, Rod Carriage, Reliant.....	6-3	01012-03, Latch Cover Kit, Reliant .....	7-3
00279-51, Touch Bar Lever .....	6-2, 6-3	01237-53, Spring Clip.....	7-3, 7-4
00280-51, Rod Carriage Lever, Reliant.....	6-3	01460-56, Lens, LED.....	4-5
00282-51, Cam, Reliant Rim.....	6-3	01723-56, Grommet .....	4-3
00282-51, Cam, Reliant Rim, 21 Device.....	6-2	01860-03, Top Rod SVR Kit .....	7-4
00284-51, Deadlock Release .....	6-2	01861-03, Top Rod SVR Kit .....	7-4
00287-90, Pin, Pivot, Latchbolt .....	6-2	01863-03, Top Rod SVR Kit .....	7-4
00296-03, Top Latch Assembly, SVR.....	7-4	01864-03, Bottom Rod Kit .....	7-3
00300-08, Strike Kit, S300.....	7-2	02102-09, Screw Pack, 4 Cover Screws .....	8-3
00300-08, Strike Kit, Standard, S300.....	7-4	02103-09-000, Screw Pack, Endcap Bracket.....	8-3
00301-08, Strike Kit, Roller, S301 .....	7-2	02104-09, Screw Pack, Endcap Screws.....	8-3
00305-02, Endcap Mounting Bracket .....	4-3	02104-09, Screw Pack, Endcap Screws .....	4-3
00309-06, TS - Monitoring Assembly.....	8-2	02105-09, Screw Pack, Cylinder Dogging..	8-4
00310-06, TDS - Double Switch Monitor .....	8-2	02105-09, Cylinder Attachment Kit .....	4-4
00323-54, A Grip .....	3-3	02106-09, Screw Pack, 2 Cover Screws .....	8-4
00328-89, Spring, Torsion.....	6-2	02107-09-000, Screw Pack, 5100, 5200 .....	8-4
00385-89, Spring, Latchbolt .....	6-2	02109-09, Screw Pack, Latchbolt Cover .....	8-4
00398-90, Rod Pin .....	7-3, 7-4	02110-09, Screw Pack, 1/2in Blocking .....	8-4
00412-91, Retaining Ring, .438 Shaft .....	6-2, 6-3	02112-09-000, Screw Pack, Surface Latch..	8-4
00449-90, Pin, Pivot .....	5-2	02113-09, Screw Pack, Guide Strap .....	8-4
00453-53, Transom Bracket for S300 Strike.....	8-3	02120-09, Screw Pack, Bottom Screw .....	8-4
00458-08, Strike Kit, Roller, Narrow S458 .....	7-2	02122-09, Cylinder Sleeve Kit.....	3-2, 3-3
00459-08, Strike Kit, Blade S459 .....	7-2	02123-09, Cylinder Attachment, Lever Trim.....	3-4
00460-08, Strike Kit, Bottom S460 .....	7-2, 7-3	02130-52, Touchbar Guide .....	5-2
00489-02, CD Hinge Filler .....	4-4	02309-09, ALW Hardware Pack .....	4-5
00490-02, CD Hinge Filler .....	4-4	02310-09, ALK Hardware Pack .....	4-5
00491-06, Alarm- ALK Filler .....	4-4	02356-03, Bottom Latch Channel .....	7-3
00491-06, Exit Alarm.....	8-3	02474-01, Active Case Cover .....	6-2
00492-06, Alarm- ALK Filler .....	4-4	02476-01, SVR Cover Kit .....	6-3
00492-06, Exit Alarm.....	8-3	02760-04, Complete A Lever Kit RHRB Trim .....	3-5
00493-06, Alarm - ALW Filler .....	4-4	02761-04, Complete A Lever Kit LHRB Trim .....	3-5
00493-06, Exit Alarm.....	8-3	02845-09-000, Screw Pack, Surface Latch... ..	7-3, 7-4, 8-5
00494-06, Alarm - ALW Filler .....	4-4	02856-07, Screw Pack, 811 Mullion.....	8-2
00494-06, Exit Alarm.....	8-3	02857-07, Screw Pack, 822 Mullion .....	8-2
00540-53, Bottom Bolt, SVR.....	7-3	02985-04, Screw Pack For Dummy Trim .....	8-5
00546-53, Top Rod, SVR .....	7-4	03152-04, 700 Trim Grip Kit .....	3-3
00547-53, Top Rod, SVR .....	7-4	03240-09-SST, Screw Pack, 5100, 5200 .....	8-5
00549-53, Top Rod, SVR .....	7-4	03306-02, Endcap Device .....	4-3
00615-04, Backplate Assembly, 800 Trim .....	3-4	05248-09, Bottom Rod Kit Longer 5200 .....	7-3
00616-04, A Lever Assembly Reliant .....	3-5		

Part Number	Page	Part Number	Page
K		MCS822, Spacer, Mullion .....	8-2
KRC822, Mullion Head Cap Assembly .....	8-2	S	
M		S1447, Interlock Kit .....	8-2
MB811, Mullion Sill Base .....	8-2	ST989, Mullion Stabilizer Kit .....	8-2
MB822, Mullion Sill Base .....	8-2		
MC811, Mullion Headcap.....	8-2		
MC822, Mullion Headcap.....	8-2		

## INDEX BY PART TYPE

### Mullions

KRC822, Mullion Head Cap Assembly .....	8-2
MB811, Mullion Sill Base .....	8-2
MB822, Mullion Sill Base .....	8-2
MC811, Mullion Headcap.....	8-2
MC822, Mullion Headcap.....	8-2
MCS822, Spacer, Mullion .....	8-2
S1447, Interlock Kit .....	8-2
ST989, Mullion Stabilizer Kit.....	8-2
02856-07, Screw Pack, 811 Mullion .....	8-2
02857-07, Screw Pack, 822 Mullion .....	8-2

### Active case

02474-01, Active Case Cover .....	6-2
02476-01, SVR Cover Kit.....	6-3

### Touchbar

00160-02, Touchpad Sub-assembly .....	4-2
00162-02, Touchpad Sub-assembly .....	4-2
00305-02, Endcap Mounting Bracket .....	4-3
00489-02, CD Hinge Filler.....	4-4
00490-02, CD Hinge Filler.....	4-4
00701-02, Dogging Channel Assembly .....	5-2
00702-02, Dogging Channel Assembly .....	5-2
00778-02, Endcap Device.....	4-3
03306-02, Endcap Device.....	4-3

### Vertical rod latch

00296-03, Top Latch Assembly, SVR.....	7-4
01002-03, Top Latch Kit, SVR .....	7-4
01008-03, Bottom Latch Kit, SVR.....	7-3
01012-03, Latch Cover Kit .....	7-4
01012-03, Latch Cover Kit, Reliant .....	7-3
01860-03, Top Rod SVR Kit .....	7-4
01861-03, Top Rod SVR Kit .....	7-4
01863-03, Top Rod SVR Kit .....	7-4
01864-03, Bottom Rod Kit .....	7-3
02356-03, Bottom Latch Channel, SVR .....	7-3

### Trim

00199-04, 501 Trim Assembly.....	3-2
----------------------------------	-----

00200-04, 602 Trim Plate Assembly.....	3-2
00201-04, 603 Trim Plate Assembly.....	3-2
00206-04, 702 Trim Plate Sub Assembly... 3-3	
00207-04, 703 Trim Plate Sub Assembly... 3-3	
00615-04, Backplate Assembly, 800 Trim . 3-4	
00616-04, A Lever Assembly Reliant .....	3-5
02760-04, A Lever Kit RHRB Trim .....	3-5
02761-04, A Lever Kit LHRB Trim .....	3-5
02985-04, Screw Pack For Dummy Trim .. 8-5	
03152-04, 700 Trim Grip Kit.....	3-3

### Electrical

00309-06, TS -Monitoring Assembly.....	8-2
00310-06, TDS -Double Switch Monitor .. 8-2	
00491-06, Alarm- ALK Filler .....	4-4
00491-06, Exit Alarm.....	8-3
00492-06, Alarm- ALK Filler .....	4-4
00492-06, Exit Alarm.....	8-3
00493-06, Alarm - ALW Filler .....	4-4
00493-06, Exit Alarm.....	8-3
00494-06, Alarm - ALW Filler .....	4-4
00494-06, Exit Alarm.....	8-3
00699-06, Alarm Chassis Assembly .....	4-5
00899-06, Alarm Chassis Assembly .....	4-5

### Strike

00300-08, Strike Kit, S300.....	7-2
00300-08, Strike Kit, Standard, S300.....	7-4
00301-08, Strike Kit, Roller, S301 .....	7-2
00458-08, Strike Kit, Roller, Narrow S458 7-2	
00459-08, Strike Kit, Blade S459 .....	7-2
00460-08, Strike Kit, Bottom S460 .....	7-2, 7-3
00988-08, Strike Kit, Roller, Al Door S988 7-2	

### Hardware kits

02102-09, Screw Pack, 4 Cover Screws ....	8-3
02103-09-000, Screw Pack, Endcap Bracket8-3	
02104-09, Screw Pack, Endcap Screws.....	8-3
02104-09, Screw Pack, Endcap Screws.....	4-3
02105-09, Screw Pack, Cylinder Dogging. 8-4	
02105-09, Cylinder Attachment Kit .....	4-4
02106-09, Screw Pack, 2 Cover Screws ....	8-4
02107-09-000, Screw Pack, 5100, 5200 ....	8-4

Part Number	Page
02109-09, Screw Pack, Latchbolt Cover ...	8-4
02110-09, Screw Pack, 1/2in Blocking Ring,	8-4
02112-09-000, Screw Pack, Surface Latch.	8-4
02113-09, Screw Pack, Guide Strap .....	8-4
02120-09, Screw Pack, Bottom Screw .....	8-4
02122-09, Cylinder Sleeve Kit .....	3-2, 3-3
02123-09, Cylinder Attachment, Lever Trim	3-4
02309-09, ALW Hardware Pack .....	4-5
02310-09, ALK Hardware Pack .....	4-5
02845-09-000, Screw Pack, Surface Latch, 1/4-20	7-3, 7-4, 8-5
03240-09-SST, Screw Pack, 5100, 5200.....	8-5
05248-09, Bottom Rod Kit Longer 5200 ...	7-3

**Individual trim parts**

00191-50, Backplate, Reliant Rim .....	3-4
00192-50, Tail Piece, Reliant Trim .....	3-5
00202-50, Escutcheon, 08 Trim .....	3-4
00203-50, Escutcheon, 14 Trim .....	3-4
00213-50, Hub, Reliant Trim .....	3-5
00214-50, Spindle Hub, Trim .....	3-5
00222-50, Stud, Reliant Trim .....	3-3, 3-4

**Individual active case parts**

00147-51, Deadlock Lever .....	6-2
00226-51, Latchbolt .....	6-2
00278-51, Rod Carriage, Reliant .....	6-3
00279-51, Touch Bar Lever .....	6-2, 6-3
00280-51, Rod Carriage Lever .....	6-3
00282-51, Cam, Reliant Rim .....	6-3
00282-51, Cam, Reliant Rim, .....	6-2
00284-51, Deadlock Release .....	6-2
00626-51, Touchbar Lever Guard .....	6-2, 6-3
00108-52, Bracket, Touchbar .....	5-2
00110-52, Bumper .....	5-2
00111-52, Beam .....	5-2
00114-52, Dogging Hook .....	5-3
00115-52, Bracket, Hex Key .....	5-3
00116-52, Dogging Cam .....	5-3
00120-52, Device Channel .....	4-2
00122-52, Device Channel .....	4-2
00133-52, Endcap Cover .....	4-3
00236-52, Plain Hinge Filler .....	4-4
00237-52, Plain Hinge Filler .....	4-4
00240-52, Hex Hinge Filler .....	4-4
00241-52, Hex Hinge Filler .....	4-4

**INDEX BY PART DESCRIPTION**

1/4 Curved Spring Washer, 00253-91 .....	5-3
501 Trim Assembly, 00199-04 .....	3-2
602 Trim Plate Assembly, 00200-04 .....	3-2
603 Trim Plate Assembly, 00201-04 .....	3-2

Part Number	Page
00248-52, Hinge Filler for 00491-06 .....	4-5
00248-52, Hinge Filler for 00493-06 .....	4-5
00249-52, Hinge Filler for 00492-06 .....	4-5
00249-52, Hinge Filler for 00494-06 .....	4-5
00252-52, Dogging Fastener .....	5-3
02130-52, Touchbar Guide .....	5-2

**Individual vertical rod parts**

00453-53, Transom Bracket .....	8-3
00540-53, Bottom Bolt, SVR .....	7-3
00546-53, Top Rod, SVR .....	7-4
00547-53, Top Rod, SVR .....	7-4
00549-53, Top Rod, SVR .....	7-4
00787-53, Bottom Rod, SVR .....	7-3
01237-53, Spring Clip .....	7-3, 7-4

**Miscellaneous individual parts**

00233-54, Trim Stud .....	3-3
00323-54, A Grip .....	3-3
01460-56, Lens, LED .....	4-5
01723-56, Grommet .....	4-3
00232-58, Shim, Strike .....	7-2, 8-3
00131-89, Spring, Touchbar .....	5-2
00146-89, Spring, Deadlock Release .....	6-2
00223-89, Spring, Torsion, Reliant Trim ...	3-5
00328-89, Spring, Torsion .....	6-2
00385-89, Spring, Latchbolt .....	6-2

**Individual hardware**

00156-90, Pin, Pivot, Reliant SVR .....	6-3
00229-90, Pin, Pivot, Touchbar Lever .....	6-2, 6-3
00287-90, Pin, Pivot, Latchbolt .....	6-2
00398-90, Rod Pin .....	7-3, 7-4
00449-90, Pin, Pivot .....	5-2
00228-91, Retaining Ring .....	5-2
00228-91, Retaining Ring, .188 dia Shaft ..	6-2
00228-91, Retaining Ring, .188 dia Shaft ..	6-3
00253-91, 1/4 Curved Spring Washer .....	5-3
00254-91, E-clip, .250 dia Shaft .....	5-3
00254-91, E-clip, .250dia Shaft .....	5-3
00412-91, Retaining Ring, .438 Shaft .....	6-2, 6-3
00617-91, Retaining Ring, .375 dia Shaft ...	3-5
00672-92, "Arm/Disarm" Label .....	4-5
00872-92, "Emergency Exit Only" Label ...	4-5
00220-93, Dogging Key .....	4-4, 5-3

700 Trim Grip Kit, 03152-04 .....	3-3
702 Trim Plate Sub Assembly, 00206-04 ...	3-3
703 Trim Plate Sub Assembly, 00207-04 ...	3-3

Part Description	Page	Part Description	Page
<b>A</b>			
A Grip, 00323-54 .....	3-3	Dogging Key, 00220-93 .....	5-3
A Lever Assembly Reliant, 00616-04 .....	3-5	<b>E</b>	
Active Case Cover, 02474-01 .....	6-2	E-clip, .250 dia Shaft, 00254-91 .....	5-3
Alarm - ALW Filler, 00493-06 .....	4-4	E-clip, .250 dia Shaft, 00254-91 .....	5-3
Alarm - ALW Filler, 00494-06 .....	4-4	“Emergency Exit Only” Label, 00872-92 ....	4-5
Alarm- ALK Filler, 00491-06 .....	4-4	Endcap Cover, 00133-52 .....	4-3
Alarm- ALK Filler, 00492-06 .....	4-4	Endcap Device, 00778-02 .....	4-3
Alarm Chassis Assembly, 00699-06 .....	4-5	Endcap Device, 03306-02 .....	4-3
Alarm Chassis Assembly, 00899-06 .....	4-5	Endcap Mounting Bracket, 00305-02 .....	4-3
ALK Hardware Pack, 02310-09 .....	4-5	Endcap, See page 4 3. ....	4-2
ALW Hardware Pack, 02309-09 .....	4-5	Escutcheon, 08 Trim, Reliant, 00202-50 ....	3-4
“Arm/Disarm” Label, 00672-92 .....	4-5	Escutcheon, 14 Trim, Reliant, 00203-50 ....	3-4
<b>B</b>			
Backplate Assembly, 800 Trim, 00615-04 ..	3-4	Exit Alarm, 00491-06 .....	8-3
Backplate, Reliant Rim, 00191-50 .....	3-4	Exit Alarm, 00492-06 .....	8-3
Beam, 00111-52 .....	5-2	Exit Alarm, 00493-06 .....	8-3
Bottom Bolt, SVR, 00540-53 .....	7-3	Exit Alarm, 00494-06 .....	8-3
Bottom Latch Channel, SVR, 02356-03 .....	7-3	<b>G</b>	
Bottom Latch Kit, SVR, 01008-03 .....	7-3	Grommet, 01723-56 .....	4-3
Bottom Rod Kit, 01864-03 .....	7-3	<b>H</b>	
Bottom Rod Kit Longer 5200, 05248-09 ....	7-3	Hex Hinge Filler, 00240-52 .....	4-4
Bottom Rod, SVR, 00787-53 .....	7-3	Hex Hinge Filler, 00241-52 .....	4-4
Bracket, Hex Key, 00115-52 .....	5-3	Hinge Filler for 00491-06, 00248-52 .....	4-5
Bracket, Touchbar, 00108-52 .....	5-2	Hinge Filler for 00492-06, 00249-52 .....	4-5
Bumper, 00110-52 .....	5-2	Hinge Filler for 00493-06, 00248-52 .....	4-5
<b>C</b>			
Cam, Reliant Rim, 00282-51 .....	6-3	Hinge Filler for 00494-06, 00249-52 .....	4-5
Cam, Reliant Rim, 21 Device, 00282-51 ....	6-2	Hinge Filler, See page 4 4. ....	4-2
Case Chassis, Not sold separately .....	6-2, 6-3	Hub, Reliant Trim, 00213-50 .....	3-5
CD Hinge Filler, 00489-02 .....	4-4	<b>I</b>	
CD Hinge Filler, 00490-02 .....	4-4	Interlock Kit, S1447 .....	8-2
Complete A Lever Kit LHRB Trim, 02761-04 3-5		<b>L</b>	
Complete A Lever Kit RHRB Trim, 02760-04 3-5		Latch Cover Kit, 01012-03 .....	7-4
Consolidated Mounting Bracket, .....	5-2, 5-3	Latch Cover Kit, Reliant, 01012-03 .....	7-3
Cylinder Attachment Kit, 02105-09 .....	4-4	Latchbolt, 00226-51 .....	6-2
Cylinder Attachment, Lever Trim, 02123-09 3-4		Lens, LED, 01460-56 .....	4-5
Cylinder Sleeve Kit, 02122-09 .....	3-2, 3-3	<b>M</b>	
<b>D</b>			
Deadlock Lever, 00147-51 .....	6-2	Mullion Head Cap Assembly, KRC822 .....	8-2
Deadlock Release, 00284-51 .....	6-2	Mullion Headcap, MC811 .....	8-2
Description, Number .....	8-2	Mullion Headcap, MC822 .....	8-2
Description, Part Number .....	4-3, 5-2, 5-3, 7-4, 8-2, 8-3	Mullion Sill Base, MB811 .....	8-2
Device Channel, 00120-52 .....	4-2	Mullion Sill Base, MB822 .....	8-2
Device Channel, 00122-52 .....	4-2	Mullion Stabilizer Kit, ST989 .....	8-2
Dogging Cam, 00116-52 .....	5-3	<b>P</b>	
Dogging Channel Assembly, 00701-02 .....	5-2	Pin, Pivot, 00449-90 .....	5-2
Dogging Channel Assembly, 00702-02 .....	5-2	Pin, Pivot, Latchbolt, 00287-90 .....	6-2
Dogging Fastener, 00252-52 .....	5-3	Pin, Pivot, Reliant SVR, 00156-90 .....	6-3
Dogging Hook, 00114-52 .....	5-3	Pin, Pivot, Touchbar Lever, 00229-90 .....	6-2, 6-3
Dogging Key, 00220-93 .....	4-4	Plain Hinge Filler, 00236-52 .....	4-4
		Plain Hinge Filler, 00237-52 .....	4-4

Part Description	Page	Part Description	Page
<b>R</b>			
Retaining Ring, .188 dia Shaft, 00228-91 ...	6-2	Spring, Torsion, 00328-89 .....	6-2
Retaining Ring, .188dia Shaft, 00228-91 ....	6-3	Spring, Torsion, Reliant Trim, 00223-89 ....	3-5
Retaining Ring, .438 Shaft, 00412-91 .....	6-2, 6-3	Spring, Touchbar, 00131-89 .....	5-2
Retaining Ring, 00228-91 .....	5-2	Strike Kit, Blade S459, 00459-08 .....	7-2
Retaining Ring, .375 dia Shaft, 00617-91 ....	3-5	Strike Kit, Bottom S460, 00460-08 .....	7-2, 7-3
Rod Carriage Lever, Reliant, 00280-51 .....	6-3	Strike Kit, Roller, Al Door S988, 00988-08 .	7-2
Rod Carriage, Reliant, 00278-51 .....	6-3	Strike Kit, Roller, Narrow S458, 00458-08 .	7-2
Rod Pin, 00398-90 .....	7-3, 7-4	Strike Kit, Roller, S301, 00301-08 .....	7-2
<b>S</b>			
Screw Pack For Dummy Trim, 02985-04 ...	8-5	Strike Kit, S300, 00300-08 .....	7-2
Screw Pack, 1/2in Blocking Ring, 02110-09	8-4	Strike Kit, Standard, S300, 00300-08 .....	7-4
Screw Pack, 2 Cover Screws, 02106-09 .....	8-4	Stud, Reliant Trim, 00222-50 .....	3-3, 3-4
Screw Pack, 2400, 5100, 5200, 02107-09-000	8-4	SVR Cover Kit, 02476-01 .....	6-3
Screw Pack, 2400, 5100, 5200, 03240-09-SST	8-5	<b>T</b>	
Screw Pack, 4 Cover Screws, 02102-09 .....	8-3	Tail Piece, Reliant Trim, 00192-50 .....	3-5
Screw Pack, 811 Mullion Assembly, 02856-07	8-2	TDS - Double Switch Monitor, 00310-06 ...	8-2
Screw Pack, 822 Mullion, 02857-07 .....	8-2	Top Latch Assembly, SVR, 00296-03 .....	7-4
Screw Pack, Grip Bottom Screw, 02120-09	8-4	Top Latch Kit, SVR, 01002-03 .....	7-4
Screw Pack, Cylinder Dogging, 02105-09 ..	8-4	Top Rod SVR Kit, 01860-03 .....	7-4
Screw Pack, Endcap Bracket, 02103-09-000	8-3	Top Rod SVR Kit, 01861-03 .....	7-4
Screw Pack, Endcap Screws, 02104-09 .....	4-3, 8-3	Top Rod SVR Kit, 01863-03 .....	7-4
Screw Pack, Guide Strap, 02113-09 .....	8-4	Top Rod, SVR, 00546-53 .....	7-4
Screw Pack, Latchbolt Cover, 02109-09 ...	8-4	Top Rod, SVR, 00547-53 .....	7-4
Screw Pack, Surface Latch, 02112-09-000 ..	8-4	Top Rod, SVR, 00549-53 .....	7-4
Screw Pack, Surface Latch, 1/4-20, 02845-09	8-5	Touch Bar Lever, 00279-51 .....	6-2, 6-3
Screw Pack, Surface Latch, 1/4-20, 02845-09	7-3, 7-4	Touchbar Guide, 02130-52 .....	5-2
Shim, Strike, 00232-58 .....	7-2, 8-3	Touchbar Lever Guard, 00626-51 .....	6-2, 6-3
Spacer, Mullion, MCS822 .....	8-2	Touchpad Sub-assembly, 00160-02 .....	4-2
Spindle Hub, Reliant Trim, 00214-50 .....	3-5	Touchpad Sub-assembly, 00162-02 .....	4-2
Spring Clip, 01237-53 .....	7-3, 7-4	Transom Bracket for S300 Strike, 00453-53	8-3
Spring, Deadlock Release, 00146-89 .....	6-2	Trim Stud, 00233-54 .....	3-3
Spring, Latchbolt, 00385-89 .....	6-2	TS - Monitoring Assembly, 00309-06 .....	8-2