

# Rim Device 5100 Series x 808A, 814A Trim Aluminum Door

Trim Series: 808, 814

Device Series: 5100

Strike: S988

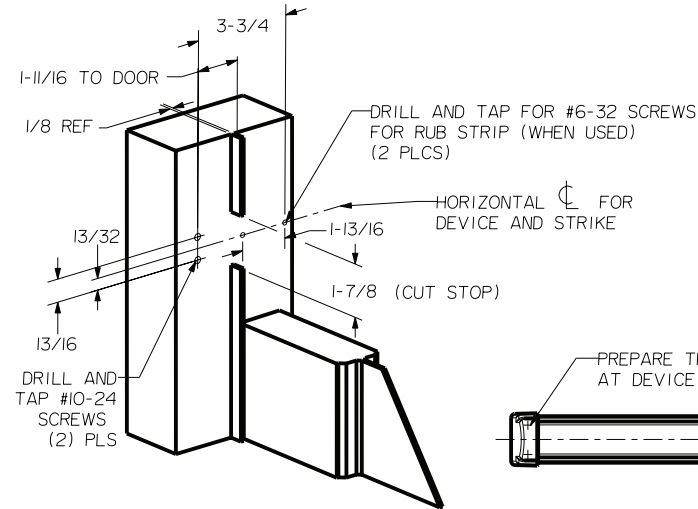


For online instructions, assistance or warranty information:  
Call 1-800-392-5209 or visit <https://dhwsupport.dormakaba.com/hc/en-us>

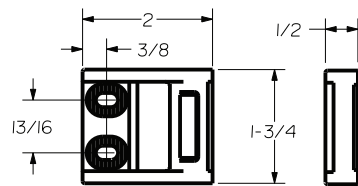
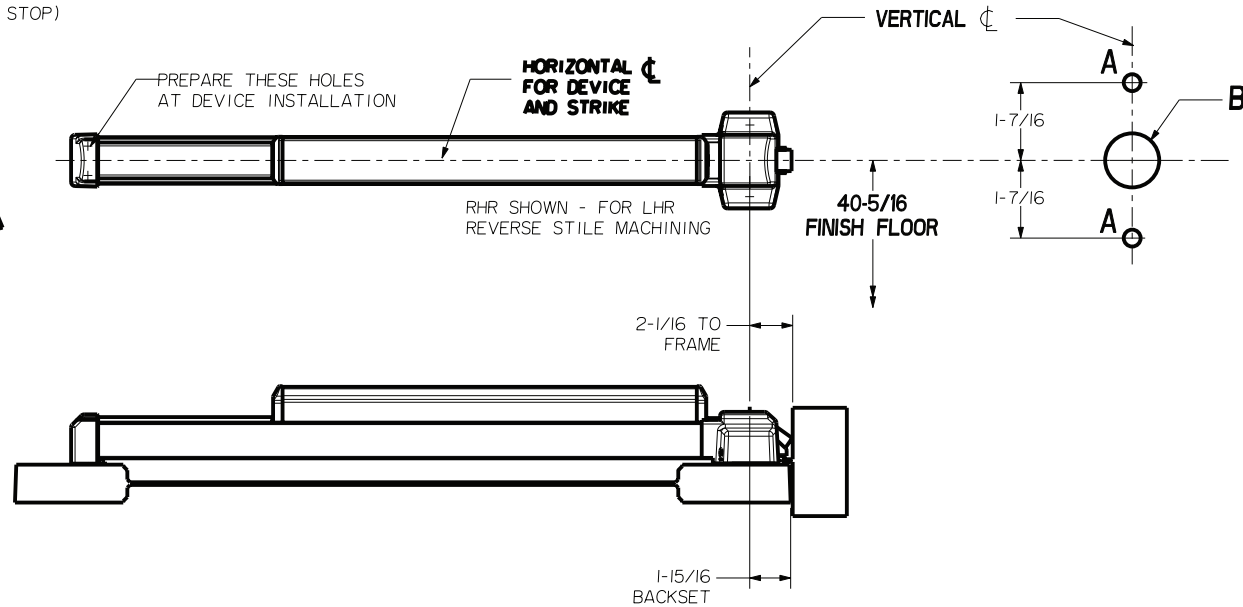
DEVICES	TRIMS	HOLE A (2) PLS	HOLE B
508	808	5/16 DIA THRU DOOR	1" DIA. THRU DOOR
514	814		

### SEX BOLT MACHINING

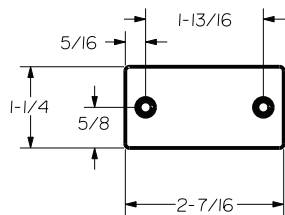
DRILL 1/4 DIA. INSIDE  
DRILL 3/8 DIA. OUTSIDE



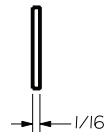
### LOCK STILE MACHINING



ROLLER STRIKE S988  
(STANDARD)



RUB STRIP S454  
(STANDARD)



ALUMINUM DOOR AND FRAME WITH BLADE OR APPLIED STOP		
MIN. STILES	DEVICE SIZE	DOOR WIDTH
3-3/4"	3'-0"	2'-6" TO 2'-11"
	4'-0"	3'-0" TO 3'-11"
4-1/4" OR FLUSH DOOR	3'-0"	2'-7" TO 3'-0"
	4'-0"	3'-1" TO 4'-0"