

Rim Device 5100 & FL5100 Series x 501, 602, 603, 702, 703 Trim Hollow Metal Door

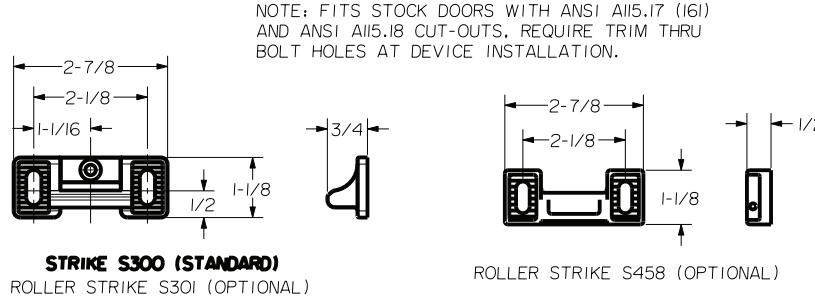
Trim Series: Exit Only, CYL Only 501, 602, 603, 702, 703
Device Series: 5100, FL5100
Strike: S300, S301, S458

For online instructions, assistance or warranty information:
Call 1-800-392-5209 or visit <https://dhwsupport.dormakaba.com/hc/en-us>

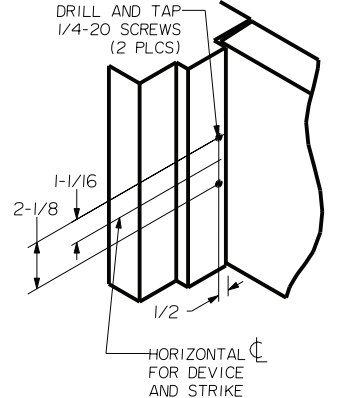
REINFORCEMENT REQUIREMENTS
PROVIDE ADEQUATE REINFORCEMENT TO METAL COVERED COMPOSITE AND HOLLOW METAL DOORS FOR THE DRILLING AND TAPPING FOR THE MACHINE SCREWS.

SEX NUTS AND BOLTS
SEX BOLTS ARE REQUIRED FOR PLASTIC, WOOD, METAL COVERED COMPOSITE AND HOLLOW METAL DOORS WITHOUT REINFORCEMENT

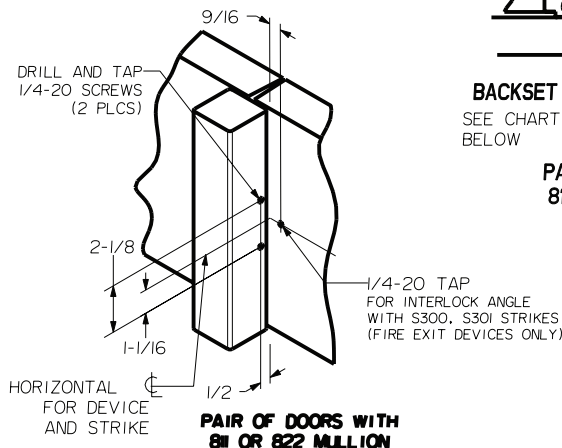
SEX BOLT MACHINING
DRILL 1/4 DIA. INSIDE
DRILL 3/8 DIA. OUTSIDE



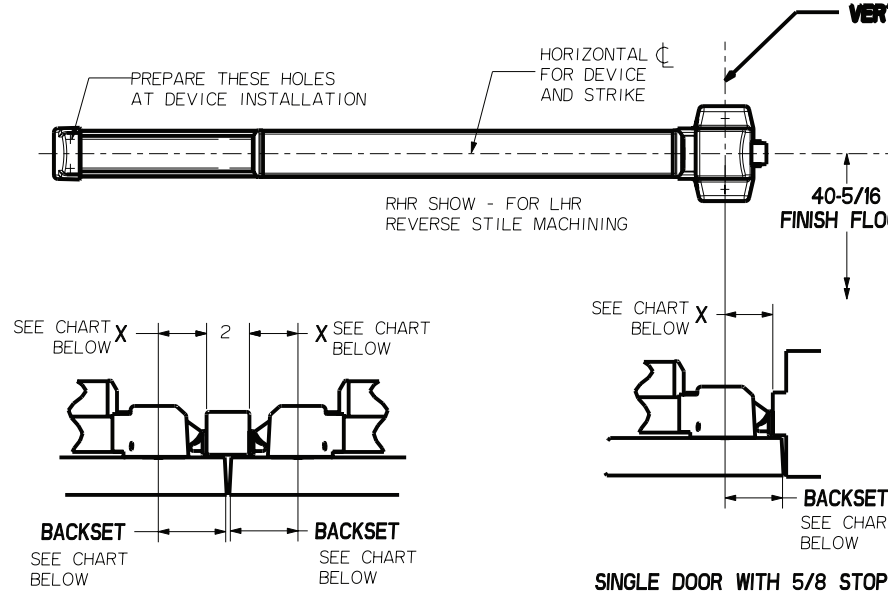
DEVICES	TRIMS	HOLE A (2) PLS	HOLE B
501.FL501	EXIT ONLY	#10-24 TAP INSIDE ONLY	NO
503.FL503	CYL ONLY		1-3/16 DIA. OUTSIDE 1-3/8 DIA. INSIDE
501.FL501	501	5/16 DIA. THRU	NO
502.FL502	602		NO
503.FL503	603		1-3/8 DIA THRU
502.FL502	702		NO
503.FL503	703		1-3/8 DIA THRU



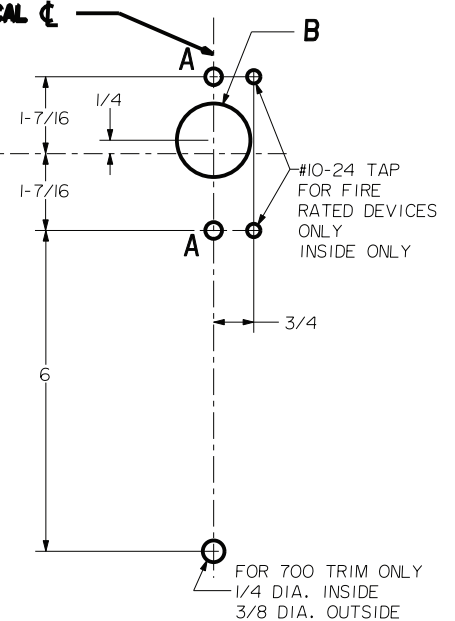
SINGLE DOOR WITH 5/8 STOP



PAIR OF DOORS WITH 811 OR 822 MULLION



LOCK STILE MACHINING



STRIKE	APPLICATION	BACKSET	MIN. STILE	DIM X
S300 S301	SINGLE DOOR	2-3/4	4-1/2	2-1/4
	PAIR OF DOORS	3-1/8	4-7/8	
S458	SINGLE DOOR	2-9/16	4-1/4	2-1/16
	PAIR OF DOORS	2-15/16	4-5/8	