

Fail Safe/Fail Secure Conversion | Mortise Lock Series: EM303, EM303F, LSEM303, LSEM303F Instructions

TOOLS NEEDED:

Phillips screwdriver

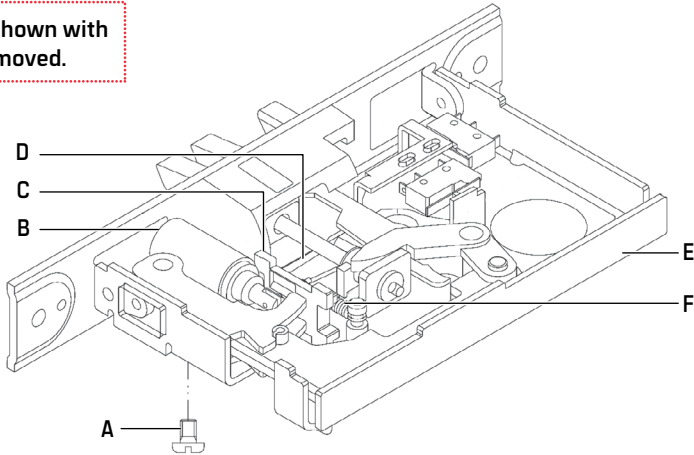


OVERVIEW

- A** Solenoid mounting screw
- B** Solenoid
- C** Electric lock slide (shown in fail safe)
- D** Actuator
- E** Lock case
- F** Electric lock spring

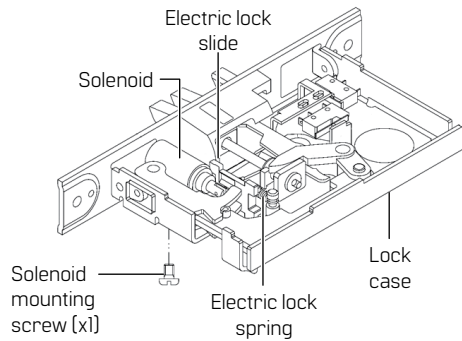
Mortise lock shown with lock cover removed.

RHRB shown



1 CONVERTING MORTISE LOCK

Figure 1



- 1.1 Remove solenoid mounting screw from bottom of lock case.
- 1.2 Remove three screws from lock cover, then remove lock cover, not shown.
- 1.3 Disconnect electric lock spring, then remove solenoid and electric lock slide.

Figure 2

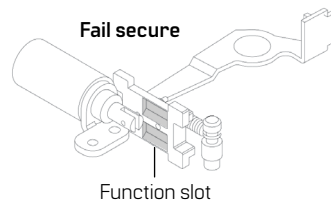
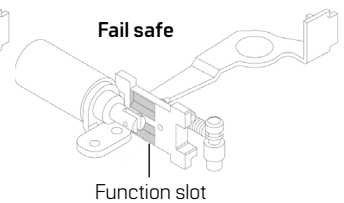


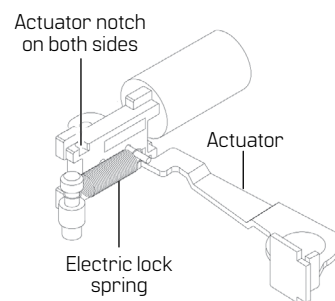
Figure 3



- 1.4 Rotate electric lock slide to achieve desired function, as shown in Fig. 2 and Fig. 3.

Fail secure: Function slots positioned away from solenoid.
Fail safe: Function slots positioned toward solenoid.

Figure 4



- 1.5 Reinstall solenoid with its pin in electric lock slide, while positioning actuator into its notch, as shown in Fig. 4.
- 1.6 Re-install solenoid mounting screw.
- 1.7 Attach electric lock spring.
- 1.8 Re-install lock cover and secure with three screws.



Document translations available.
Scan for product details and downloads.
Call 1-800-392-5209 or visit
<https://dhwsupport.dormakaba.com/hc/en-us>
for assistance and warranty information.

⚠ WARNING! This Manufacturer advises that no lock can provide complete security by itself. This lock may be defeated by forcible or technical means, or evaded by entry elsewhere on the property. No lock can substitute for caution, awareness of your environment, and common sense. Builder's hardware is available in multiple performance grades to suit the application. In order to enhance security and reduce risk, you should consult a qualified locksmith or other security professional.