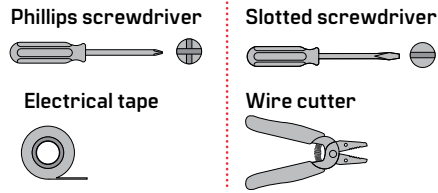
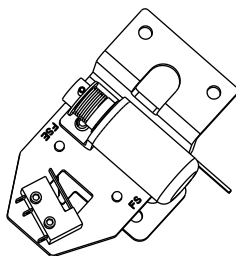


Electric Rim Device Lock/Unlock E-2103K Fail Safe/Fail Secure Conversion Kit Installation Instructions

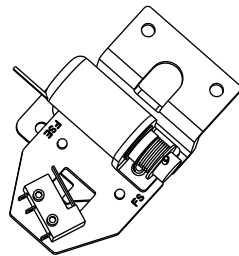
TOOLS NEEDED:



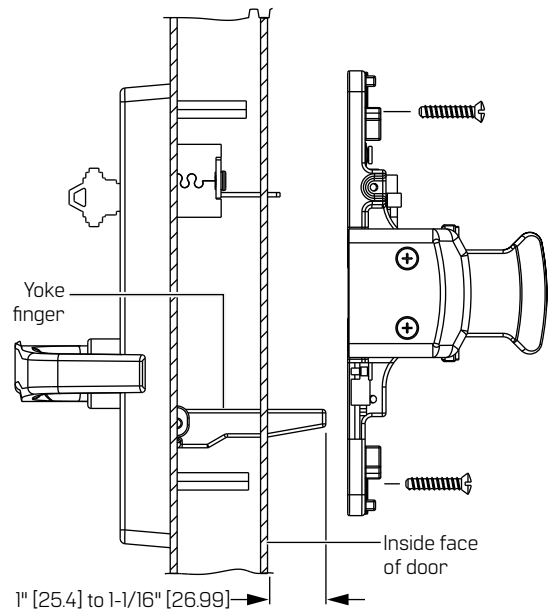
OVERVIEW



Fail secure
(Power off = Trim locked)



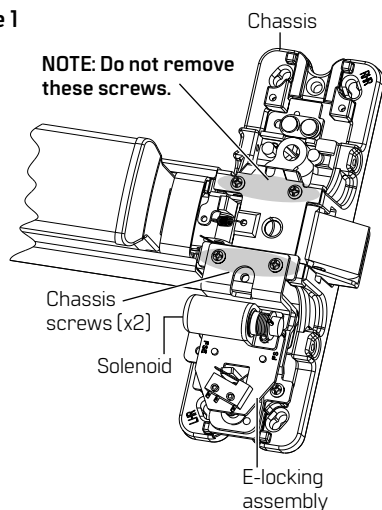
Fail safe
(Power off = Trim unlocked)



1 REMOVING E-LOCKING ASSEMBLY

- 1.1 Remove two chassis screws to detach E-locking assembly, as shown in Fig. 1.

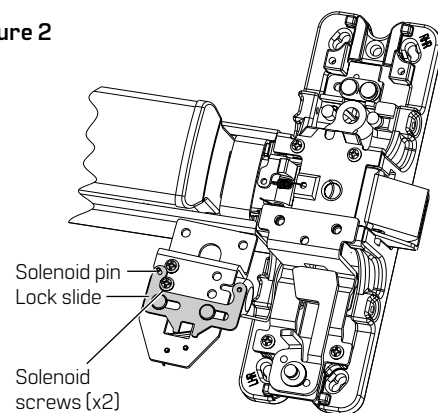
Figure 1



2 REMOVING SOLENOID SCREWS/SOLENOID PIN AND REINSTALLING E-LOCKING ASSEMBLY

- 2.1 Remove two solenoid screws and slide solenoid pin out of lock slide, as shown in Fig. 2.
- 2.2 Reinstall solenoid pin on opposite side of lock slide with two solenoid screws.
- 2.3 Reattach E-locking assembly with two chassis screws.

Figure 2



Document translations available.
Scan for product details and downloads.
Call 1-800-392-5209 or visit
<https://dhwsupport.dormakaba.com/hc/en-us>
for assistance and warranty information.

⚠ WARNING! This Manufacturer advises that no lock can provide complete security by itself. This lock may be defeated by forcible or technical means, or evaded by entry elsewhere on the property. No lock can substitute for caution, awareness of your environment, and common sense. Builder's hardware is available in multiple performance grades to suit the application. In order to enhance security and reduce risk, you should consult a qualified locksmith or other security professional.