

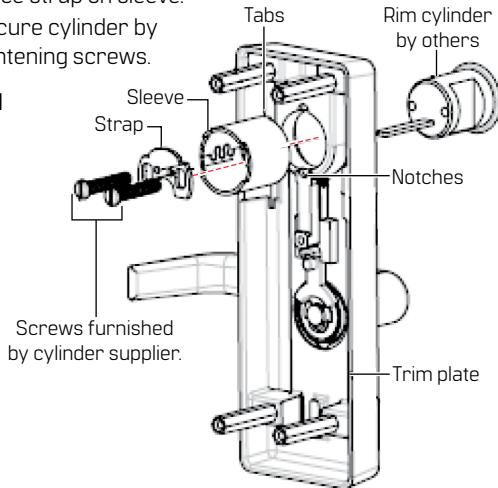
TOOLS NEEDED: Slotted screwdriver



1 INSTALLING A RIM CYLINDER

- 1.1 See appropriate template for door preparation.
- 1.2 Insert rim cylinder into trim.
- 1.3 Position sleeve by placing tabs into notches in trim plate.
- 1.4 Place strap on sleeve.
- 1.5 Secure cylinder by tightening screws.

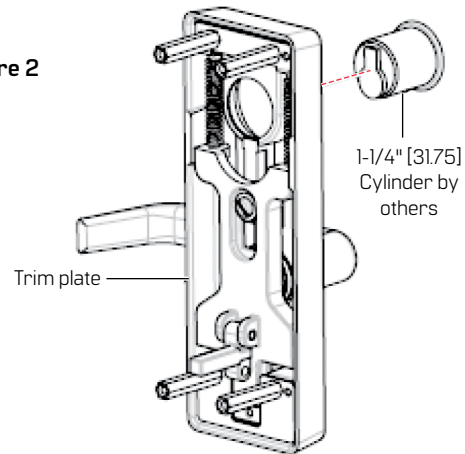
Figure 1



2 INSTALLING A MORTISE CYLINDER

- 2.1 See appropriate template for door preparation.
- 2.2 Thread cylinder into mortise lock through trim assembly.
- 2.3 Secure with screw through mortise lock front.

Figure 2



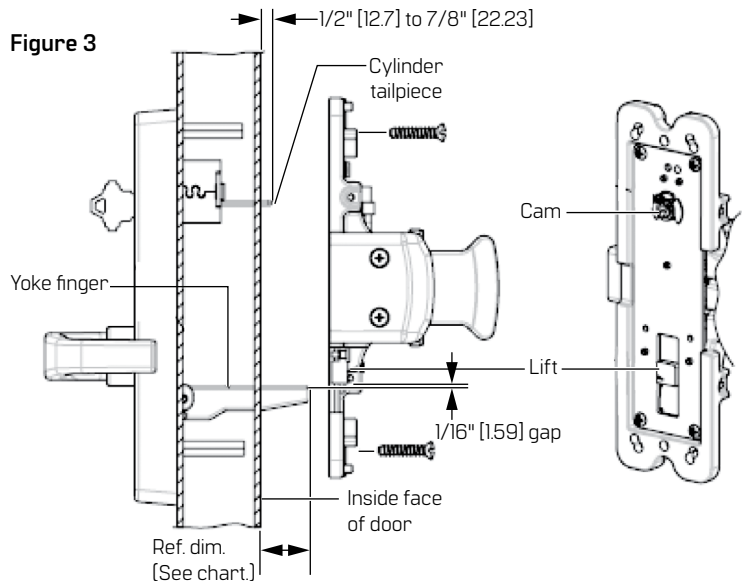
3 INSTALLING TRIM

- 3.1 See appropriate template for door preparation.
- For devices with cylinder function**
- 3.2 Insert cylinder tailpiece into cam.
- For devices with active lever or knob**
- NOTE: Ensure yoke finger is under lift with 1/16" [1.59] gap.**
- 3.3 Secure chassis to trim with screws.

NOTE: Reference dimension does not apply to mortise device trims.

Device type	Door thickness	Reference dimension
Touchbar device	1-3/4" [44.45]	1-1/16" [26.99]
	2" [50.8]	13/16" [20.64]
	2-1/4" [57.15]	9/16" [14.29]
Crossbar device	1-3/4" [44.45]	1/2" [12.7]
	2" [50.8]	1/4" [6.35]
	2-1/4" [57.15]	Flush

Figure 3



Document translations available.
Scan for product details and downloads.
Call 1-800-392-5209 or visit
<https://dhwsupport.dormakaba.com/hc/en-us>
for assistance and warranty information.

⚠ WARNING! This Manufacturer advises that no lock can provide complete security by itself. This lock may be defeated by forcible or technical means, or evaded by entry elsewhere on the property. No lock can substitute for caution, awareness of your environment, and common sense. Builder's hardware is available in multiple performance grades to suit the application. In order to enhance security and reduce risk, you should consult a qualified locksmith or other security professional.