

# Surface Vertical Rod Device 2200 & FL2200 Series x 1700 & 4900 Trim Hollow Metal Door

Trim Series: Exit Only, CYL Only, 1700, 4900  
 Device Series: 2200, FL2200, 2200LBR, FI2200LBR  
 Strike: S300, S301, S460

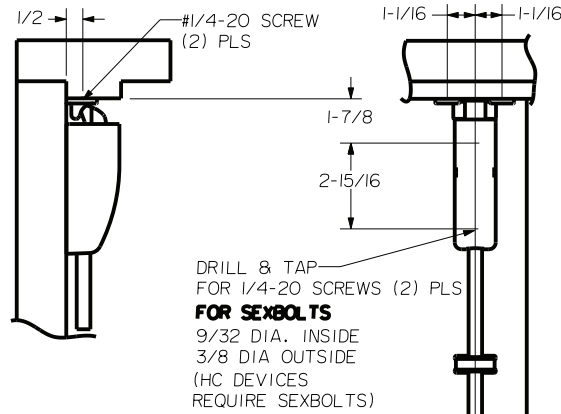


For online instructions, assistance or warranty information:  
 Call 1-800-392-5209 or visit <https://dhwsupport.dormakaba.com/hc/en-us>

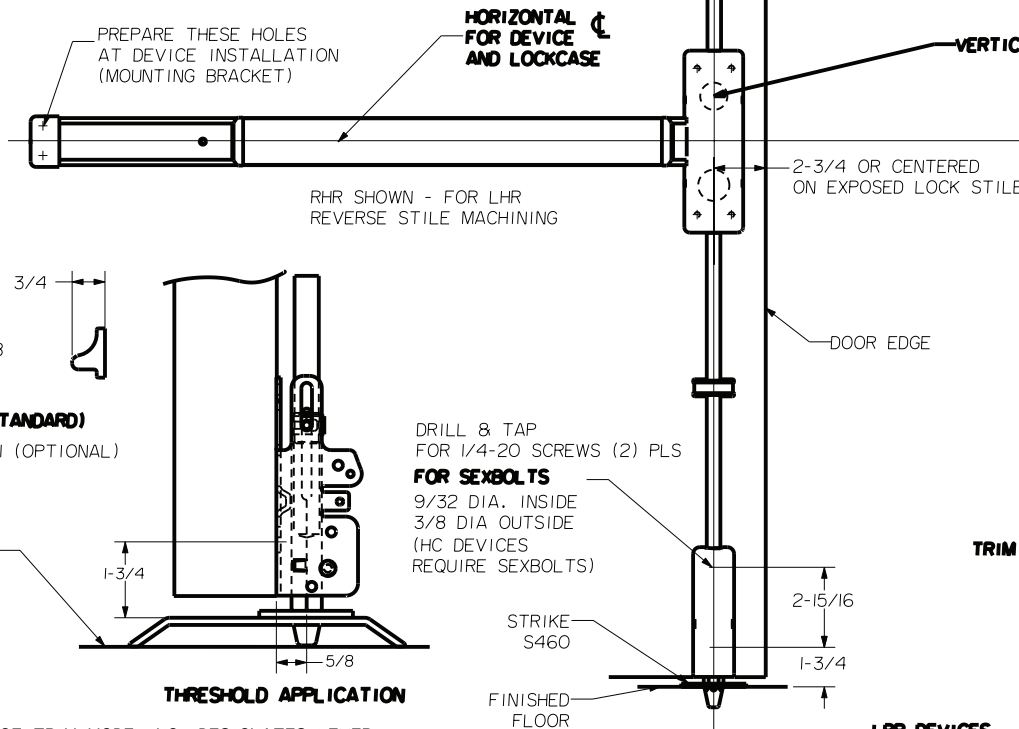
**REINFORCEMENT REQUIREMENTS**  
 PROVIDE ADEQUATE REINFORCEMENT TO METAL COVERED COMPOSITE AND HOLLOW METAL DOORS FOR THE DRILLING AND TAPPING FOR THE MACHINE SCREWS.

**SEX NUTS AND BOLTS**  
 SEX BOLTS ARE REQUIRED FOR PLASTIC, WOOD, METAL COVERED COMPOSITE AND HOLLOW METAL DOORS WITHOUT REINFORCEMENT

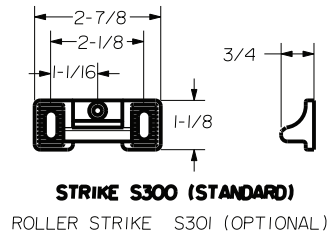
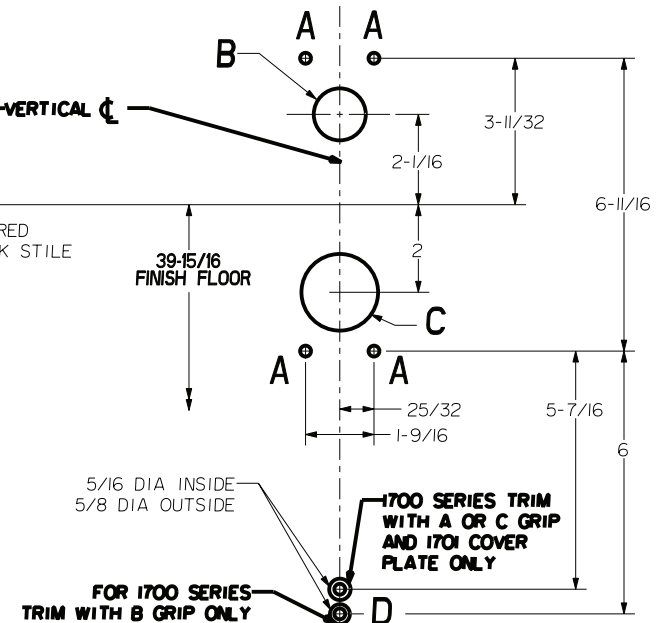
**SEX BOLT MACHINING**  
 HOLE "A" (4) PLS AND MOUNTING BRACKET  
 DRILL 1/4 DIA INSIDE  
 DRILL 3/8 DIA OUTSIDE



HOLE (4) PLS A	DEVICES	TRIMS	HOLE B	HOLE C
#10-24 TAP INSIDE ONLY	<b>2201.FL2201</b>	EXIT ONLY	NO	NO
	<b>2203.FL2203</b>	CYL ONLY	1-3/8 DIA INSIDE 1-3/16 DIA OUTSIDE	
1/4 DIA INSIDE 3/8 DIA OUTSIDE	<b>2201.FL2201</b>	1701, 4901	NO	1-3/4 DIA THRU DOOR
	<b>2202.FL2202</b>	1702, 4902	NO	
	<b>2203.FL2203</b>	1703, 4903		
	<b>2205.FL2205</b>	1705		
	<b>2208.FL2208</b>	4908, V4908		
	<b>2214.FL2214</b>	4914		
	<b>2215.FL2215</b>	1715	NO	



## LOCK STILE MACHINING



NOTE:  
 "LETTER" AT END OF TRIM MODEL NO. DESIGNATES LEVER OR GRIP STYLE. EXCEPT AS NOTED, LEVER OR GRIP STYLE HAS NO EFFECT ON STILE MACHINING.

**LBR DEVICES:**  
 OMIT BOTTOM BOLT MACHINING.  
 FIRE BOLT REQ'D FOR FL DEVICES