

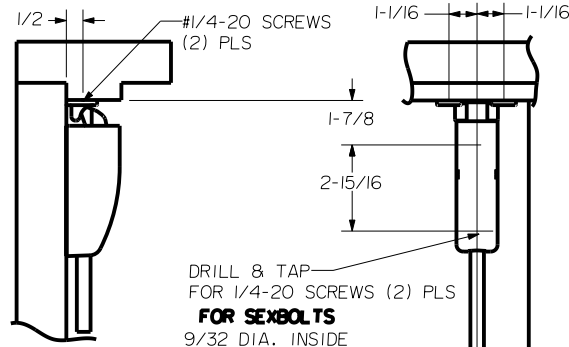
Apex 22 Installation Specifications

For online instructions, assistance or warranty information:
Call 1-800-392-5209 or visit <https://dhwsupport.dormakaba.com/hc/en-us>

REINFORCEMENT REQUIREMENTS
PROVIDE ADEQUATE REINFORCEMENT TO METAL COVERED COMPOSITE AND HOLLOW METAL DOORS FOR THE DRILLING AND TAPPING OF THE MACHINE SCREWS.

SEX NUTS AND BOLTS
SEX BOLTS ARE REQUIRED FOR PLASTIC, WOOD, METAL COVERED COMPOSITE AND HOLLOW METAL DOORS WITHOUT REINFORCEMENT

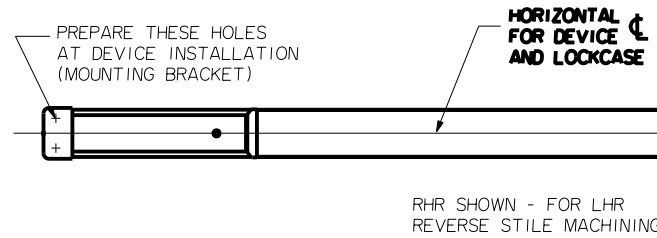
SEX BOLT MACHINING
HOLE "A" (4) PLS AND MOUNTING BRACKET
DRILL 1/4 DIA INSIDE
DRILL 3/8 DIA OUTSIDE



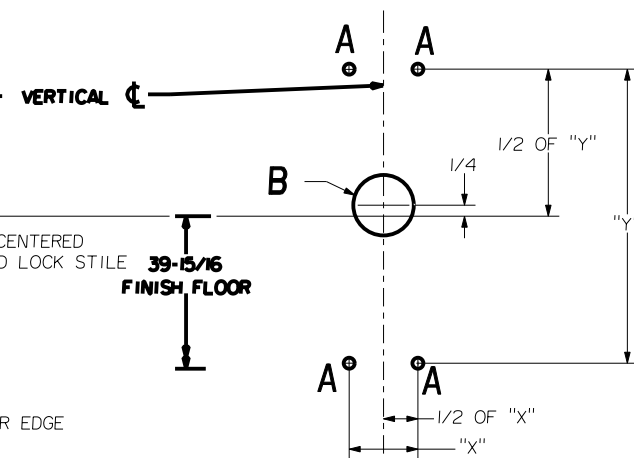
DRILL & TAP FOR 1/4-20 SCREWS (2) PLS
FOR SEXBOLTS
9/32 DIA. INSIDE
3/8 DIA OUTSIDE
(HC DEVICES REQUIRE SEXBOLTS)

HOLE (4) PLS A	DEVICES	TRIMS	HOLE B
#10-24 TAP INSIDE ONLY	22. FL22	CYL ONLY	1-3/16 DIA. OUTSIDE 1-3/8 DIA. INSIDE
1/4 DIA INSIDE	22. FL22	SEE TRIM INSTRUCTIONS	1" DIA. MIN.

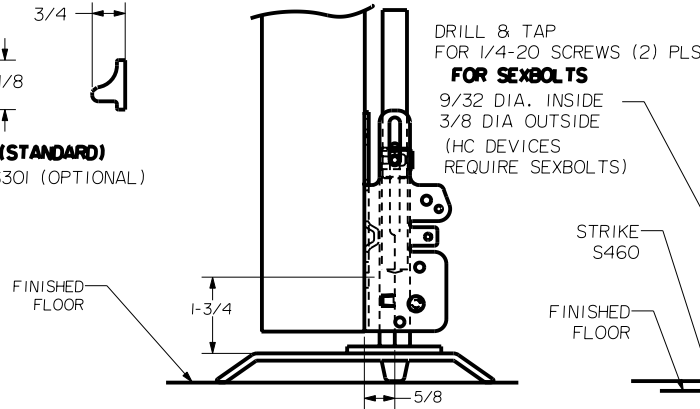
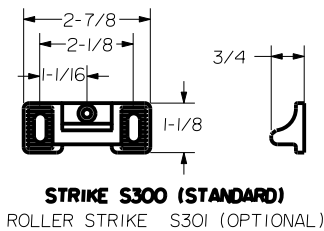
NOTE: THIS DEVICE IS COMPATIBLE WITH OTHER MANUFACTURERS ACCESS CONTROL EXTERIOR TRIM. REFER TO INSTRUCTIONS FOR MOUNTING OF TRIM.



LOCK STILE MACHINING



"X" DIM	"Y" DIM
1-9/16"	6-11/16"
ALTERNATE HOLES	
1-3/8"	7"



THRESHOLD APPLICATION

LBR DEVICES:
OMIT BOTTOM BOLT MACHINING.
FIRE BOLT REQ'D FOR FL DEVICES
SEE DRAWING 0297-II-000 FOR DETAILS

Not to scale I.I. Measurements are for reference only.
Not a drilling template.