

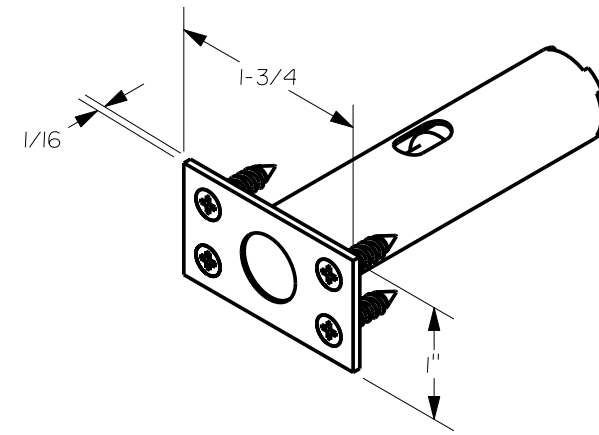
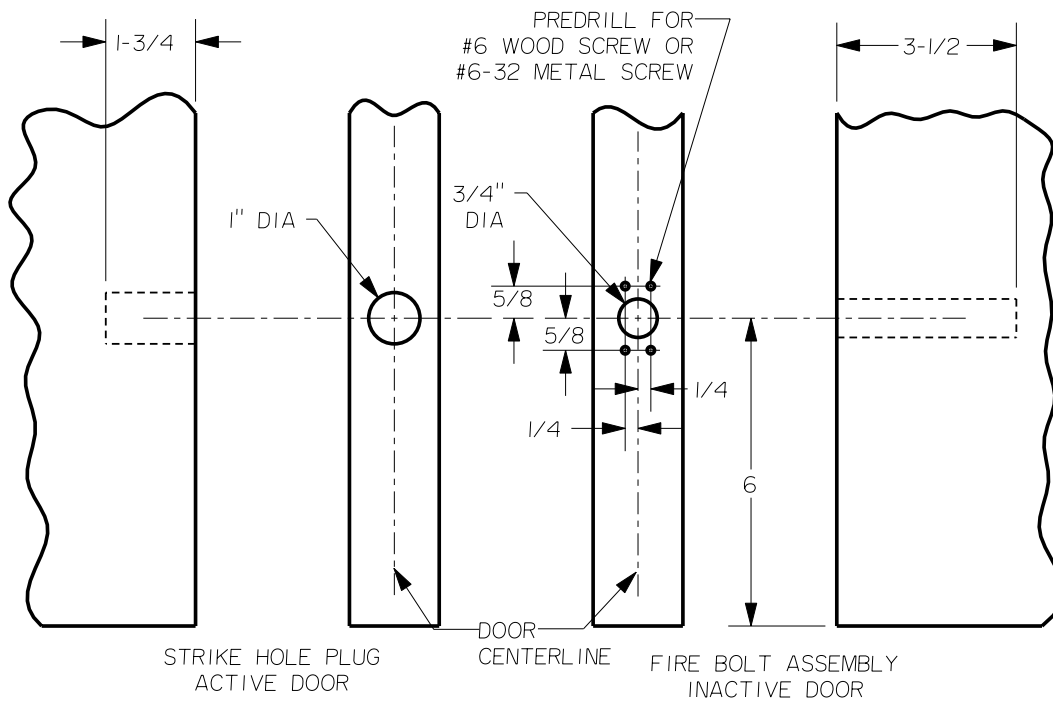
Installation Instructions: Fire Bolt For Less Bottom Rod

For online instructions, assistance or warranty information:
Call 1-800-392-5209 or visit <https://dhwsupport.dormakaba.com/hc/en-us>

1. PREPARE BOTH ACTIVE AND INACTIVE DOORS AS SHOWN BELOW
2. INSERT FIRE BOLT ASSY IN 3/4 DIA HOLE IN INACTIVE DOOR
SECURE IN PLACE WITH (4) #6 X 3/4 DIA FH WOOD SCREW OR
#6-32 FH METAL SCREW
3. INSTALL BLACK STRIKE HOLE PLUG IN 1" DIA HOLE IN ACTIVE DOOR



STRIKE HOLE PLUG



FIRE BOLT ASSEMBLY
FB277

DIMENSIONS PROVIDED IF DOOR
MANUFACTURER DESIRES TO MORTISE LIP