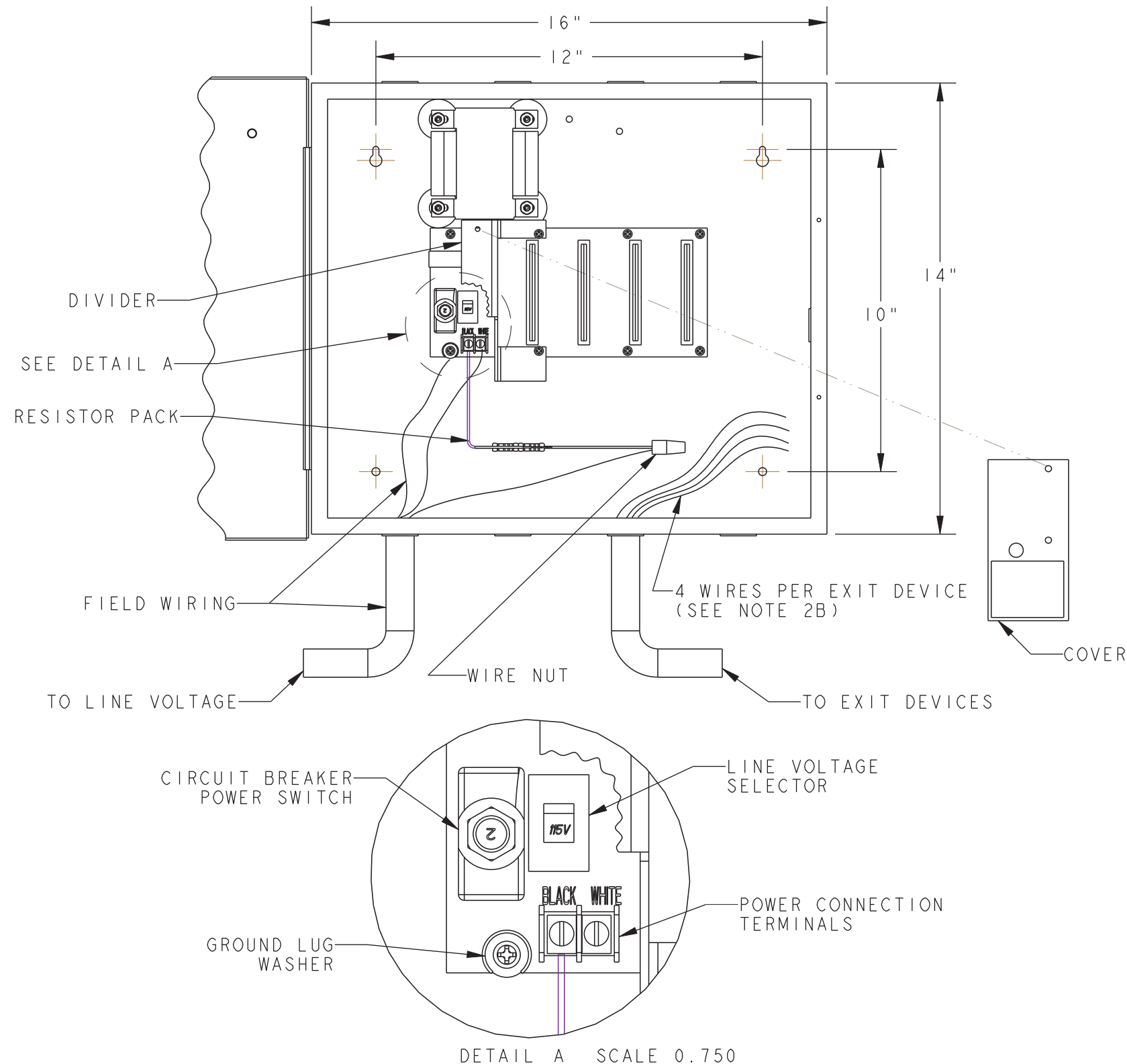


Installation Instructions for the ELR-150 Power Supply

For online instructions, assistance or warranty information:
Call 1-800-392-5209 or visit <https://dhwsupport.dormakaba.com/hc/en-us>



1. BEFORE INSTALLATION -
 - A. DISCONNECT POWER AND USE ONLY WITH PRECISION HARDWARE DEVICES
2. MOUNT THE ENCLOSURE -
 - A. MOUNT ENCLOSURE SECURELY TO THE WALL USING THE DIMENSIONS PROVIDED.
 - B. RUN 2 BLACK AND 2 WHITE WIRES, OF THE PROPER GAGE (SEE MAXIMUM WIRE RUN CHART BELOW), FROM EACH DOOR TO THE POWER SUPPLY (ENTERING THROUGH THE ELECTRICAL KNOCKOUTS).
3. SELECT THE LINE VOLTAGE -
 - A. THE INPUT VOLTAGE SHOULD BE EITHER 115 VAC, 1.2 AMPS, 50/60 HZ OR 230 VAC, 0.7 AMPS, 50/60 HZ.
 - B. SELECT 115 VAC OR 230 VAC ON THE LINE VOLTAGE SELECTOR (SEE DETAIL VIEW "A") PER THE INPUT VOLTAGE.
4. CONNECT THE GROUND -
 - A. CONNECT THE GROUND WIRE BY CLAMPING IT UNDERNEATH THE GROUND LUG WASHER (SEE DETAIL VIEW "A").
5. CONNECT THE POWER -
 - A. CONNECT THE RESISTOR PACK TO THE POWER CONNECTOR TERMINAL LABELED BLACK (SEE DETAIL VIEW "A").
 - B. CONNECT THE HOT (BLACK WIRE) TO THE RESISTOR PACK WIRE WITH A WIRE NUT.
 - C. CONNECT THE NEUTRAL (WHITE WIRE) TO THE POWER CONNECTOR TERMINAL LABELED WHITE (SEE DETAIL VIEW "A").
 - D. MOUNT THE COVER PLATE WITH TWO #8-16 X 3/8" PPHSMS PROVIDED AND THE CIRCUIT BREAKER MOUNTING NUT.
6. AFTER INSTALLATION -
 - A. TO WIRE THE EXIT DEVICES, REFER TO THE CONTROL MODULE INSTALLATION INSTRUCTIONS: # O213I-II
 - B. TO WIRE THE BATTERY BACK-UP MODULE, REFER TO THE BATTERY BACK-UP INSTALLATION INSTRUCTIONS: # O2202-II

SYSTEM REQUIREMENTS FOR THE ELR-150 POWER SUPPLY:

1. MINIMUM SYSTEM REQUIRES: ONE ELR-150 POWER SUPPLY AND ONE CM-150-08 CONTROL MODULE.
2. MAXIMUM SYSTEM USES: ONE ELR-150 POWER SUPPLY AND FOUR CM-150-08 CONTROL MODULES AND ONE BT-150-07 BATTERY BACK-UP MODULE.

MAXIMUM WIRE RUN		
WIRE GAGE	WITH 22 GAGE POWER TRANSFER	WITH 28 GAGE POWER TRANSFER
16	75 ft.	55 ft.
14	125 ft.	75 ft.
12	200 ft.	-----

THIRD ANGLE PROJECTION CTO'S TO BE INTREPRETED () ACCORDING TO SP02.3.BAS	SPECIFICATIONS ARE TO BE INTERPRETED ACCORDING TO ASME Y14.5-1994. SCALE 0.250
---	--