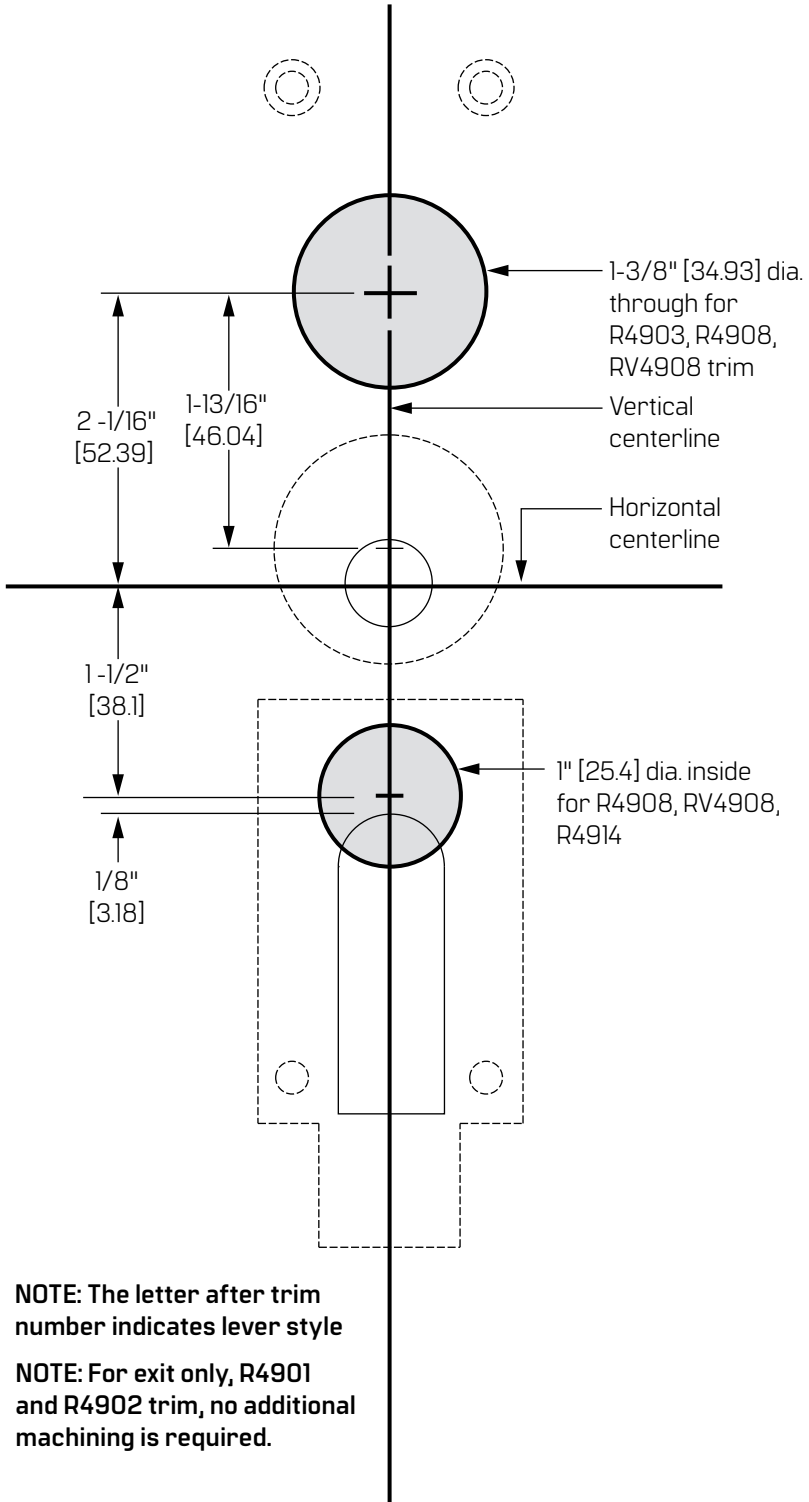


**R4900 Series – 98/99 Series Rim  
Device, 9827/9927 Series SVR Device**

**\*Trim for Von Duprin Retrofit Application**

For online instructions, assistance or warranty information:  
Call 1-800-392-5209 or visit <https://dhwsupport.dormakaba.com/hc/en-us>



**NOTE: The letter after trim number indicates lever style**

**NOTE: For exit only, R4901 and R4902 trim, no additional machining is required.**

Not to scale. Measurements are for reference only.  
Not a drilling template.